



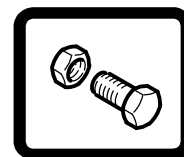
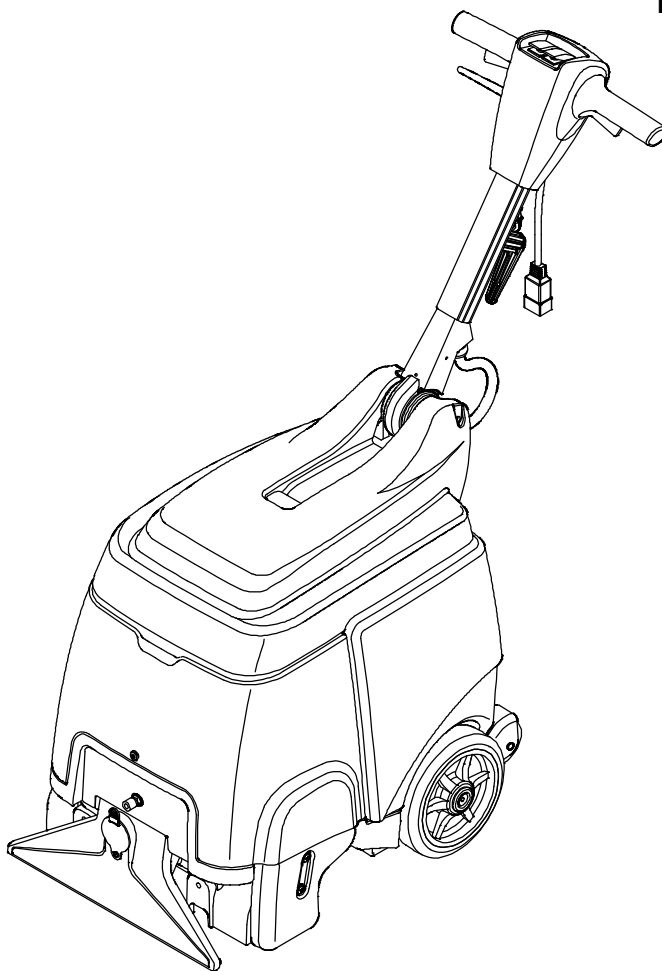
Model 9004201 – 120V

# SPEED EX™

PORTABLE CARPET EXTRACTOR

(S/N 10000000–20000000)

## PARTS MANUAL

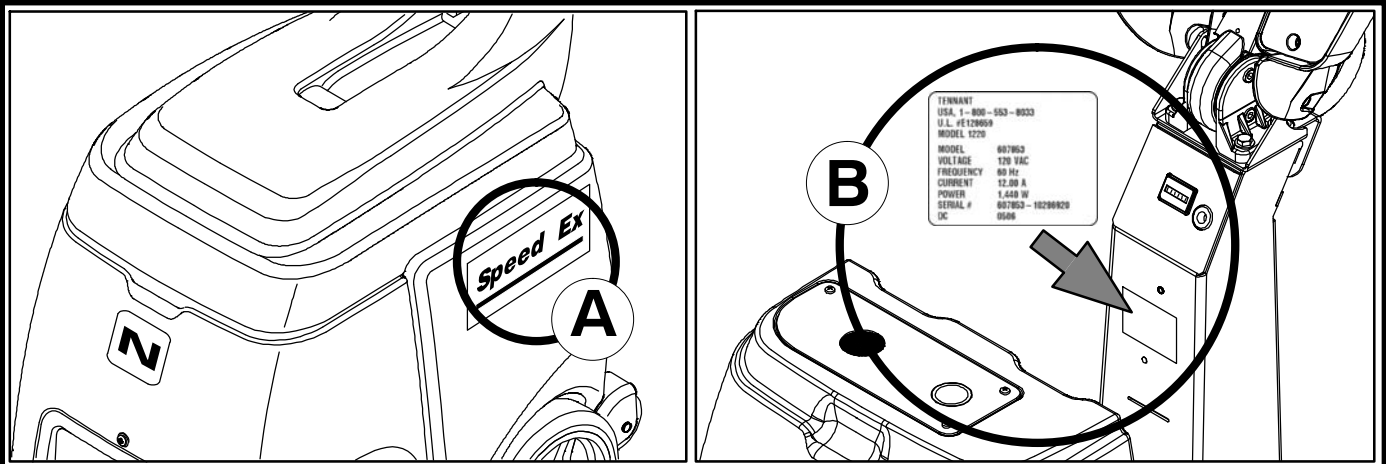


For the latest Parts manuals and other language Operator manuals, visit:

[www.nobles.com/manuals](http://www.nobles.com/manuals)

9006289  
Rev. 06 (09-2018)





Ref	Part No.	Serial Number	Description	Qty.
1	82681	(000000— )	Bracket Wldt, Lpg Mount	1
▽ 2	63810	(000000— )	Latch Assy, Lpg Tank Mtg, W/Nut	4
▲ 3	51839	(000000— )	Nut Adjustable, Lpg Tank Mtg	2
4	49263	(000000— )	Tie, Cable	3
(D)	82556	(000000—001039)	Bracket, Vaporizer	1
	54930	(000000— )	Vaporizer, LPG	1

**HOW TO ORDER PARTS – See diagram above**

Only use TENNANT Company supplied or equivalent parts. Parts and supplies may be ordered online, by phone, by fax or by mail.

Follow the steps below to ensure prompt delivery.

1. (A) Identify the machine model.
2. (B) Identify the machine serial number from the data label.
3. (C) Ensure the proper serial number is used from the parts list.
4. Identify the part number and quantity.  
Do not order by page or reference numbers.
5. Provide your name, company name, customer ID number, billing and shipping address, phone number and purchase order number.
6. Provide detail shipping instructions.

- (D) ▽ – identifies an assembly  
 ▲ – identifies parts included in assembly

**Please fill out at time of installation for future reference.**

Model No. – \_\_\_\_\_

Serial No. – \_\_\_\_\_

Machine Options – \_\_\_\_\_

Sales Rep. – \_\_\_\_\_

Sales Rep. phone no. – \_\_\_\_\_

Customer ID Number – \_\_\_\_\_

Installation Date – \_\_\_\_\_

**Tennant Company**  
 PO Box 1452  
 Minneapolis, MN 55440  
 Phone: (800) 553-8033  
 www.nobles.com

Specifications and parts are subject to change without notice.

Copyright © 2009–2018 TENNANT Company, Printed in U.S.A.

**RECOMMENDED MAINTENANCE ITEMS**

GENERAL RECOMMENDED MAINTENANCE  
ITEMS ..... 5

**STANDARD PARTS**

HANDLE GROUP ..... 6  
FRAME GROUP ..... 8  
TANKS AND SHROUD GROUP ..... 10  
TANK COVER GROUP ..... 12  
VACUUM FAN GROUP ..... 14  
SOLUTION GROUP ..... 16  
SCRUB HEAD GROUP ..... 18  
ELECTRICAL DIAGRAM  
(S/N 10630442- ) ..... 20  
ELECTRICAL DIAGRAM  
(S/N 10000000-10630441) ..... 21

**OPTIONS**

FLOOR TOOL GROUP, 8 in / 203 mm  
(NEW STYLE) ..... 22  
FLOOR TOOL GROUP, 8 in / 203 mm  
(OLD STYLE) ..... 24  
HAND TOOL GROUP, 4 in / 101 mm  
(NEW STYLE) ..... 26  
HAND TOOL GROUP, 4 in / 101 mm  
(OLD STYLE) ..... 27  
PUMP-UP CARPET SPRAYER ..... 28  
DOCUMENTATION GROUP ..... 29

**RECOMMENDED MAINTENANCE ITEMS**

---

# RECOMMENDED MAINTENANCE ITEMS

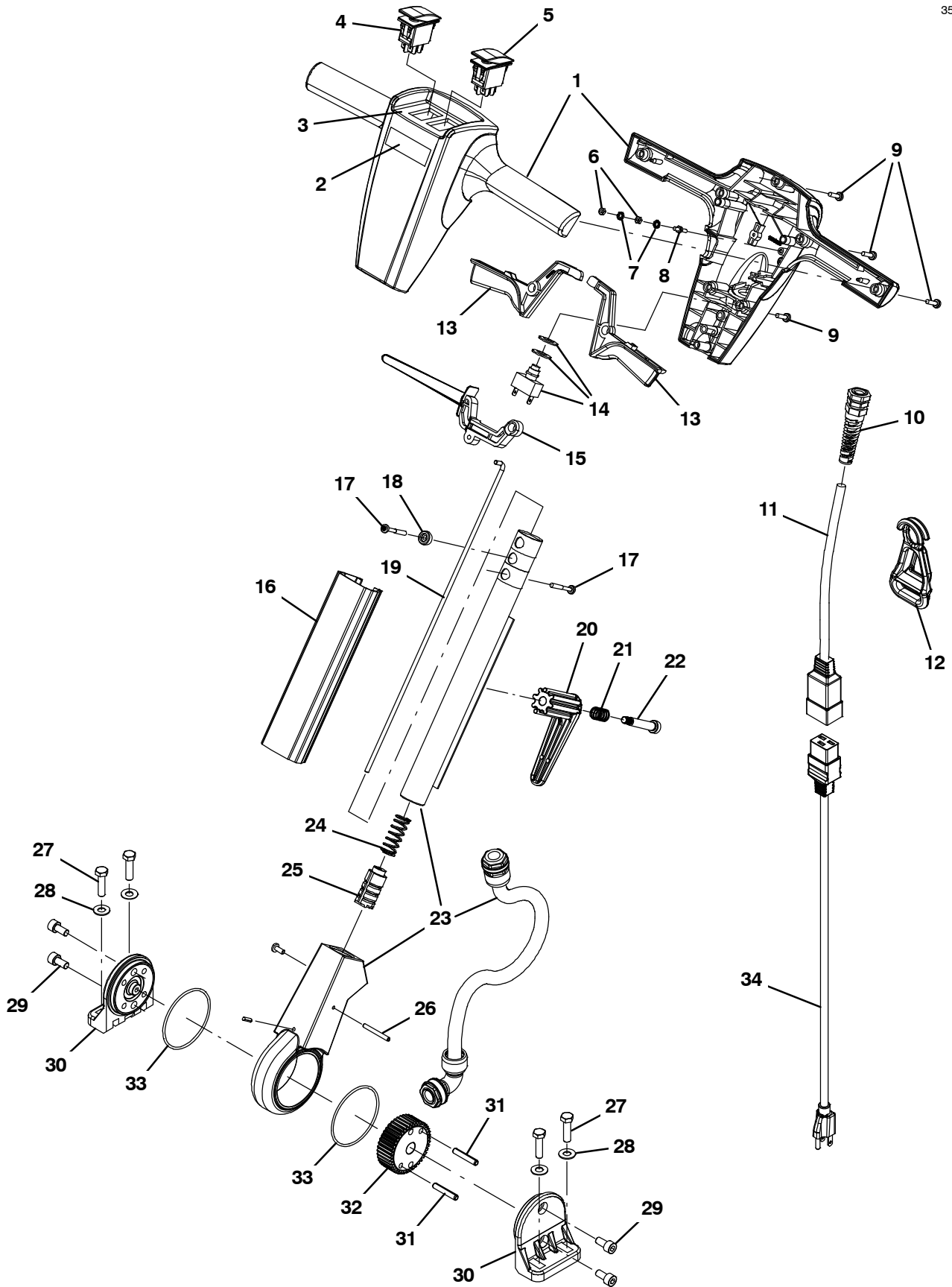
---

## GENERAL RECOMMENDED MAINTENANCE ITEMS

<b>Part No.</b>	<b>Serial Number</b>	<b>Description</b>	<b>Qty.</b>
1014918	(10000000-20000000 )	Wheel, 03.0d 0.88w 0.31b, W/ Bshg, Rbr	2
1039073	(10000000-20000000 )	Wheel Assy, 8.0d 2.0w 0.5b W/Brg	2
1074694	(10000000-20000000 )	Filter, Tube, Soltn, 200mesh	1
1044370	(10000000-20000000 )	Ball, Float, W/O Cage	1
1036090	(10000000-20000000 )	Seal, Vacuum [Trex]	2
1034801	(10000000-20000000 )	Gasket, Tank	2
1028954	(10000000-20000000 )	Brush, Scrub, 89mm Od X 386mm Long	1

HANDLE GROUP

355082



HANDLE GROUP

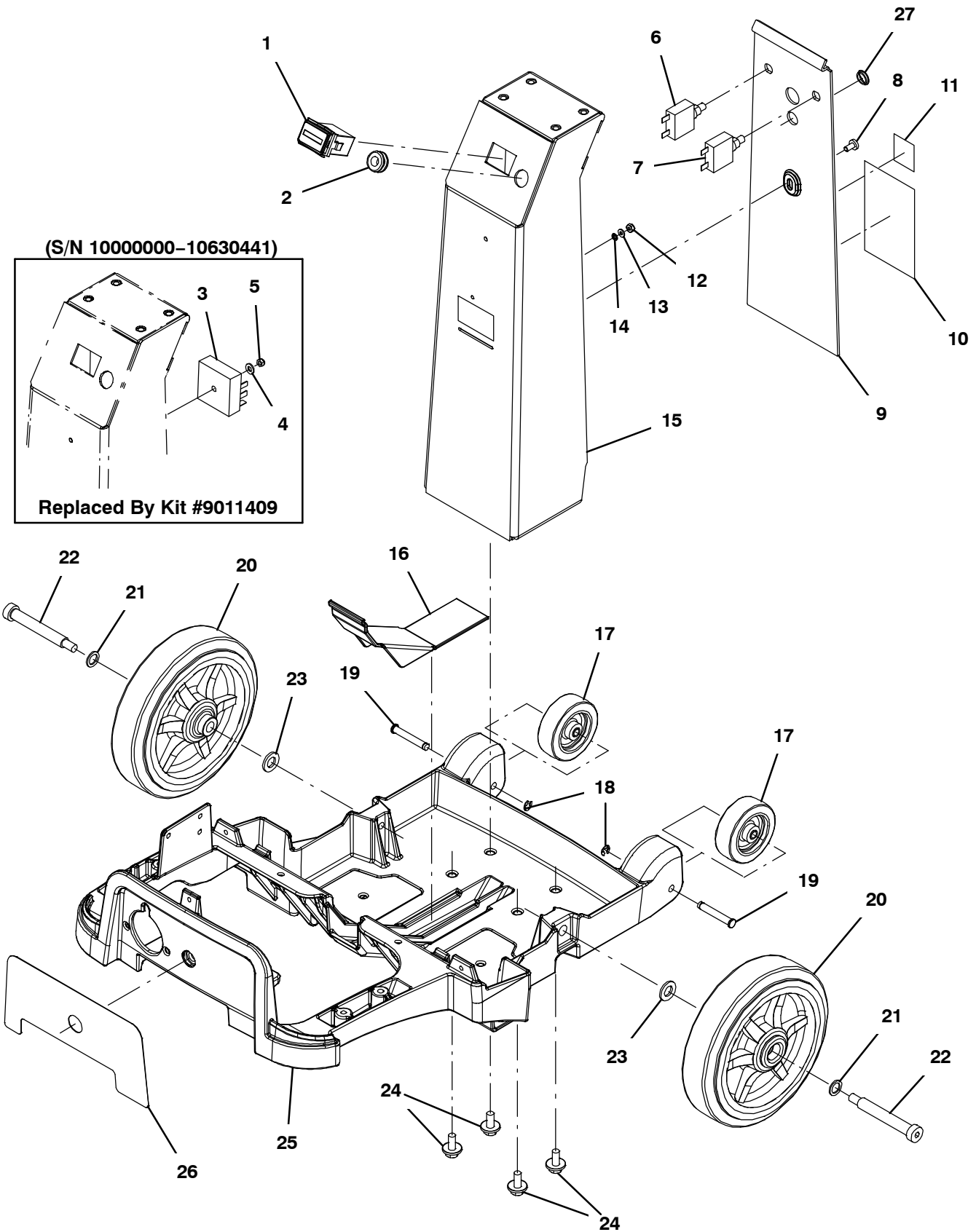
Ref.	Part No.	Serial Number	Description	Qty.
▽	9005512	(10000000-20000000 )	Handle, Nobles Speed Ex 15"	1
▲▽	1 9004322	(10000000-20000000 )	Cover, Handle Front/Rear Nobles Se Kit	1
▲▲	2 1039088	(10000000-20000000 )	Label, Logo, Handle [Nobles]	1
▲▲	3 1034593	(10000000-20000000 )	Label, Opertnl, Instrmt Panl, Extrcr	1
▲	4 609657	(10000000-20000000 )	Switch, Rocker, On / Off / On	1
▲	5 602919	(10000000-20000000 )	Switch, Rocker, Dpdt, On / On	1
▲	6 42368	(10000000-20000000 )	Nut, Hex, Std, M4 X 0.70, 8	2
▲	7 140061	(10000000-20000000 )	Washer, Lock, Ext, 08, Pl	2
▲	8 1034952	(10000000-20000000 )	Screw, Hex, M4 X 0.7 X 12, Dbl Thrd	1
▲	9 1043573	(10000000-20000000 )	Screw, #10-14 X 0.675, Spl[Shcs,Selftap]	7
▲	10 130166	(10000000-20000000 )	Grip, Cord, Strainrelief Pg-11 W/Nut Bk	1
▲	11 1042410	(10000000-20000000 )	Cord, 14ga /3, 16.0l, W/ Receptacle, Yel	1
▲	12 130176	(10876910-20000000 )	Clip, Cord, Strainrelief [Belt] (Yellow)	1
▲	12 1037147	(10000000-10876909 )	Clip, Cord, Strainrelief, Black	1
▲	13 1033893	(10000000-20000000 )	Lever, Cntrl, Switch [Trex]	2
▲	14 9008568	(10000000-20000000 )	Switch Kit, W/ Washers, Fr/ F/1063165	1
▲	15 1034945	(10000000-20000000 )	Lever, Adjmt, Handle	1
▲	16 1034181	(10876910-20000000 )	Cover, Handle, Gray	1
▲	16 1036599	(10000000-10876909 )	Cover, Handle, Nobles [Trex]	1
▲	17 1043572	(10000000-20000000 )	Screw, #10-14 X 0.15, Spl[Shcs Selftap]	2
▲	18 1034176	(10000000-20000000 )	Bushing, Flng, 5mmb 12mmd 8mml, Pa6	1
▲	19 1034180	(10000000-20000000 )	Rod, Release [Trex]	1
▲	20 603104	(10000000-20000000 )	Hook, Cord, Blk [Quick-Release]	1
▲	21 603108	(10000000-20000000 )	Spring, Cmpr, Switch	1
▲	22 140239	(10000000-20000000 )	Bolt, Shld, .38d X 1.75, .31-18	1
▲	23 1045239	(10000000-20000000 )	Tube, Assy, Handle [W/Harnesses]	1
▲	24 1013295	(10000000-20000000 )	Spring, Cmpr [2100 Series]	1
▲	25 9006059	(10000000-20000000 )	Plunger Kit, Handle	1
▲	26 1034924	(10000000-20000000 )	Pin, Roll, 04mmd X 40mml	1
▲	27 1016399	(10000000-20000000 )	Screw, Hex, M8 X 1.25 X 30, NI, Ss	4
▲	28 140027	(10000000-20000000 )	Washer, Flat, 0.35b 0.75d .04, Ss	4
▲	29 49609	(10000000-20000000 )	Screw, Soc, M8 X 1.25 X 16, 12.9	4
▲	30 1000307	(10000000-20000000 )	Handle, Pivot, Half	2
▲	31 1034155	(10000000-20000000 )	Pin, Roll, 06mmd X 36mml	2
▲	32 1034872	(10000000-20000000 )	Gear, Lock, Handle	1
▲	33 612422	(10000000-20000000 )	Seal, Org, Gear Seat	2
▲	34 1042403	(10000000-20000000 )	Cord, Power, 1.5mm /3 Yel[2x15m 50ft Us]	1

▽ ASSEMBLY

▲ INCLUDED IN ASSEMBLY

FRAME GROUP

355044





## FRAME GROUP

Ref.	Part No.	Serial Number	Description	Qty.	
1	1064038	(10000000-20000000 )	Gauge, Hourmeter, 05-277 Volt, Ac / Dc	1	
2	86726	(10000000-20000000 )	Grommet, Rbr, 0.44id, F/0.5h, .19 Matl	1	
3	1037248	(10000000-10630441 )	Timer, 120volt, 4s [T-Rex Extractor] (NLA - Replaced by Kit 9011409)	1	
4	01683	(10000000-10630441 )	Washer, Flat, 10, Ss	1	
5	09739	(10000000-10630441 )	Nut, Hex, Lock, M5 X 0.80, NI, Ss	1	
6	383720	(10000000-20000000 )	Circuitbreaker, 05.0a, Resetable	1	
7	383722	(10000000-20000000 )	Circuitbreaker, 15.0a, Resetable	1	
8	1043600	(10000000-20000000 )	Filter, Pump, 250 Vac, 3a, 50/60hz	1	
▽	9	9004275	(10000000-20000000 )	Cover Kit, Column , W/ Label [5gal 120v]	1
▲	10	1039105	(10000000-20000000 )	Label,Warning,Ac Scrb/Extr [En/Fr/Es/Jp]	1
▲	11	NA	(10000000-20000000 )	Label, Safety, 120vac [Etl]	1
	12	1044427	(10000000-20000000 )	Nut, Hex, Lock, #8-32, NI, Ss	1
	13	41578	(10000000-20000000 )	Washer, Flat, 06, Ss	1
	14	02938	(10000000-20000000 )	Washer, Lock, Int, 08, Ss	1
	15	9004274	(10000000-20000000 )	Column Kit, Sppt, W/ Label [5 Gal]	1
	16	1031418	(10000000-20000000 )	Cover, Frame, Rear [Trex]	1
	17	1014918	(10000000-20000000 )	Wheel, 03.0d 0.88w 0.31b, W/ Bshg, Rbr	2
	18	1035139	(10000000-20000000 )	Ring, Retaining, Ext, 0.31d, E-Type	2
	19	1035137	(10000000-20000000 )	Pin, Clevis, Grvd 0.31d X 2.00l, Ss	2
	20	1039073	(10000000-20000000 )	Wheel Assy, 8.0d 2.0w 0.5b W/Brg	2
	21	1038770	(10000000-20000000 )	Washer, Flat, 0.50b 0.75d 0.06, Ss	2
	22	1033757	(10000000-20000000 )	Bolt, Shld, .50 X 3.25, .38-16, Ss	2
	23	33925	(10000000-20000000 )	Washer, Flat, M12, Ss	2
	24	1020341	(10000000-20000000 )	Screw, Hex, M8 X 1.25 X 20, Ss, Sems	4
▽	25	9004297	(10000000-20000000 )	Frame, W/ Front Decal Kit Nobles	1
▲	26	1038092	(10000000-20000000 )	Label, Extractor, Nobles	1
	27	57167	(10000000-20000000 )	Plug, Hole, Rnd, 0.62h .03-.12, Blk Nyl (Non-Telemetry Models)	1
	N/S	1033925	(10000000-20000000 )	Harness, Chassis, Ele [T-Rex Extractor]	1

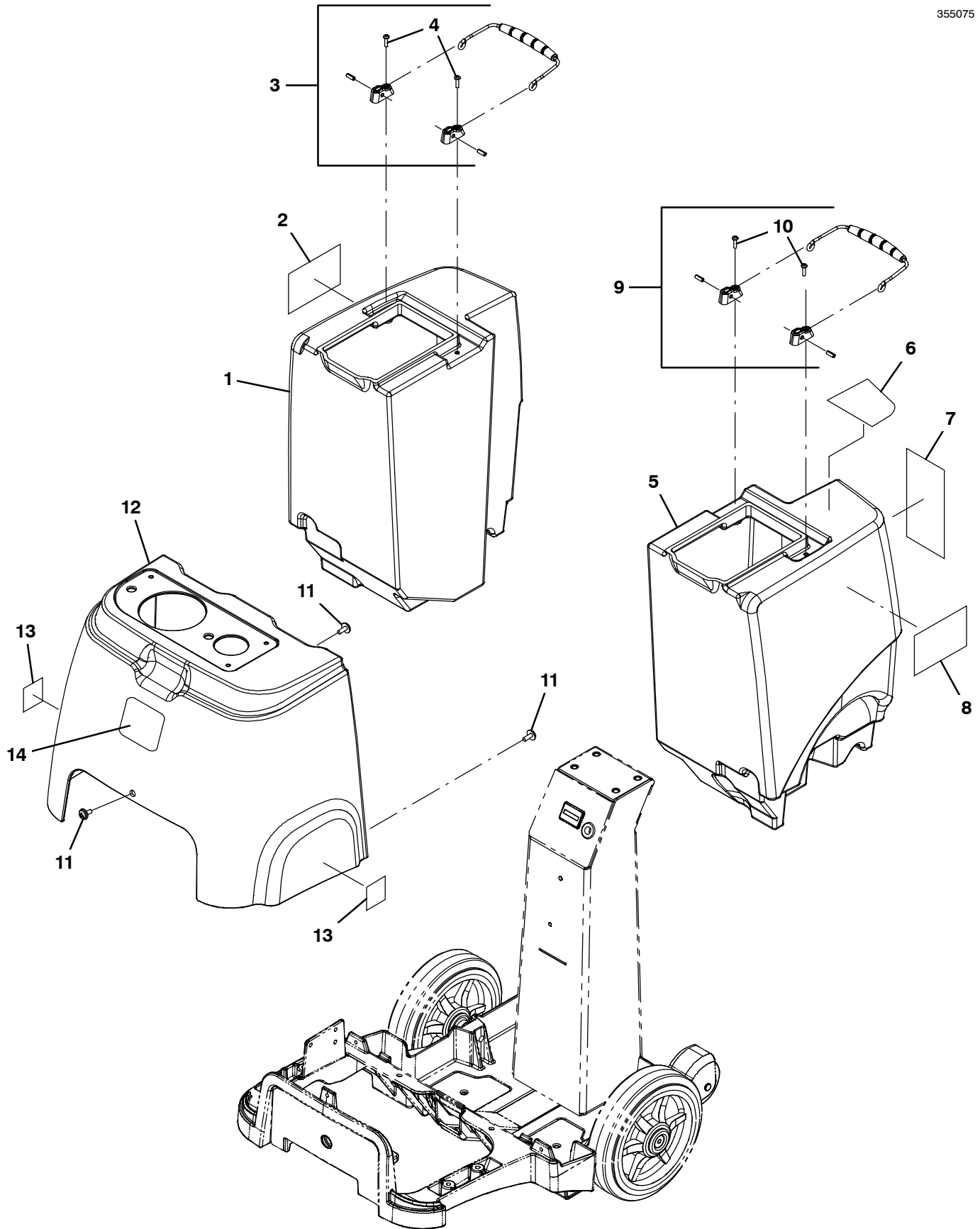
▽ ASSEMBLY

▲ INCLUDED IN ASSEMBLY

N/S = NOT SHOWN

TANKS AND SHROUD GROUP

355075



## TANKS AND SHROUD GROUP

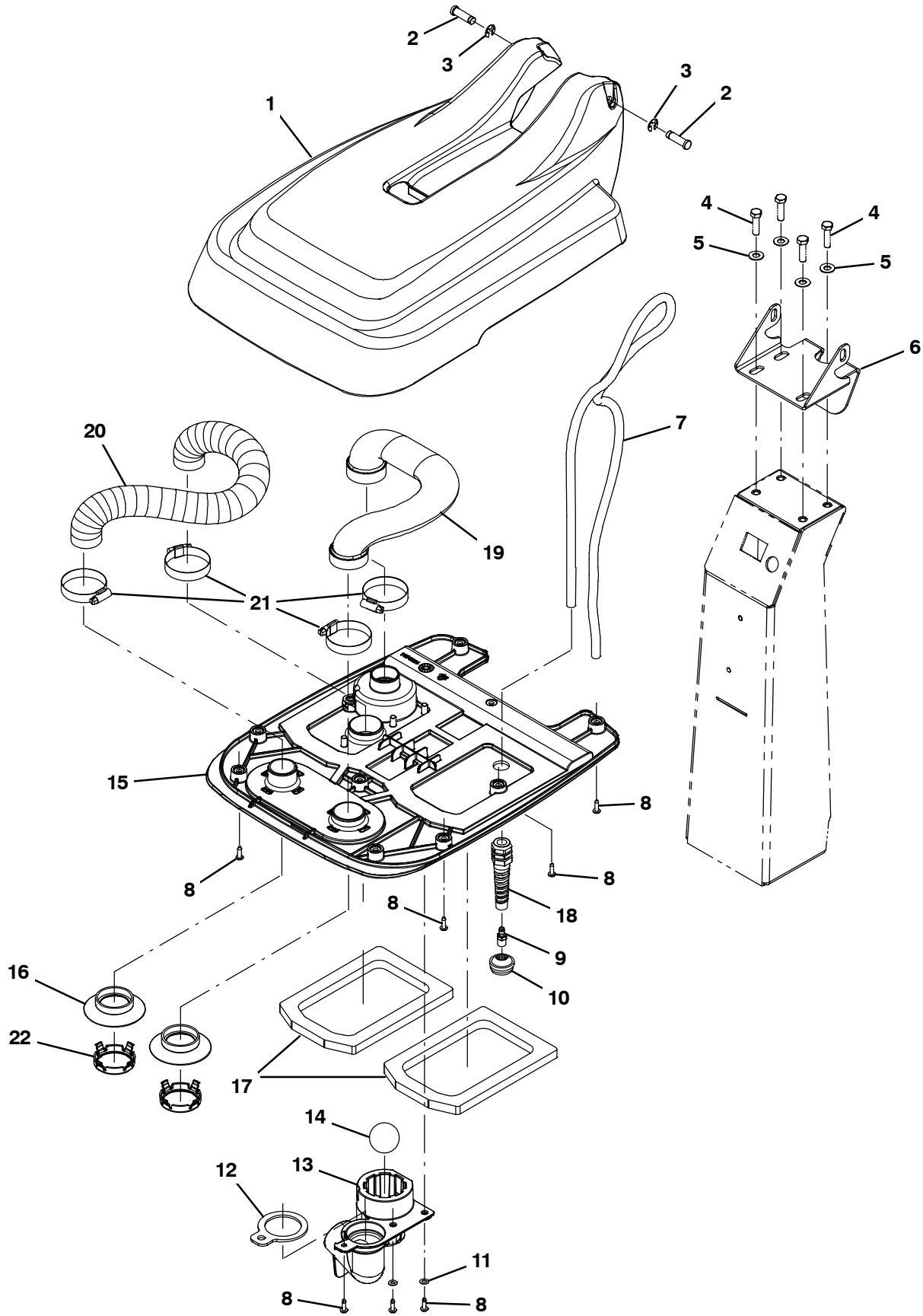
Ref.	Part No.	Serial Number	Description	Qty.
▽	1	9016192	(10876910-20000000 ) Tank Kit, Recvy W/Labels [Nob Gray 5gal]	1
▽	1	9004309	(10000000-10876909 ) Tank, Rec W/ Labels Nobles 5 Gal Kit	1
▲	2	1039500	(10000000-20000000 ) Label, Side, Extractor	1
▲▽	3	9004285	(10000000-20000000 ) Handle, Tank Kit	1
▲▲	4	24265	(10000000-20000000 ) Screw, Pan, Phl, M4 X 0.70 X 16, Ss	2
▽	5	9016193	(10876910-20000000 ) Tank Kit, Soltn W/Labels [Nob Gray 5gal]	1
▽	5	9004311	(10000000-10876909 ) Tank, Soltn W/ Labels Nobles 5 Gal Kit	1
▲	6	1038968	(10000000-20000000 ) Label, Soltn, Tank [5.0 Gal]	1
▲	7	1040114	(10000000-20000000 ) Label, Oper, Instr [Extractor]	1
▲	8	1039500	(10000000-20000000 ) Label, Side, Extractor	1
▲▽	9	9004285	(10000000-20000000 ) Handle, Tank Kit	1
▲▲	10	24265	(10000000-20000000 ) Screw, Pan, Phl, M4 X 0.70 X 16, Ss	2
	11	1019349	(10000000-20000000 ) Screw, Trs, M6 X 1.00 X 16, Ss, Sems	3
▽	12	9004300	(10000000-20000000 ) Shroud, W/ Labels Nobles 5 Gal Kit	1
▲	13	578769	(10000000-20000000 ) Decal, Moving Parts Textless	2
▲	14	1034636	(10000000-20000000 ) Label, Front, 3.00 [Nobles Icon]	1

▽ ASSEMBLY

▲ INCLUDED IN ASSEMBLY

TANK COVER GROUP

355047



## TANK COVER GROUP

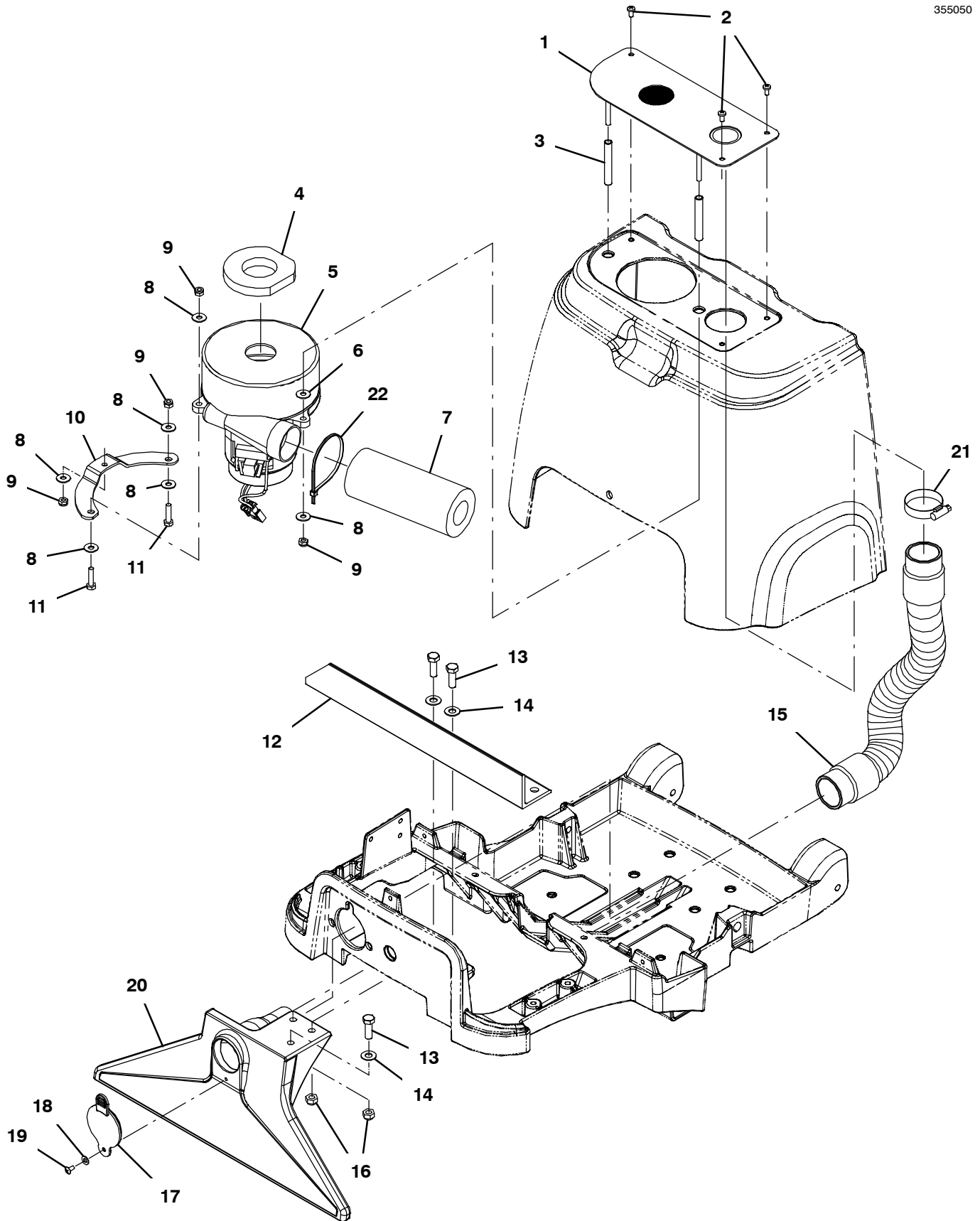
Ref.	Part No.	Serial Number	Description	Qty.	
1	1037759	(10000000-20000000 )	Cover , Tanks, Upper, Nobles [Trex]	1	
2	1035358	(10000000-20000000 )	Pin, Grvd, 0.375d, 1.25l	2	
3	24555	(10000000-20000000 )	Ring, Retaining, Ext, 0.38d, [E-Ring]	2	
4	1016399	(10000000-20000000 )	Screw, Hex, M8 X 1.25 X 30, NI, Ss	4	
5	140027	(10000000-20000000 )	Washer, Flat, 0.35b 0.75d .04, Ss	4	
6	1034346	(10000000-20000000 )	Bracket, Pivot, Cover, Mtg	1	
7	1036063	(10000000-20000000 )	Hose, Soltn, .25 Id, .453 Od, 56.0 L	1	
8	140340	(10000000-20000000 )	Screw, Pan, Phl, 10-24 X 0.62, Ss[Typ25]	13	
9	1042715	(10000000-20000000 )	Fitting, Brs, Str, Bm04/Pm02	1	
10	1074694	(10000000-20000000 )	Filter, Tube, Soltn, 200mesh	1	
11	140011	(10000000-20000000 )	Washer, Flat, 0.21b 0.45d .03, Ss	2	
12	1051274	(10000000-20000000 )	Gasket, Shield, Float	1	
13	1042277	(10000000-20000000 )	Shield, Float	1	
14	1044370	(10000000-20000000 )	Ball, Float, W/O Cage	1	
▽	15	9005924	(10000000-20000000 )	Cover, Tank, Inner W/ Seals, Kit	1
▲	16	1036090	(10000000-20000000 )	Seal, Vacuum [Trex]	2
▲	17	1034801	(10000000-20000000 )	Gasket, Tank	2
▲	18	602849	(10000000-20000000 )	Strainrelief, Cord, Ele, Pm08, Blk Nyl	1
	19	1035866	(10000000-20000000 )	Hose, Recvy, Formed [Trex]	1
	20	1037756	(10000000-20000000 )	Hose, Vacuum, 1.5od, 18.0l [Wire-Reinf]	1
	21	140308	(10000000-20000000 )	Clamp, Hose, Wormdrive, 1.31-2.25d, .50w	4
	22	1054345	(10451589-20000000 )	Clip, Retaining, Seal	2

▽ ASSEMBLY

▲ INCLUDED IN ASSEMBLY

VACUUM FAN GROUP

355050

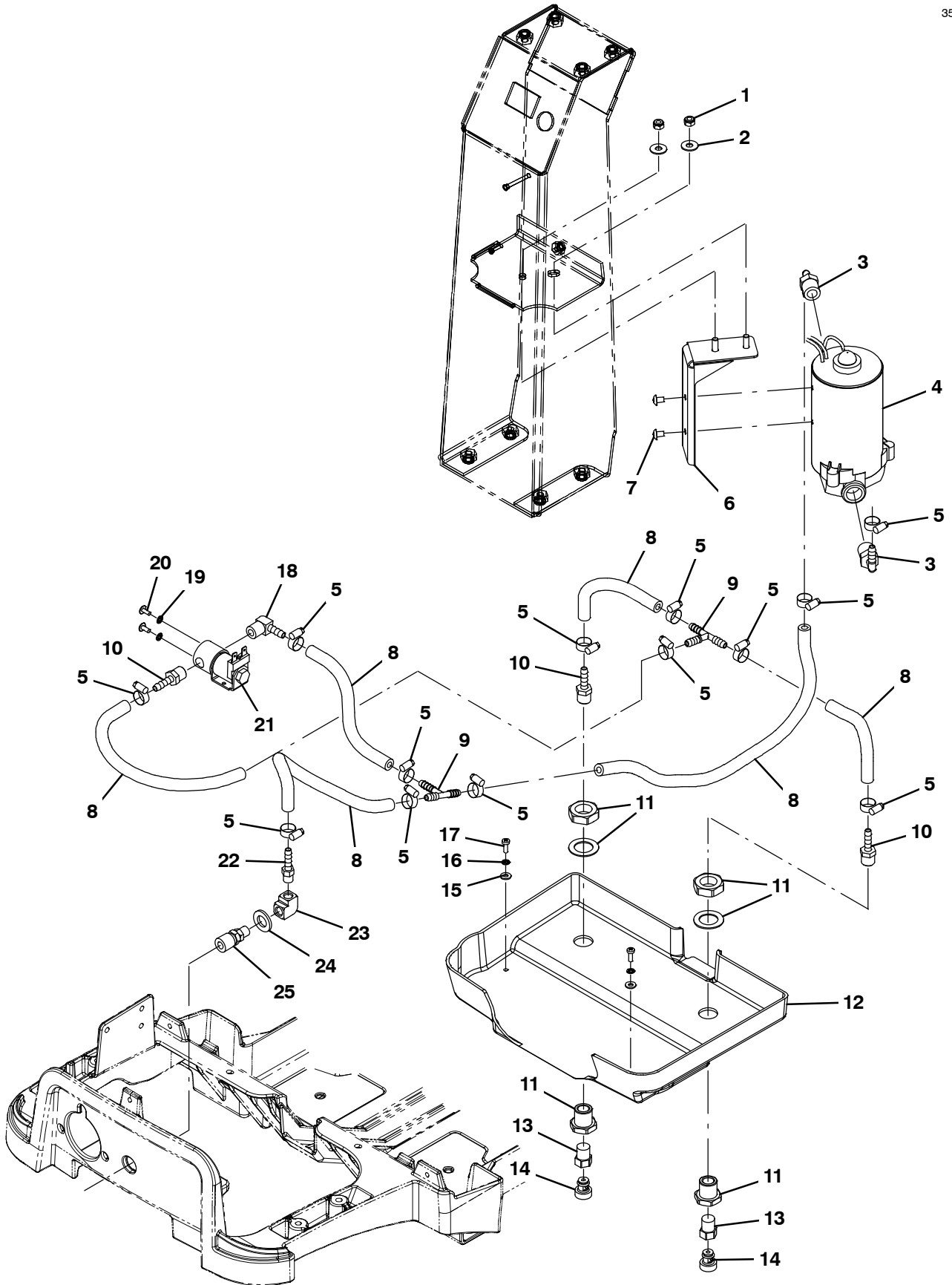


## VACUUM FAN GROUP

Ref.	Part No.	Serial Number	Description	Qty.
1	1031960	(10000000-20000000 )	Plate, Mtg, Vacuum	1
2	1026454	(10000000-20000000 )	Screw, Pan, Phl, M5 X 0.80 X 10, Ss	3
3	610144	(10000000-20000000 )	Spacer, Fan	2
4	630010	(10000000-20000000 )	Gasket, 12.7mm Th, 43mmid 73mmod	1
∇	5 9012566	(10669373-20000000 )	Fan Kit, Vacuum, 5.7d, 120vac, 2 Stage	1
5	1071839	(10000000-10669372 )	Fan, Vacuum, 5.7d, 120 Vac, 2 Stage (Replaced by 9012566)	1
▲	1071842	(10669373-20000000 )	Vr, Brush Kit, Vac Fan 1071839	1
▲	6 01684	(10000000-20000000 )	Washer, Flat, 0.27b 0.69d .05, Ss	1
7	600009	(10000000-20000000 )	Muffler, Exhaust, Vacfan	1
8	01684	(10000000-20000000 )	Washer, Flat, 0.27b 0.69d .05, Ss	6
9	08708	(10000000-20000000 )	Nut, Hex, Lock, M6 X 1.00, NI	4
10	1034069	(10000000-20000000 )	Plate, Vac Mounting	1
11	09007	(10000000-20000000 )	Screw, Hex, M6 X 1.00 X 25, Ss	2
12	1045263	(10000000-20000000 )	Brace, Frame	1
13	1015852	(10000000-20000000 )	Screw, Hex, M8 X 1.25 X 25, NI, FI, Ss	3
14	140027	(10000000-20000000 )	Washer, Flat, 0.35b 0.75d .04, Ss	3
15	1032555	(10000000-20000000 )	Hose, Vacuum, 1.50id X 19.5l, 2cuff, Clr	1
16	08713	(10000000-20000000 )	Nut, Hex, Lock, M8 X 1.25, NI, Ss	3
17	607183	(10000000-20000000 )	Seal, Cap, Vacuum Tool [607170]	1
18	140011	(10000000-20000000 )	Washer, Flat, 0.21b 0.45d .03, Ss	1
19	140801	(10000000-20000000 )	Screw, Trs, Phl, 08-32 X 0.38, Ss	1
20	1035555	(10000000-20000000 )	Tool, Floor [Machined]	1
21	11531	(10000000-20000000 )	Clamp, Hose, Wormdrive, 1.06-2.00d, .56w	1
22	130773	(10000000-20000000 )	Tie, Cable, Nyl, 11.0l, .14w, 3.0 Max. D	1

SOLUTION GROUP

355049



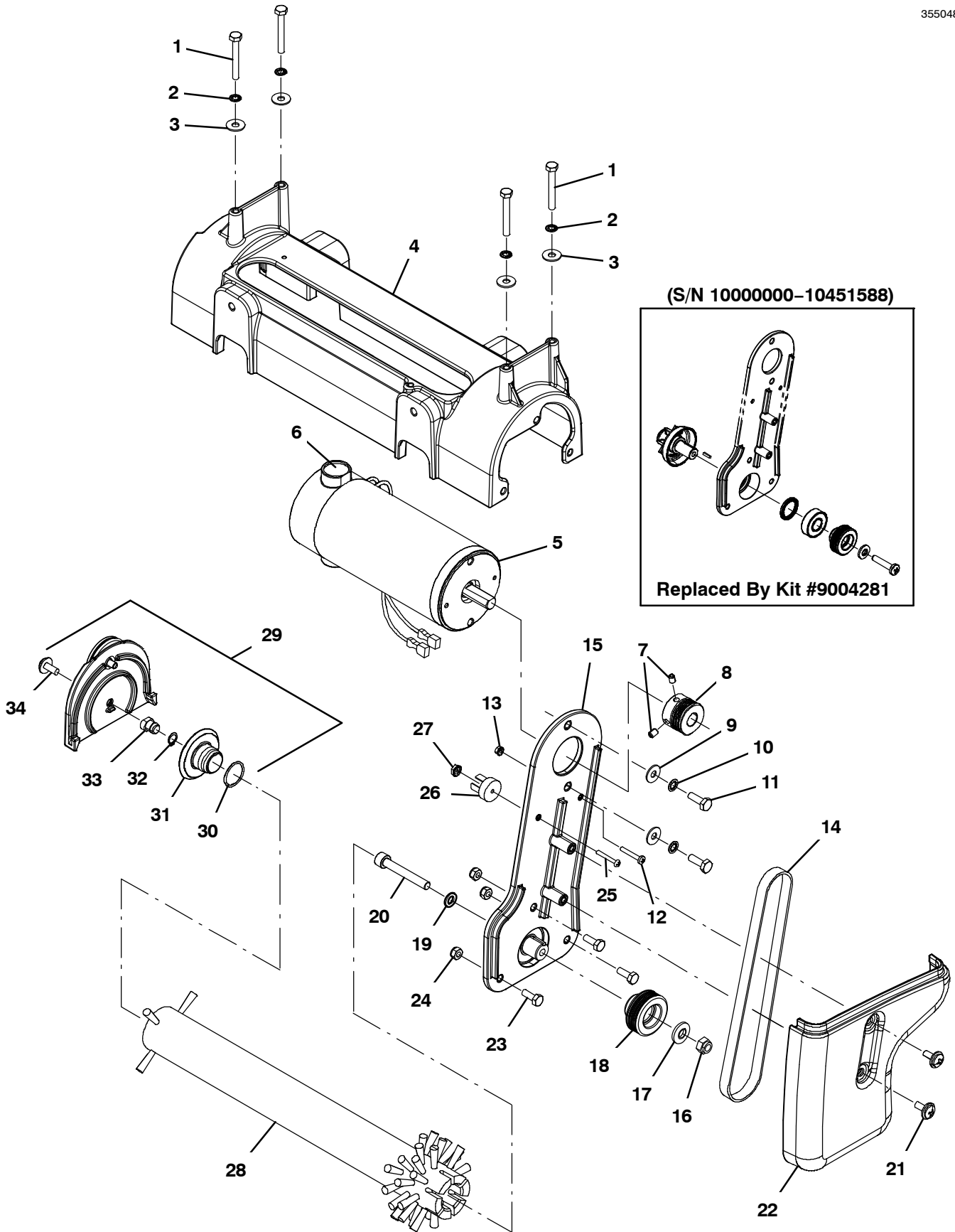


## SOLUTION GROUP

Ref.	Part No.	Serial Number	Description	Qty.
1	08712	(10000000-20000000 )	Nut, Hex, Lock, M6 X 1.00, NI, Ss	2
2	01684	(10000000-20000000 )	Washer, Flat, 0.27b 0.69d .05, Ss	2
3	150417	(10000000-20000000 )	Fitting, Plstc, E90, Bm04/Pm06	2
4	1031915	(10000000-20000000 )	Pump, Soltn, Ele, 110vac	1
5	43844	(10000000-20000000 )	Clamp, Hose, Wormdrive, 0.25-0.62d, .31w	13
6	1034331	(10000000-20000000 )	Bracket, Pump	1
7	140751	(10000000-20000000 )	Screw, Hex, 10-32 X 0.50, PI	2
8	606364	(10000000-20000000 )	Hose, Pvc, Brd, 0.25id 0.50od 60.0l, Gray (160204)	1
9	150713	(10000000-20000000 )	Fitting, Plstc, Tee, Bm04/Bm04/Bm04	2
10	150515	(10000000-20000000 )	Fitting, Brs, Str, Bm04/Pm04 [Taped]	2
11	78122	(10000000-20000000 )	Fitting, Brs, Str, Pf04/Pf04, Bh	2
12	1037350	(10000000-20000000 )	Shroud, Nozzle [Extractor]	1
13	1034582	(10000000-20000000 )	Nozzle Adapter, Qppm	2
14	1037338	(10000000-20000000 )	Nozzle, Qmfv 110-06	2
15	41579	(10000000-20000000 )	Washer, Flat, 08, Ss	2
16	02938	(10000000-20000000 )	Washer, Lock, Int, 08, Ss	2
17	579237	(10000000-20000000 )	Screw, Pan, Phl, M4 X 0.70 X 12, Ss	2
18	150418	(10000000-20000000 )	Fitting, Brs, E90, Bm04/Pm04	1
19	02938	(10000000-20000000 )	Washer, Lock, Int, 08, Ss	2
20	140801	(10000000-20000000 )	Screw, Trs, Phl, 08-32 X 0.38, Ss	2
21	210033	(10000000-20000000 )	Valve, Water, Solenoid, 120vac Pf04/Pf04	1
22	150525	(10000000-20000000 )	Fitting, Brs, Str, Bm04/Pm02	1
23	150402	(10000000-20000000 )	Fitting, Brs, E90, Pf02/Pf02	1
24	3148.816	(10000000-20000000 )	Washer, Flat, 0.52b 0.88d .06, Stl, PI	1
25	150915	(10000000-20000000 )	Fitting, Brs, Qdc, Pm02, Fem [Ser 5]	1

SCRUB HEAD GROUP

355048



## SCRUB HEAD GROUP

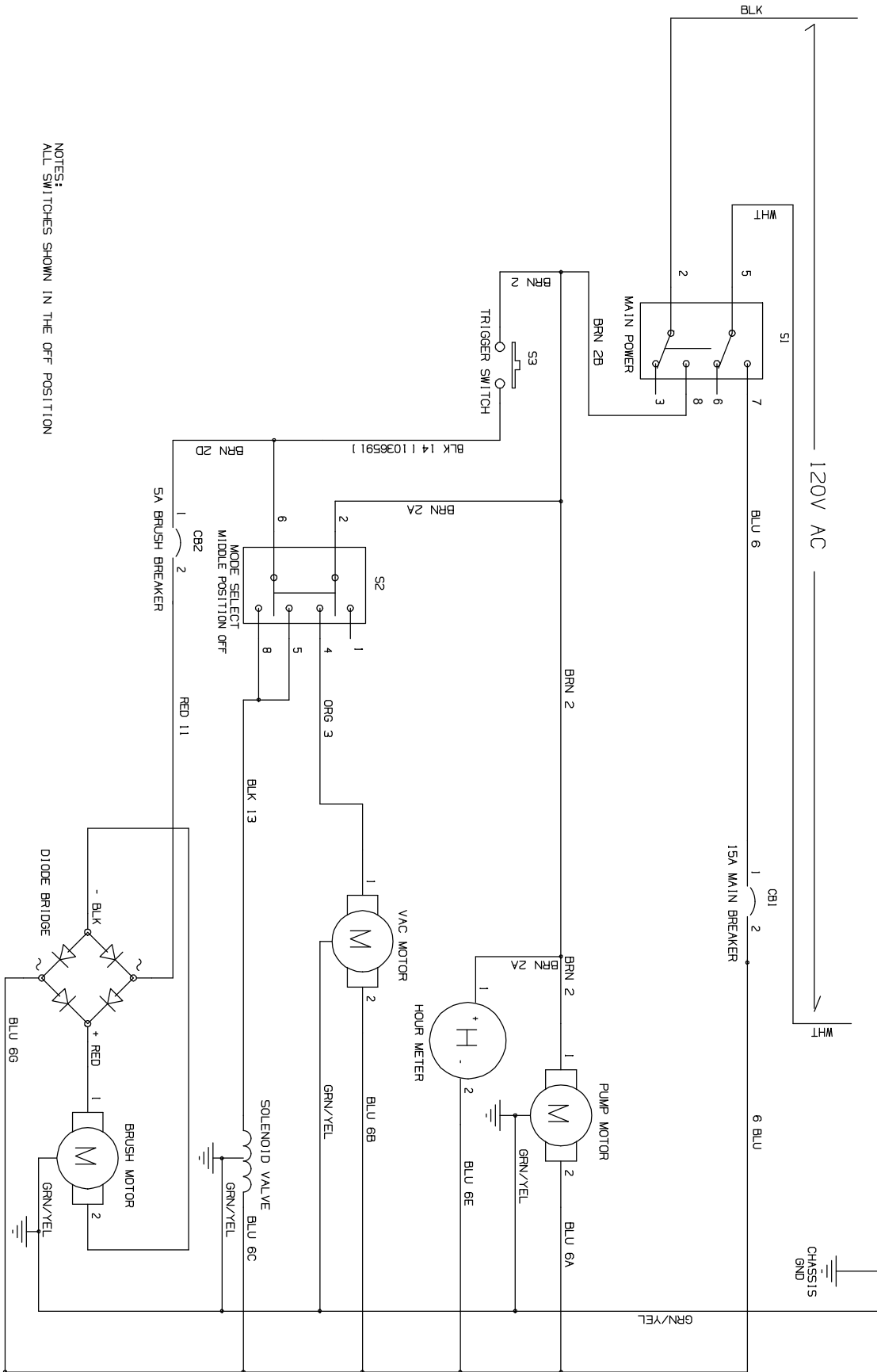
Ref.	Part No.	Serial Number	Description	Qty.	
1	1045325	(10000000-20000000 )	Screw, Hex, M6 X 1.00 X 45, Ss	4	
2	1027144	(10000000-20000000 )	Washer, Lock, Int, M6, Ss	4	
3	01684	(10000000-20000000 )	Washer, Flat, 0.27b 0.69d .05, Ss	4	
4	1034380	(10000000-20000000 )	Housing, Brush, Sngl, 40cm	1	
▽	5	1072719	(10656884-20000000 )	Motor, Ele, 115vdc 2200rpm .33hp	1
▲	6	1067897	(10656884-20000000 )	Vr, Brush Kit, Motor	2
▽	5	1034457	(10000000-10656883 )	Motor, .25hp, 115vdc, 2.5a, 2400 Rpm (Replaced by 1072719)	1
▲	6	1045234	(10000000-10656883 )	Brush, Carbon (Pk=2) Ref Part 1034457	2
	7	09162	(10000000-20000000 )	Screw, Set, Soc, M6 X 1.00 X 8, NI	2
	8	1030620	(10000000-20000000 )	Sheave, 07grv, 32.78pd [Ph]	1
	9	01684	(10000000-20000000 )	Washer, Flat, 0.27b 0.69d .05, Ss	2
	10	07515	(10000000-20000000 )	Washer, Lock, Int, 0.25, Ss	2
	11	34323	(10000000-20000000 )	Screw, Hex, .25-20 X 0.75, NI	2
	12	1033197	(10000000-20000000 )	Screw, Pan, Phl, M4 X 0.70 X 25, Ss	1
	13	1007109	(10000000-20000000 )	Nut, Hex, Lock, M4 X 0.70, Kep, Ext	1
	14	9004283	(10000000-20000000 )	Belt Kit, W/ Installation Tool	1
▽	15	9004281	(10000000-20000000 )	Bracket, Motor Mount W/ Bearing/Seal Kit (Includes Hub, Key, Bearing and Seal)	1
▲	16	08713	(10000000-20000000 )	Nut, Hex, Lock, M8 X 1.25, NI, Ss	1
▲	17	41186	(10000000-20000000 )	Washer, Flat, Belleville, .31	1
▲	18	1030614	(10000000-20000000 )	Sheave, 07grv, 42.3pd [Ph]	1
▲	19	1057482	(10000000-20000000 )	Washer, Flat, 0.328b 0.571d 0.063, Ss	1
▲	20	1057476	(10000000-20000000 )	Screw, Soc, M8 X 1.25 X 55, Ss	1
	21	1019349	(10000000-20000000 )	Screw, Trs, M6 X 1.00 X 16, Ss, Sems	2
	22	1064397	(10000000-20000000 )	Cover, Belt, Spg (Single Roller)	1
	23	15678	(10000000-20000000 )	Screw, Hex, M6 X 1.00 X 16, Ss	3
	24	08712	(10000000-20000000 )	Nut, Hex, Lock, M6 X 1.00, NI, Ss	3
	25	140946	(10000000-20000000 )	Screw, Rnd, Slt, 06-32 X 1.00, Nyl	1
	26	130288	(10000000-20000000 )	Rectifier, Bridge, Rnd, 12a 1000volt, Ce	1
	27	140534	(10000000-20000000 )	Nut, Hex, #06-32, Nyl	1
	28	1028954	(10000000-20000000 )	Brush, Scrub, 89mm Od X 386mm Long	1
▽	29	9007962	(10000000-20000000 )	Door Kit, Brush, W/ Hdwr	1
▲▽		9018438	(10000000-20000000 )	Door Kit, Brush, Repair [T1b, E5]	1
▲▲	30	1042312	(10000000-20000000 )	Seal, Org, .070 X .875 Id, 020	1
▲▲	31	1030680	(10000000-20000000 )	Hub, Idler, Brush	1
▲▲	32	01543	(10000000-20000000 )	Ring, Retaining, Ext, 0.39d, Basic	1
▲▲	33	1030682	(10000000-20000000 )	Shaft, Idler Plug	1
▲▲	34	1019349	(10000000-20000000 )	Screw, Trs, M6 X 1.00 X 16, Ss, Sems	1

▽ ASSEMBLY

▲ INCLUDED IN ASSEMBLY

ELECTRICAL DIAGRAM (S/N 10630442- )

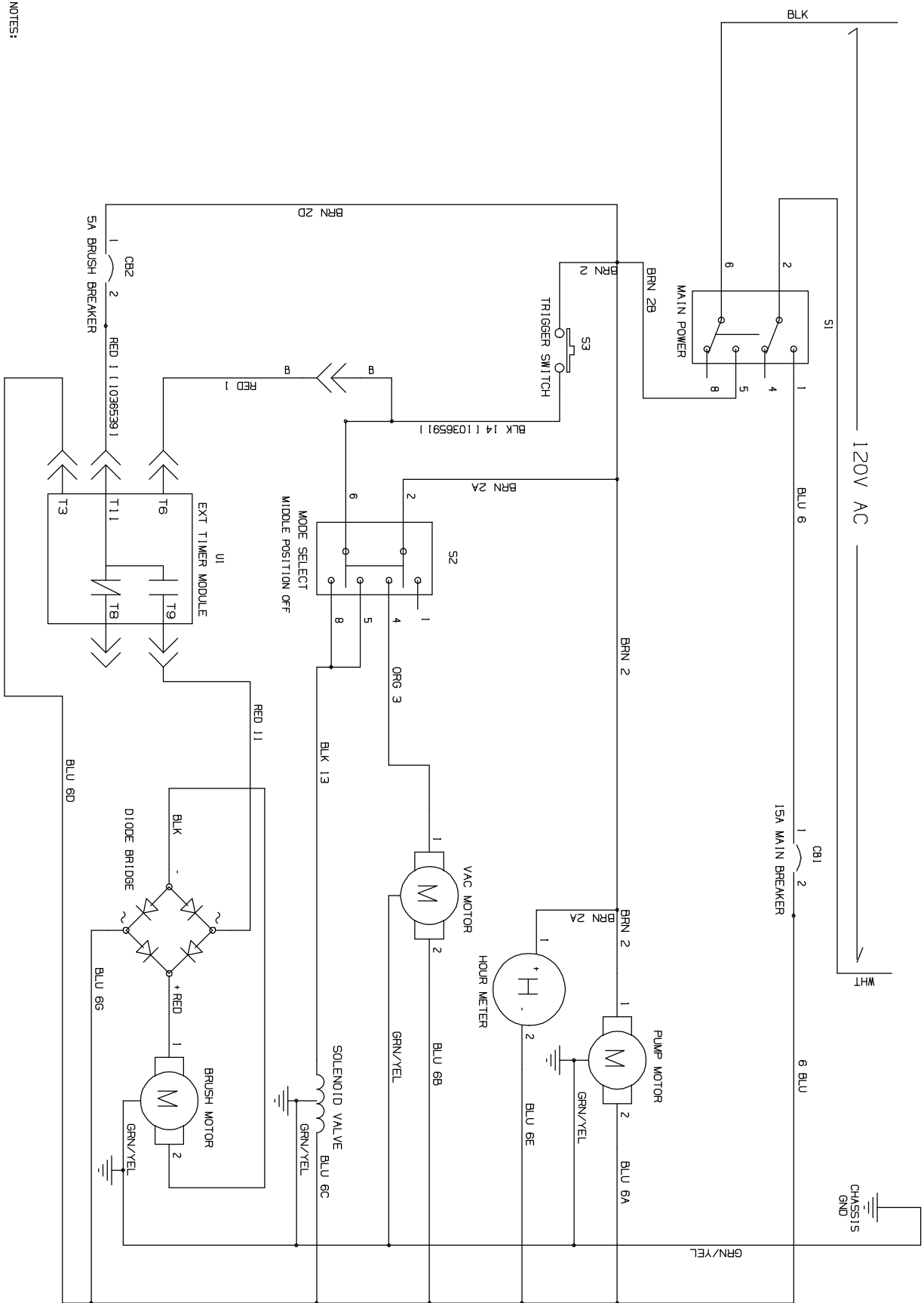
1046070\_E



NOTES:  
ALL SWITCHES SHOWN IN THE OFF POSITION

ELECTRICAL DIAGRAM (S/N 1000000-10630441)

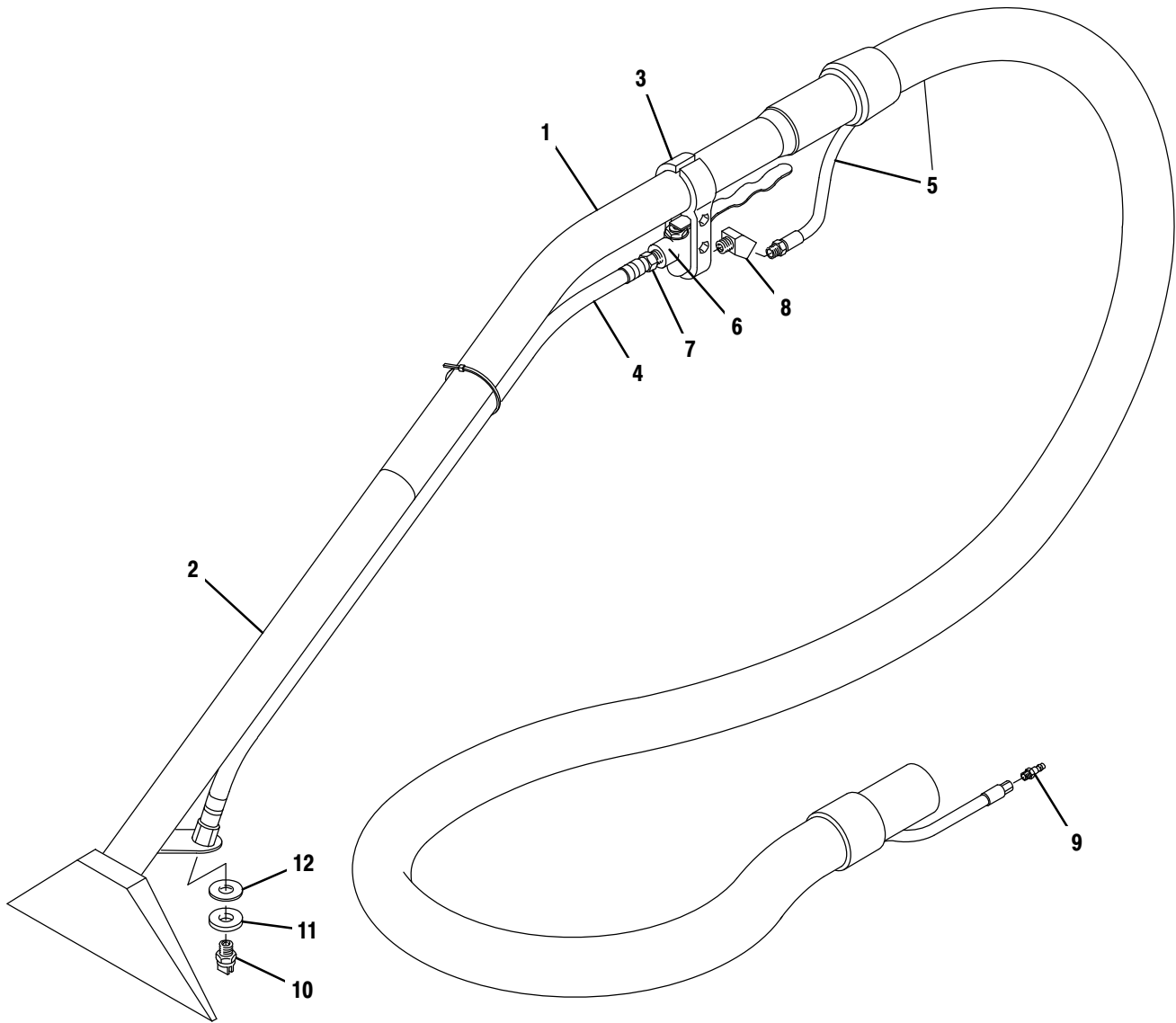
1046070



NOTES:  
ALL SWITCHES SHOWN IN THE OFF POSITION

FLOOR TOOL GROUP, 8 in / 203 mm (NEW STYLE)

355116



**FLOOR TOOL GROUP, 8 in / 203 mm (NEW STYLE)**

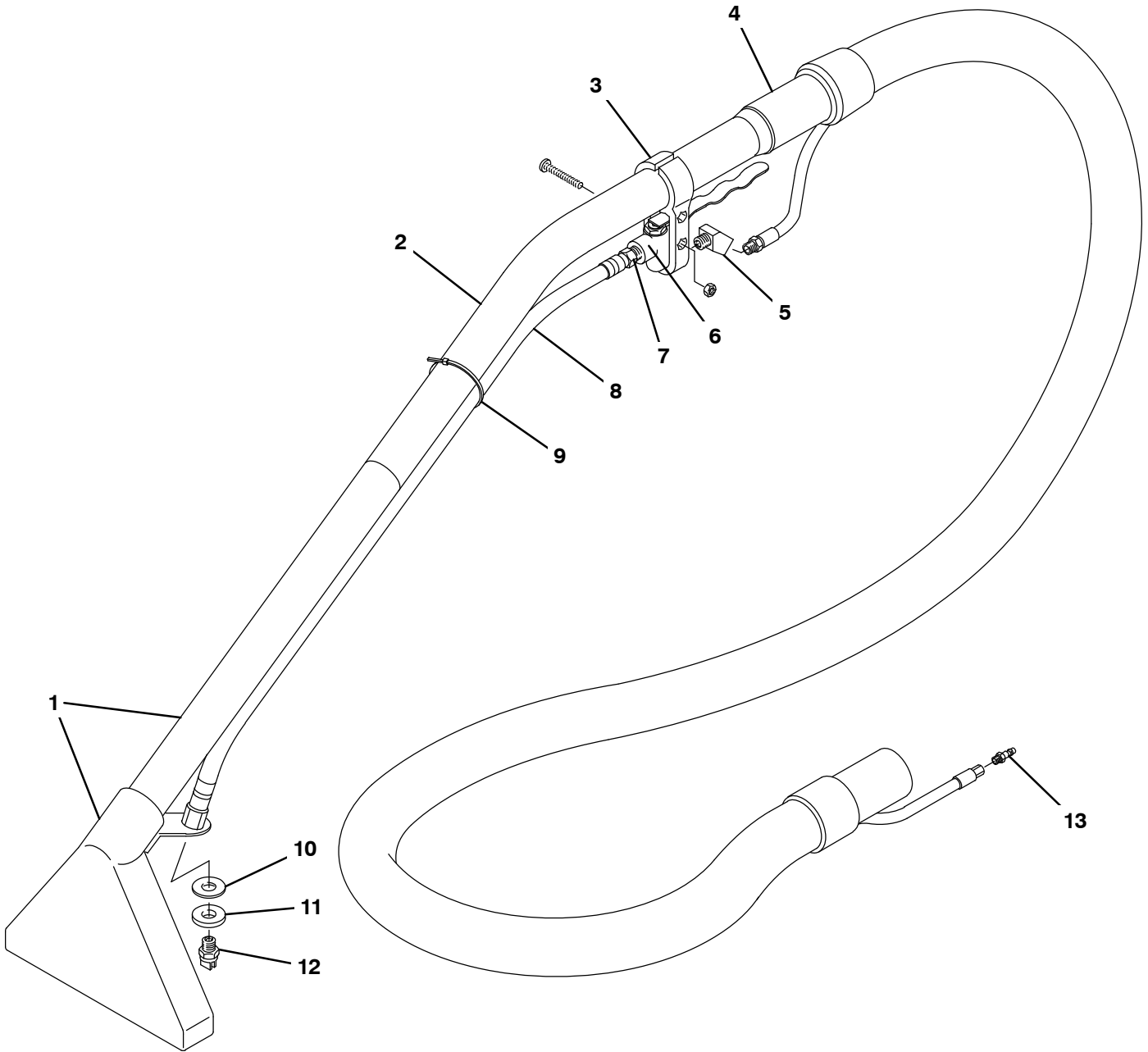
<b>Ref.</b>	<b>Part No.</b>	<b>Serial Number</b>	<b>Description</b>	<b>Qty.</b>
▽	1058735	(10000000-20000000 )	Tool Assy, Floor, W/ Ss Head	1
▲	1 1058997	(10000000-20000000 )	Wand, Tube, Upper, Fr/ 1058735, Replmt	1
▲	2 1058995	(10000000-20000000 )	Wand Assy, Lower, Fr/ 1058735, Replmt	1
▲	3 605988	(10000000-20000000 )	Vr, Bracket, Hanger, Valve	1
▲	4 1058998	(10000000-20000000 )	Hose, Brd, 39.0l, Fr/ 1058735, Replmt	1
▲	5 1059131	(10000000-20000000 )	Hose Assy, 10ft, F/1058735, Replmt	1
▲	6 578064000	(10000000-20000000 )	Valve, Water, Flow Cntrl, W/Lever [Wand]	1
▲	7 150516	(10000000-20000000 )	Fitting, Brs, Str, Bm06/Pm04	1
▲	8 150403	(10000000-20000000 )	Fitting, Brs, E45, Pf04/Pm04 [Taped]	1
▲	9 150921	(10000000-20000000 )	Fitting, Ss, Qdc, Pm02 [Ser 5]	1
▲	10 1059002	(10000000-20000000 )	Fitting, Jet, Vee, .25npt, Brs	1
▲	11 1058999	(10000000-20000000 )	Washer, Flat, Abs, F/ 1058735, Replmt	1
▲	12 140058	(10000000-20000000 )	Washer, Flat, 0.54b 0.88d .06, Ss [Wand]	1
▲	13 130041	(10000000-20000000 )	Tie, Cable, Nyl, 11.5l .19w	1
	N/S 220040	(10000000-20000000 )	Bag, Hose, Accssry, 24x36[W/Draw String] (Optional)	1

▽ ASSEMBLY

▲ INCLUDED IN ASSEMBLY

FLOOR TOOL GROUP, 8 in / 203 mm (OLD STYLE)

355078





**FLOOR TOOL GROUP, 8 in / 203 mm (OLD STYLE)**

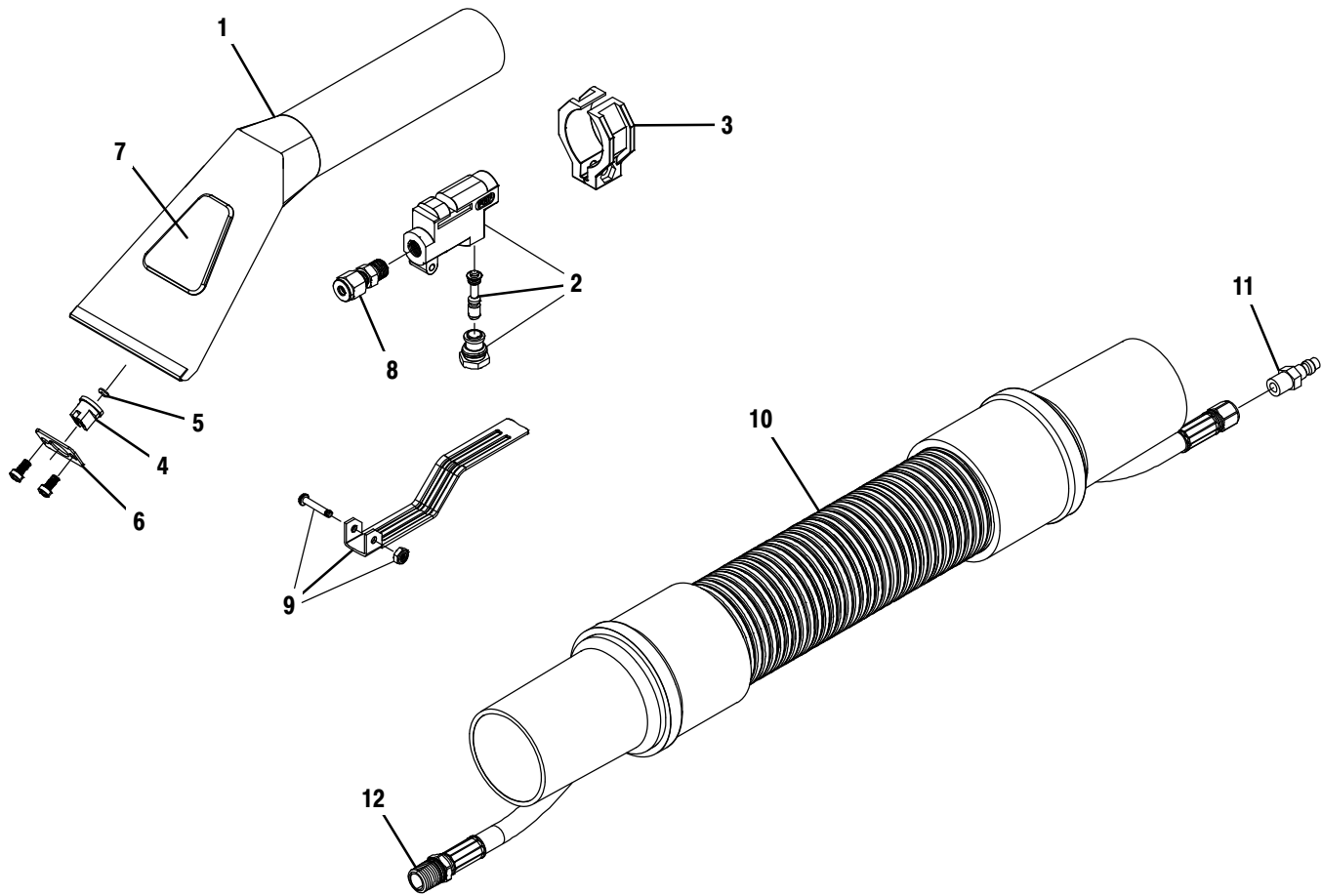
	<b>Ref.</b>	<b>Part No.</b>	<b>Serial Number</b>	<b>Description</b>	<b>Qty.</b>
▽		605976	(10000000-20000000 )	Tool, Pickup, Floor, 8.0w, Complt (Rpld By P/N 1058735)	1
▲	1	N/A	(10000000-20000000 )	Head Assy, W/ Lower Tube, 8.0inch (Rpld By P/N 1058995)	1
▲	2	N/A	(10000000-20000000 )	Wand [Upper Section Only] (Rpld By P/N 1058997)	1
▲	3	605988	(10000000-20000000 )	Vr, Bracket, Hanger, Valve	1
▲	4	N/A	(10000000-20000000 )	Hose Assy, 1.25 X 10ft [Hide-A-Hose] (Rpld By P/N 1059131)	1
▲	5	150403	(10000000-20000000 )	Fitting, Brs, E45, Pf04/Pm04 [Taped]	1
▲	6	578064000	(10000000-20000000 )	Valve, Cntrl, Water	1
▲	7	150516	(10000000-20000000 )	Fitting, Brs, Str, Bm06/Pm05	1
▲	8	N/A	(10000000-20000000 )	Hose Assy, 0.25d [Whip] (Rpld By P/N 1058998)	1
▲	9	130041	(10000000-20000000 )	Tie, Cable, Nyl, 11.5l .19w	1
▲	10	140058	(10000000-20000000 )	Washer, Flat, 0.54b 0.88d .06, Ss [Wand]	1
▲	11	605990	(10000000-20000000 )	Washer, Flat, .53 X 1.1 X .19, Abs	1
▲	12	605989	(10000000-20000000 )	Plstc Vee Jet 8002	1
▲	13	150921	(10000000-20000000 )	Fitting, Ss, Qdc, Pm02 [Ser 5]	1
	N/S	220040	(10000000-20000000 )	Bag, Hose, Accssry, 24x36[W/Draw String] (Optional)	1

▽ ASSEMBLY

▲ INCLUDED IN ASSEMBLY

**HAND TOOL GROUP, 4 in / 101 mm (NEW STYLE)**

355117



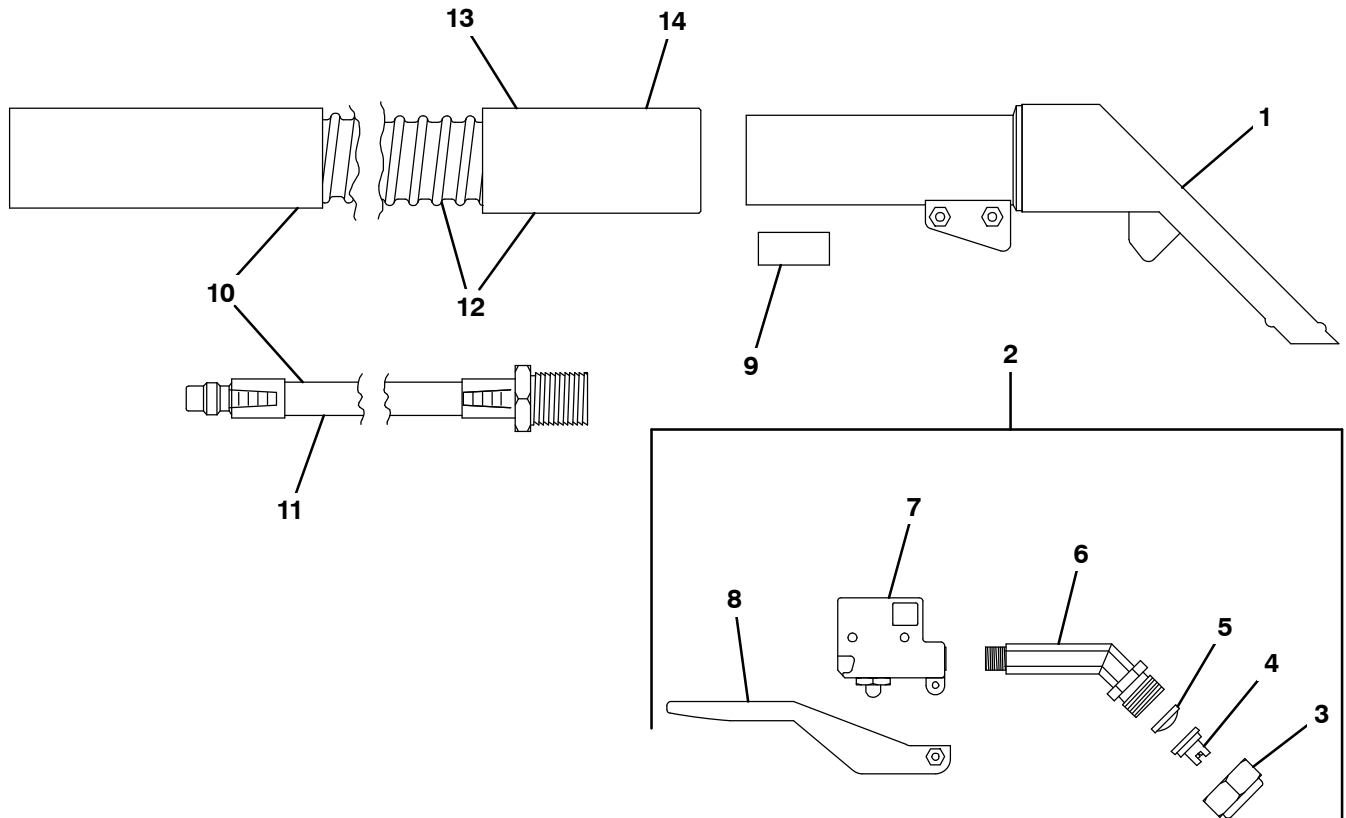
Ref.	Part No.	Serial Number	Description	Qty.
	1058747	(10000000-20000000 )	Tool Assy, Hand, W/ Ss Head & Plstc Wndw	1
▽	1	1059230	(10000000-20000000 ) Tool Assy, W/Trigger F/1058747, Replmt	1
▲	1	1059003	(10000000-20000000 ) Tool, W/ Wndw, Ss, F/1058747, Replmt	1
▲	2	611807	(10000000-20000000 ) Valve, Tool, Hand [Pmf]	1
▲	3	611812	(10000000-20000000 ) Valve, Hanger [Pmf]	1
▲	4	1059006	(10000000-20000000 ) Fitting, Jet, Tee, Plstc, Fr/ 1058747	1
▲	5	1059005	(10000000-20000000 ) Seal, Org, Fr/ 1058747, Replmt	1
▲	6	611815	(10000000-20000000 ) Retainer, Plate [Pmf]	1
▲	7	1059004	(10000000-20000000 ) Tool, Wndw, Plstc, Fr/ 1058747	1
▲	8	611817	(10000000-20000000 ) Ferrule, Pm02/.18tube	1
▲	9	611818	(10000000-20000000 ) Trigger, Handle Pmf	1
▽	10	1059130	(10000000-20000000 ) Hose Assy, 10ft, F/1058747, Replmt	1
▲	11	150921	(10000000-20000000 ) Fitting, Ss, Qdc, Pm02 [Ser 5]	1
▲	12	150521	(10000000-20000000 ) Fitting, Brs, Str, Bm02/Pf02	1
	N/S 220040	(10000000-20000000 )	Bag, Hose, Accssry, 24x36[W/Draw String] (Optional)	1

▽ ASSEMBLY

▲ INCLUDED IN ASSEMBLY

HAND TOOL GROUP, 4 in / 101 mm (OLD STYLE)

355079

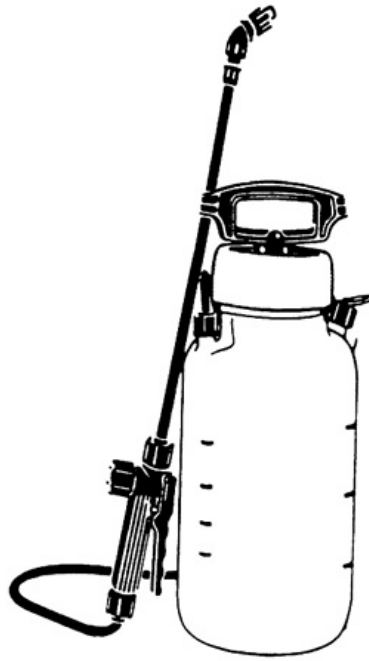


Ref.	Part No.	Serial Number	Description	Qty.
	613396	(10000000-20000000)	Tool Assy, Hand, 4.0w, 1.25d Hose[Ser 5] (Rpld By P/N 1058747)	1
▽	1	N/A	(10000000-20000000) Tool, Hand, W/ Trigger Assy (Rpld By P/N 1059230)	1
▲	1	N/A	(10000000-20000000) Tool, Hand, W/O Trigger Assy (Rpld By P/N 1058747)	1
▲▽	2	N/A	(10000000-20000000) Trigger, Hand Tool, Assy (Rpld By P/N 1058747)	1
▲▲	3	608897	(10000000-20000000) Vr, Nut, Plstc, Spray Tip	1
▲▲	4	608896	(10000000-20000000) Fitting, Spray, Tip 11003 Blue	1
▲▲	5	608900	(10000000-20000000) Screen, Tool, Hand	1
▲▲	6	608895	(10000000-20000000) Fitting, Nozzle, Spray	1
▲▲	7	608894	(10000000-20000000) Fitting, Valve Body, Hand Tool	1
▲▲	8	608898	(10000000-20000000) Trigger, Hand Tool	1
9	608892	(10000000-20000000)	Seal, Hose, Soltn	1
▽	10	N/A	(10000000-20000000) Hose, Vacuum, 1.25id X 104.0l, 2cuff (Rpld By P/N 1058747)	1
▲	11	N/A	(10000000-20000000) Hose, Soltn, Hand Tool (Rpld By P/N 1059130)	1
▲▽	12	N/A	(10000000-20000000) Hose, Vacuum, 1.25id X 104.0l, 1cuff,Blk (Rpld By P/N 1059130)	1
▲▲	13	N/A	(10000000-20000000) Hose, Vacuum, 1.25id X 088.0l [I-Helix] (Rpld By P/N 1059130)	1
▲▲	14	N/A	(10000000-20000000) Cuff, Hose, 1.5slip X 1.25thd Blk (Rpld By P/N 1059130)	1
	N/S 220040	(10000000-20000000)	Bag, Hose, Accssry, 24x36[W/Draw String] (Optional)	1

▽ ASSEMBLY

▲ INCLUDED IN ASSEMBLY

**PUMP-UP CARPET SPRAYER**



---

<b>Ref.</b>	<b>Part No.</b>	<b>Serial Number</b>	<b>Description</b>	<b>Qty.</b>
	605848	(10000000-20000000 )	Sprayer 2gal Pumpup Hd	1

---

**DOCUMENTATION GROUP**

<b>Ref.</b>	<b>Part No.</b>	<b>Serial Number</b>	<b>Description</b>	<b>Qty.</b>
9006289		(10000000–20000000 )	Manual, Parts [Speed Ex, En – Na]	1
9003765		(10000000–20000000 )	Manual, Oprtr [Extractor, En/Es/Fr]	1
9004230		(10000000–20000000 )	Instr, Use&Care, Wallchart [Speed Ex]	1



To view, print, order, download the latest Parts manual, other language Operator manuals, and Use and Care Guides (wall charts), visit:

[www.nobles.com/manuals](http://www.nobles.com/manuals)