

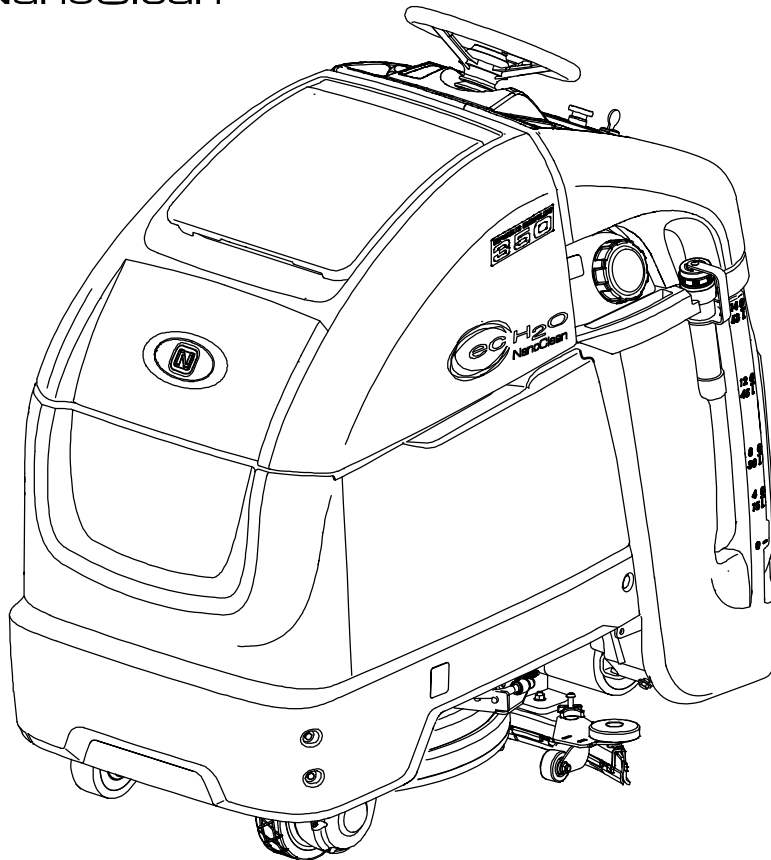


Hygenic[®] Fully Cleanable Recovery Tank
TennantTrue[®] Parts
IRIS[®] a Tennant Technology
Smart-Fill[™] Automatic Battery Watering
Insta-Click[™] Magnetic Disk

SPEED SCRUB[®] 350

STAND-ON RIDER SCRUBBER

PARTS MANUAL

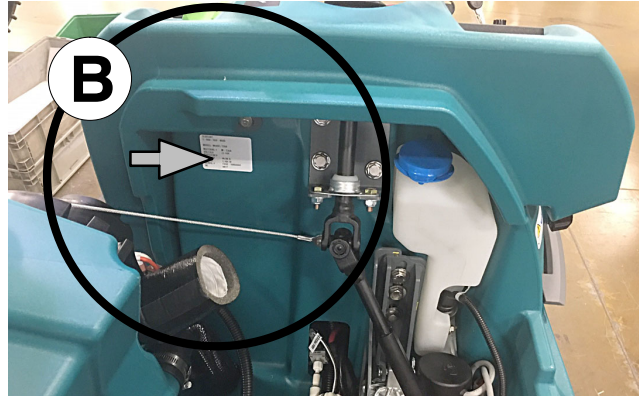
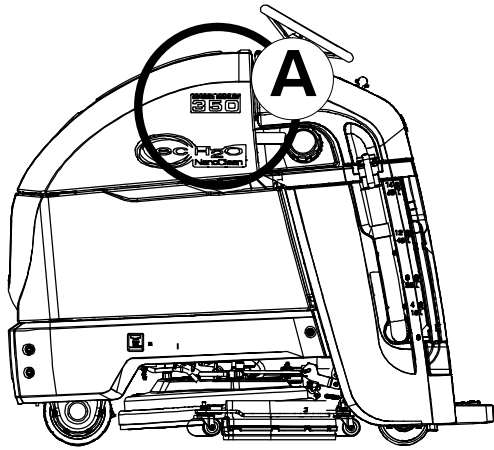


For the latest Parts manuals and other language Operator manuals, visit:

www.nobles.com/manuals

9016423
Rev. 08 (6-2024)





| Ref | Part No. | Serial Number | Description | Qty. |
|-----|----------|-----------------------|---------------------------------|------|
| 1 | 82681 | (100000000–19999999) | Bracket Wldt, Lpg Mount | 1 |
| ▽ 2 | 63810 | (100000000–19999999) | Latch Assy, Lpg Tank Mtg, W/Nut | 4 |
| ▲ 3 | 51839 | (100000000–19999999) | Nut Adjustable, Lpg Tank Mtg | 2 |
| 4 | 49263 | (100000000–19999999) | Tie, Cable | 3 |
| 5 | 82556 | (100000000–10001564) | Bracket, Vaporizer | 1 |
| 6 | 54930 | (100001567–19999999) | Vaporizer, LPG | 1 |

HOW TO ORDER PARTS – See diagram above

Only use TENNANT Company supplied or equivalent parts. Parts and supplies may be ordered online, by phone, by fax or by mail.

Follow the steps below to ensure prompt delivery.

1. **(A)** Identify the machine model.
2. **(B)** Identify the machine serial number from the data plate.
3. **(C)** Ensure the proper serial number is used from the parts list.
4. Identify the part number and quantity. Do not order by page or reference numbers.
5. Provide your name, company name, customer ID number, billing and shipping address, phone number and purchase order number.
6. Provide detail shipping instructions.

- (D)** ▽ – Identifies an assembly
 ▲ – Identifies parts included in assembly

Please fill out at time of installation for future reference.

Model No. – _____
 Serial No. – _____
 Machine Options – _____
 Sales Rep. – _____
 Sales Rep. phone no. – _____
 Customer ID Number – _____
 Installation Date – _____

Tennant Company
 14000 Clean Street
 Eden Prairie, MN 55377-2680
 Phone: (800) 553-8033
 www.nobles.com

1-STEP, Pro-Membrane, Severe Environment, Zone Settings, and Quiet-Mode are trademarks of Tennant Company.

Trojan® and Hydrolink® are registered trademarks of Trojan Battery Company.

Specifications and parts are subject to change without notice.

Copyright © 2017 – 2019, 2021 – 2024 TENNANT Company, Printed in U.S.A.

| | | |
|-----------|---|---|
| ES | <p>CÓMO SOLICITAR PIEZAS – Consulte el diagrama anterior.</p> <p>Utilice sólo las piezas suministradas por TENNANT Company o piezas equivalentes. Puede solicitar las piezas a través de internet, por teléfono, por fax o por correo.</p> <p>Siga los siguientes pasos para que la entrega sea rápida.</p> <ol style="list-style-type: none"> 1. (A) Indique el modelo de máquina. 2. (B) Indique el número de serie de la etiqueta de datos. 3. (C) Asegúrese de que indica el número de serie correcto de la lista de piezas. 4. Indique la cantidad y el número de la pieza. No realice el pedido indicando el número de página o el de referencia. 5. Incluya su nombre, el nombre de la empresa, el ID de cliente, las direcciones de envío y facturación, el número de teléfono y el número del pedido de compra. 6. Facilite instrucciones de envío. <hr/> <p>(D) ▽ – identifica un conjunto ▲ – identifica piezas de un conjunto</p> | <p>Rellene estos datos cuando realice la instalación para utilizarlos como referencia en el futuro.</p> <p>Nº modelo – _____</p> <p>Nº serie – _____</p> <p>Opciones de la máquina – _____</p> <p>Vendedor – _____</p> <p>Nº teléfono vendedor – _____</p> <p>Nº cliente – _____</p> <p>Fecha de instalación – _____</p> |
|-----------|---|---|

| | | |
|-----------|---|---|
| FR | <p>COMMENT COMMANDER DES PIÈCES DÉTACHÉES – Voir le schéma ci-dessus.</p> <p>Utilisez uniquement des pièces fournies par la société TENNANT ou équivalentes. Les pièces et fournitures peuvent être commandées en ligne, par téléphone, fax, ou par courrier.</p> <p>Suivez les étapes ci-dessous pour assurer une livraison rapide.</p> <ol style="list-style-type: none"> 1. (A) Identifiez le modèle de la machine. 2. (B) Identifiez le numéro de série de la machine, à partir de l'étiquette signalétique. 3. (C) Assurez-vous que le numéro de série correct est utilisé à partir de la liste de pièces détachées. 4. Identifiez le numéro de pièce et la quantité. Ne commandez pas par page ou numéros de référence. 5. Fournissez votre nom, le nom de votre société, votre numéro d'identification de client, l'adresse de facturation et d'expédition, le numéro de téléphone et le numéro du bon de commande. 6. Fournissez des instructions d'expédition détaillées. <hr/> <p>(D) ▽ – identifie un assemblage ▲ – identifie les pièces composant l'assemblage</p> | <p>A remplir au moment de l'installation à titre de référence.</p> <p>Nº du modèle – _____</p> <p>Nº de série – _____</p> <p>Options de la machine – _____</p> <p>Agent commercial – _____</p> <p>Nº tél. de l'agent commercial – _____</p> <p>Numéro d'identification client – _____</p> <p>Date d'installation – _____</p> |
|-----------|---|---|

GENERAL RECOMMENDED MAINTENANCE

General Recommended Maintenance Items

| Ref. | Part No. | Serial Number | Description | Qty. |
|------|----------|---------------|--|------|
| ▽ | 9016732 | (00000000- |) Parts Kit, Maint, Afmkt 500Mm [T350] | 1 |
| ▲ | 1207357 | (00000000- |) Tray, Debris, Tank, Recvy [T300] | 1 |
| ▲ | 1226410 | (00000000- |) Hose Assy, W/2cuff, 1.5d 42.5l, Pvc | 1 |
| ▲ | 1226488 | (00000000- |) Hose Assy, Drain, 1.5d X 62.2l [Pvc] (62.2L Stretched/ 40L Relaxed) | 1 |
| ▲ | 630052 | (00000000- |) Float Shut-Off (2)Ball 1.75d | 1 |
| ▲ | 1223124 | (00000000- |) Blade, Sqge, Front, 938l, Linatex[500mm] | 1 |
| ▲ | 1223125 | (00000000- |) Blade, Sqge, Rear, 1007l, Linatex[500mm] | 1 |
| ▲ | 1211537 | (00000000- |) Filter, In-Line, Pf06/Pf06 080m 2.6l Epd | 1 |
| | 1055025 | (00000000- |) Bumper, Head, 50cm, W/ Bristle Skirt, Im | 1 |
| ▽ | 9016742 | (00000000- |) Blade Kit, 500Mm, Linatex | 1 |
| ▲ | 1223125 | (00000000- |) Blade, Sqge, Rear, 1007l, Linatex[500mm] | 1 |
| ▲ | 1223124 | (00000000- |) Blade, Sqge, Front, 938l, Linatex[500mm] | 1 |
| ▽ | 9016741 | (00000000- |) Blade Kit, 500Mm, Gum (Option) | 1 |
| ▲ | 1227127 | (00000000- |) Blade, Sqge, Rear, 1007l, Gum [500mm] (Option) | 1 |
| ▲ | 1227126 | (00000000- |) Blade, Sqge, Front, 938l, Gum [500mm] (Option) | 1 |
| ▽ | 9016743 | (00000000- |) Blade Kit, 500Mm, Urethane (Option) | 1 |
| ▲ | 1227125 | (00000000- |) Blade, Sqge, Rear, 1007l, Urethane 500mm (Option) | 1 |
| ▲ | 1227124 | (00000000- |) Blade, Sqge, Front, 938l, Urethane 500mm (Option) | 1 |
| ▽ | 9016733 | (00000000- |) Parts Kit, Maint, Afmkt 600Mm [T350] | 1 |
| ▲ | 1207357 | (00000000- |) Tray, Debris, Tank, Recvy [T300] | 1 |
| ▲ | 1226410 | (00000000- |) Hose Assy, W/2cuff, 1.5d 42.5l, Pvc | 1 |
| ▲ | 1226488 | (00000000- |) Hose Assy, Drain, 1.5d X 62.2l [Pvc] (62.2L Stretched/ 40L Relaxed) | 1 |
| ▲ | 630052 | (00000000- |) Float Shut-Off (2)Ball 1.75d | 1 |
| ▲ | 1222960 | (00000000- |) Blade, Sqge, Front, 813l, Linatex[600mm] | 1 |
| ▲ | 1222961 | (00000000- |) Blade, Sqge, Rear, 861l, Linatex[600mm] | 1 |
| ▲ | 1211537 | (00000000- |) Filter, In-Line, Pf06/Pf06 080m 2.6l Epd | 1 |
| | 9011849 | (00000000- |) Bumper, Head, 60cm, Bristle Skirt | 1 |
| | 1055305 | (00000000- |) Belt, Drive, 6pj, Ej139 [T3] | 1 |
| ▽ | 9016745 | (00000000- |) Blade Kit, 600Mm, Linatex | 1 |
| ▲ | 1222961 | (00000000- |) Blade, Sqge, Rear, 861l, Linatex[600mm] | 1 |
| ▲ | 1222960 | (00000000- |) Blade, Sqge, Front, 813l, Linatex[600mm] | 1 |
| ▽ | 9016744 | (00000000- |) Blade Kit, 600Mm, Gum (Option) | 1 |
| ▲ | 1227131 | (00000000- |) Blade, Sqge, Rear, 861L, Gum 600mm (Option) | 1 |
| ▲ | 1227130 | (00000000- |) Blade, Sqge, Front, 813l, Gum 600mm (Option) | 1 |
| ▽ | 9016746 | (00000000- |) Blade Kit, 600Mm, Urethane (Option) | 1 |
| ▲ | 1227129 | (00000000- |) Blade, Sqge, Rear, 861L, Urethane 600mm (Option) | 1 |
| ▲ | 1227128 | (00000000- |) Blade, Sqge, Front, 813l, Urethane 600mm (Option) | 1 |
| ▽ | 9016804 | (00000000- |) Cable Kit, Tools, Installation, Steering | 1 |
| ▲▽ | 9016803 | (00000000- |) Cable Kit, Steering | 1 |
| ▲▲ | 1231914 | (00000000- |) Cable, Steering, Top | 1 |
| ▲▲ | 1231915 | (00000000- |) Cable, Steering, Bottom | 1 |
| ▲▲ | 1034731 | (00000000- |) Screw, Hex, M6 X 1.00 X 16, Sems, Ss | 2 |
| ▲▲ | 44961 | (00000000- |) Tie, Cable, Nyl, 14.5l .30w 4.0 Max D | 1 |
| ▲▽ | 9016802 | (00000000- |) Tool Kit, Installation, Steering | 1 |
| ▲▲ | 1233471 | (00000000- |) Gauge, Tension, Cable | 1 |
| ▲▲ | 1234220 | (00000000- |) Rod, Alignment, Wheel | 1 |

▽ ASSEMBLY

▲ INCLUDED IN ASSEMBLY

GENERAL RECOMMENDED MAINTENANCE

SECTION 2

| Contents | Page |
|---|------|
| Fig. 1 – Brushes and Pad Driver Group, 500MM Disk 3–Lug Hub | 2-2 |
| Fig. 2 – Brushes and Pad Driver Group, 500MM Disk Magnetic Hub | 2-4 |
| Fig. 3 – Brushes and Pad Driver Group, 600MM Disk 3–Lug Hub | 2-6 |
| Fig. 4 – Brushes and Pad Driver Group, 600MM Magnetic Hub | 2-8 |
| Fig. 5 – Main Frame and Rear Wheel Group . . . | 2-10 |
| Fig. 6 – Drive Wheel Group | 2-12 |
| Fig. 7 – Steering Cables and Pivot Wheel Group | 2-16 |
| Fig. 8 – Instrument Panel and Steering Group . | 2-18 |
| Fig. 9 – Operator Compartment Group | 2-20 |
| Fig. 10 – Operator Platform Group | 2-22 |
| Fig. 11 – Scrub Head Lift Group | 2-24 |
| Fig. 12 – Scrub Head Linkage Group, 500 MM Disk | 2-26 |
| Fig. 13 – Scrub Head Group, 500 MM, Magnetic Hub | 2-28 |
| Fig. 14 – Scrub Head Group, 500MM, 3–Lug Hub | 2-30 |
| Fig. 15 – Squeegee Group, 500MM | 2-32 |
| Fig. 16 – Squeegee Rail Group, 500 MM | 2-34 |
| Fig. 17 – Scrub Head Linkage Group, 600 MM Disk | 2-36 |
| Fig. 18 – Scrub Head Group, 600 MM, Magnetic Hub | 2-38 |
| Fig. 19 – Scrub Head Group, 600MM, 3–Lug Hub | 2-40 |
| Fig. 20 – Squeegee Group, 600MM | 2-42 |
| Fig. 21 – Squeegee Rail Group, 600 MM Disk . . | 2-46 |
| Fig. 22 – Recovery Tank Group | 2-48 |
| Fig. 23 – Vacuum Fan Group | 2-50 |
| Fig. 24 – Solution Tank Group | 2-52 |
| Fig. 25 – Electrical Box Group | 2-54 |
| Fig. 26 – Electrical Group | 2-56 |
| Fig. 27 – Electrical Schematic | 2-58 |
| Fig. 28 – Electical Wire Harnesses Group | 2-63 |
| Fig. 29 – Label Group | 2-78 |

Fig. 1 - Brushes and Pad Driver Group, 500MM Disk 3-Lug Hub

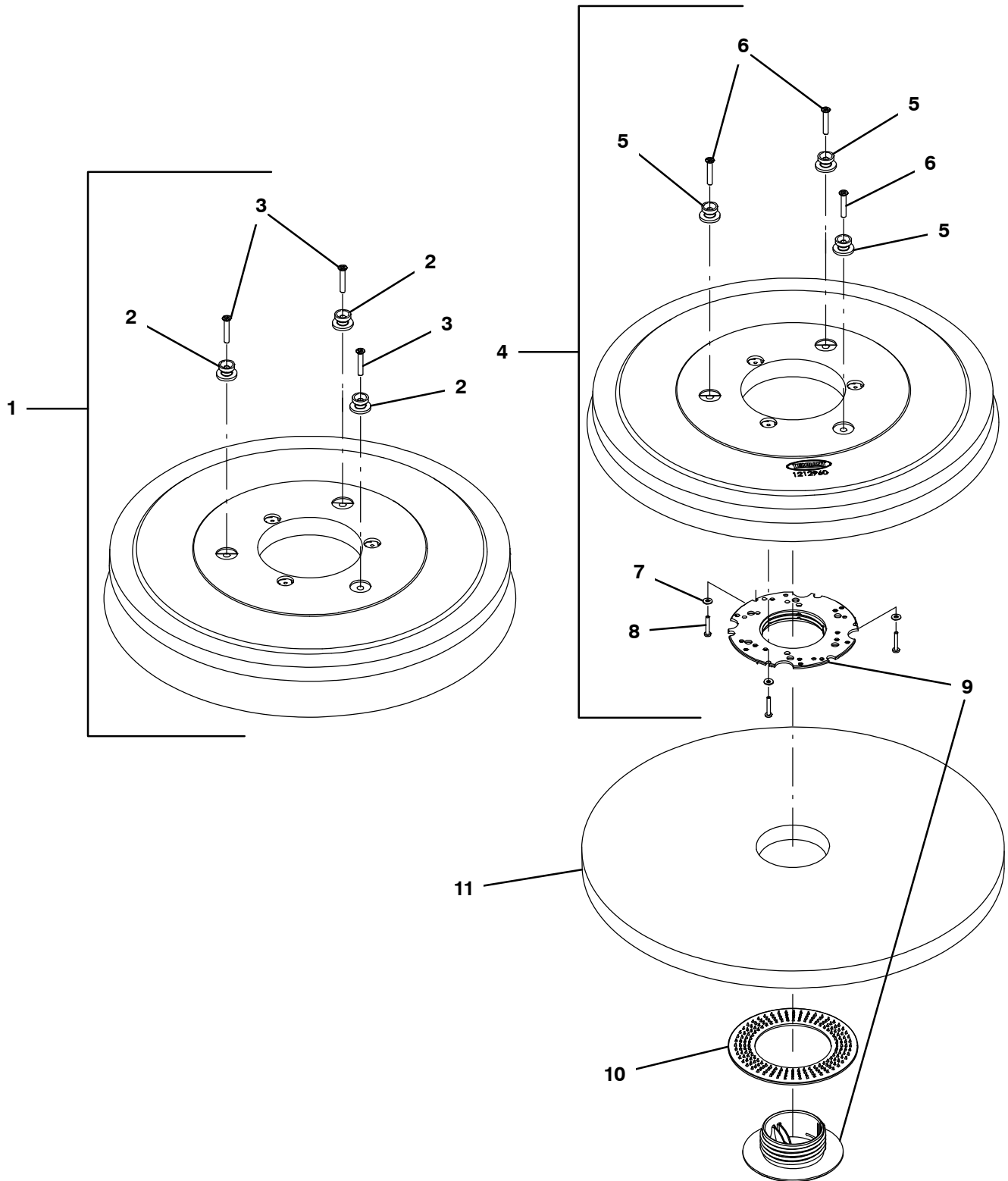


Fig. 1 – Brushes and Pad Driver Group, 500MM Disk 3–Lug Hub

| Ref. | Part No. | Serial Number | Description | Qty. |
|------|----------|---------------|--|------|
| ▽ | 1 | 1016805 | (00000000–) Brush Assy, Disk, Scb, 20.0d, Abrasive | 1 |
| ▲ | 2 | 1013018 | (00000000–) Stud, Drive, Brush Pad | 3 |
| ▲ | 3 | 1021316 | (00000000–) Screw, Flt, Phl, M6 X 1.00 X 35, Ss | 3 |
| ▽ | 1 | 1016810 | (00000000–) Brush Assy, Disk, Scb, 20.0d, Nylon | 1 |
| ▲ | 2 | 1013018 | (00000000–) Stud, Drive, Brush Pad | 3 |
| ▲ | 3 | 1021316 | (00000000–) Screw, Flt, Phl, M6 X 1.00 X 35, Ss | 3 |
| ▽ | 1 | 1016811 | (00000000–) Brush Assy, Disk, Scb, 20.0d, Polypropylene | 1 |
| ▲ | 2 | 1013018 | (00000000–) Stud, Drive, Brush Pad | 3 |
| ▲ | 3 | 1021316 | (00000000–) Screw, Flt, Phl, M6 X 1.00 X 35, Ss | 3 |
| ▽ | 4 | 1212960 | (00000000–) Driver Assy, Pad, 50cm, Brush, 3 Lug | 1 |
| ▲ | 5 | 1013018 | (00000000–) Stud, Drive, Brush Pad | 3 |
| ▲ | 6 | 1021316 | (00000000–) Screw, Flt, Phl, M6 X 1.00 X 35, Ss | 3 |
| ▲ | 7 | 41579 | (00000000–) Washer, Flat, 08, Ss | 3 |
| ▲ | 8 | 04403 | (00000000–) Screw, Pan, Phl, M4 X 0.70 X 25, Ni, Ss | 3 |
| ▲ | 9 | 32506 | (00000000–) Device, Centering, Rh Pad Retainer | 1 |
| | 10 | 32505 | (00000000–) Washer, Flat, 92b 156d 2.6l, Pad Driver | 1 |
| | 11 | 17260 | (00000000–) Pad, Polish, 20.0d, White [1pick=1pad] | 1 |
| | 11 | 17261 | (00000000–) Pad, Buff, 20.0d, Red [1pick=1pad] | 1 |
| | 11 | 17262 | (00000000–) Pad, Scb, 20.0d, Blu [1pick=1pad] | 1 |
| | 11 | 17263 | (00000000–) Pad, Stripping, 20.0d, Brown[1pick=1pad] | 1 |
| | 11 | 370094 | (00000000–) Pad, Stripping, 20.0d[Hi Prod,1pick=1pad] | 1 |
| | 11 | 1051030 | (00000000–) Pad, Surf Prep, 20.0d [Mar, 1pick=1pad] | 1 |

▽ Assembly

▲ Included In Assembly

Fig. 2 – Brushes and Pad Driver Group, 500MM Disk Magnetic Hub

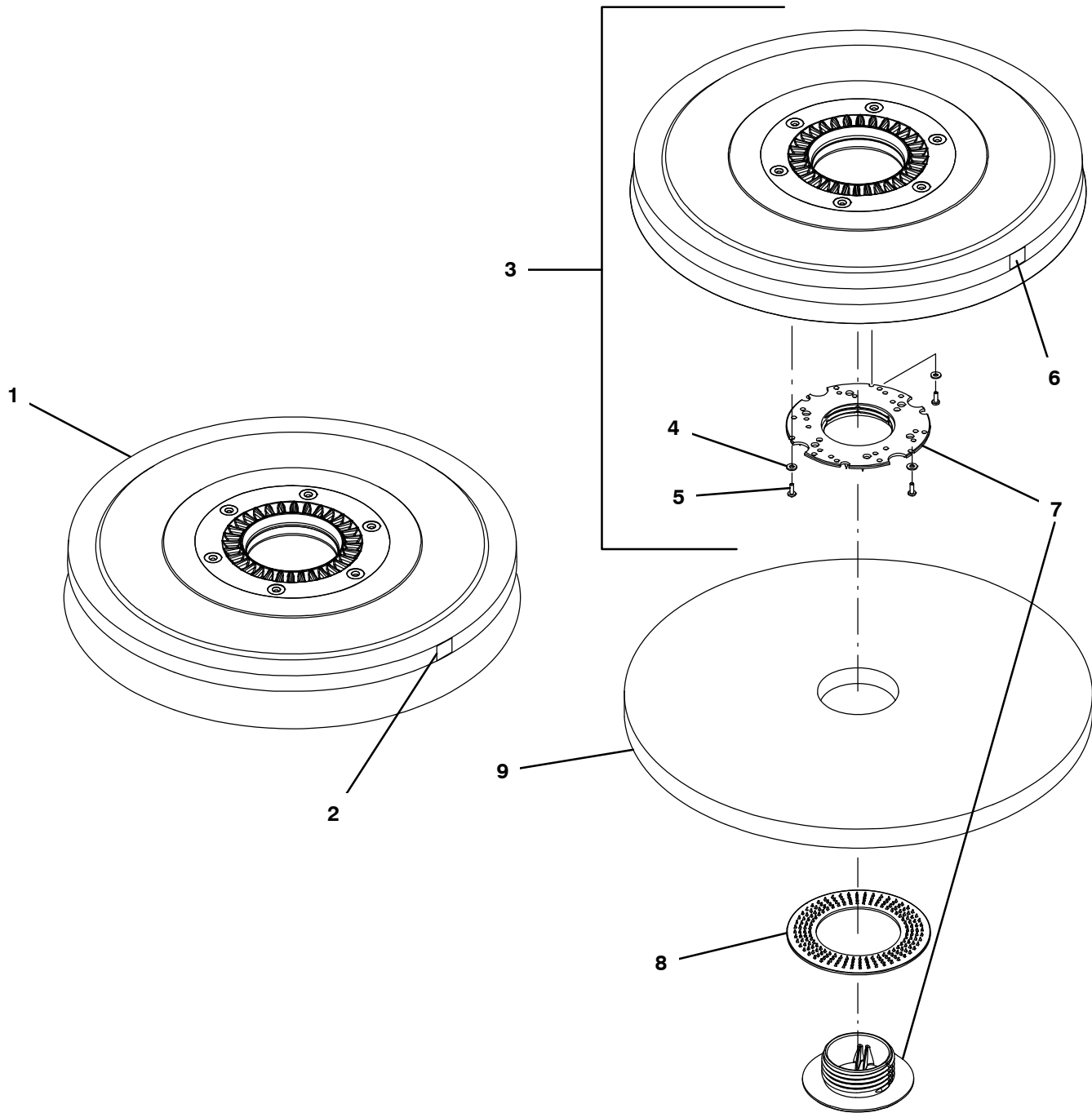


Fig. 2 – Brushes and Pad Driver Group, 500MM Disk Magnetic Hub

| | Ref. | Part No. | Serial Number | Description | Qty. |
|---|------|----------|---------------|---|------|
| ▽ | 1 | 1210386 | (00000000– |) Brush Assy, Disk, Scb, 50cm, Mag, Nylon | 1 |
| ▲ | 2 | 1218392 | (00000000– |) Label, Safety, Magnet, Med | 1 |
| ▽ | 1 | 1213032 | (00000000– |) Brush Assy, Disk, Scb, 50cm, Mag, Polypropylene | 1 |
| ▲ | 2 | 1218392 | (00000000– |) Label, Safety, Magnet, Med | 1 |
| ▽ | 1 | 1213033 | (00000000– |) Brush Assy, Disk, Scb, 50cm, Mag, Abrasive | 1 |
| ▲ | 2 | 1218392 | (00000000– |) Label, Safety, Magnet, Med | 1 |
| ▽ | 3 | 1209197 | (00000000– |) Driver Assy, Pad, 50cm, Brush, Magnetic | 1 |
| ▲ | 4 | 41579 | (00000000– |) Washer, Flat, 08, Ss | 3 |
| ▲ | 5 | 1212542 | (00000000– |) Screw, Pan, Phl, M4 X 0.70 X 12, Ni, Ss | 3 |
| ▲ | 6 | 1218392 | (00000000– |) Label, Safety, Magnet, Med | 1 |
| ▲ | 7 | 32506 | (00000000– |) Device, Centering, Rh Pad Retainer | 1 |
| | 8 | 32505 | (00000000– |) Washer, Flat, 92b 156d 2.6l, Pad Driver | 1 |
| | 9 | 17260 | (00000000– |) Pad, Polish, 20.0d, White [1pick=1pad] | 1 |
| | 9 | 17261 | (00000000– |) Pad, Buff, 20.0d, Red [1pick=1pad] | 1 |
| | 9 | 17262 | (00000000– |) Pad, Scb, 20.0d, Blu [1pick=1pad] | 1 |
| | 9 | 17263 | (00000000– |) Pad, Stripping, 20.0d, Brown[1pick=1pad] | 1 |
| | 9 | 370094 | (00000000– |) Pad, Stripping, 20.0d[Hi Prod,1pick=1pad] | 1 |
| | 9 | 1051030 | (00000000– |) Pad, Surf Prep, 20.0d [Mar, 1pick=1pad] | 1 |

▽ Assembly

▲ Included In Assembly

Fig. 3 – Brushes and Pad Driver Group, 600MM Disk 3-Lug Hub

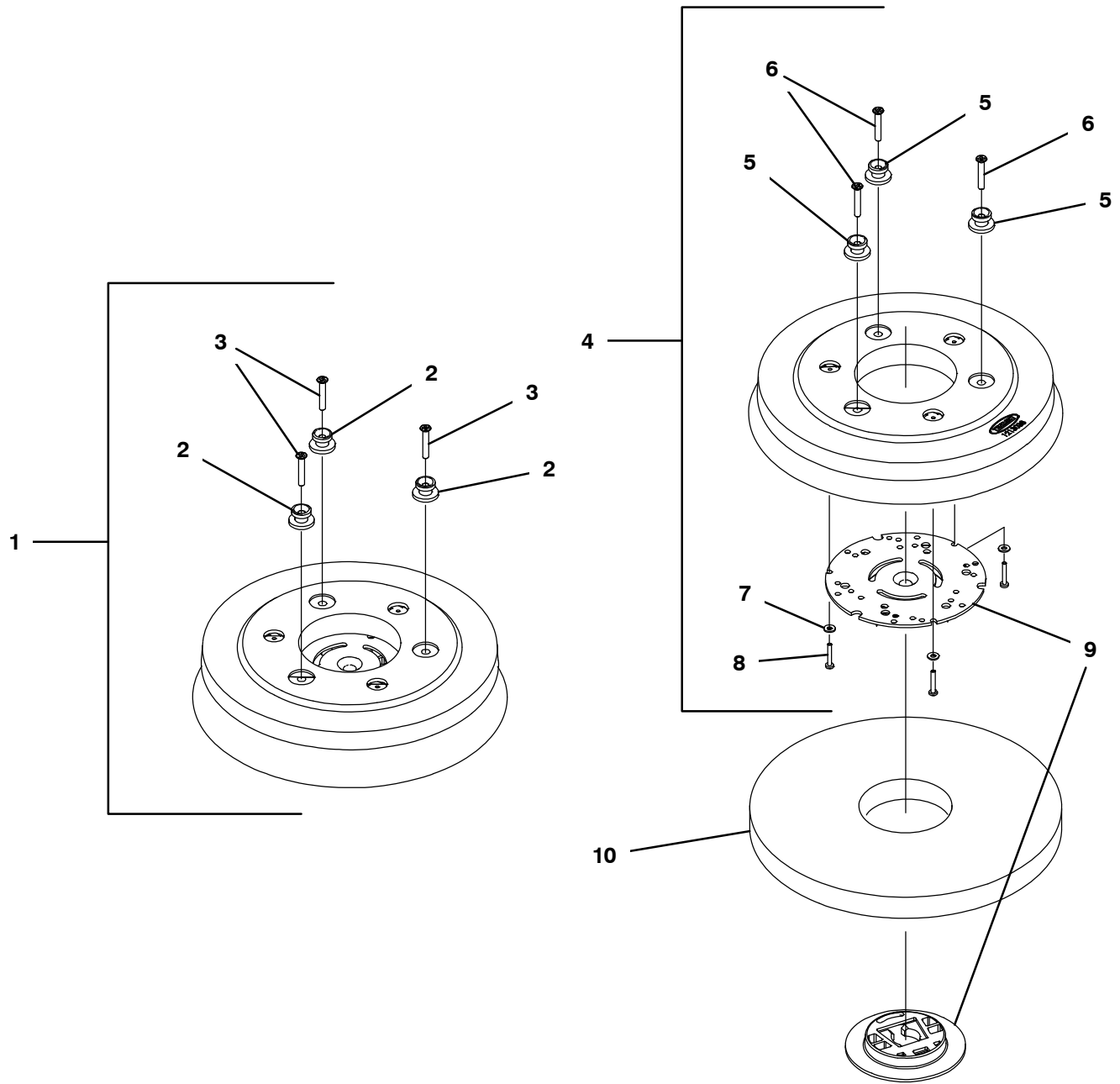


Fig. 3 – Brushes and Pad Driver Group, 600MM Disk 3–Lug Hub

| | Ref. | Part No. | Serial Number | Description | Qty. |
|---|------|----------|---------------|--|------|
| ▽ | 1 | 1056306 | (00000000– |) Brush Assy, Disk, Scb, 12.0d, 3–Lug, Nylon | 2 |
| ▲ | 2 | 1055558 | (00000000– |) Mount, Lug, Pad–Driver [T3] | 3 |
| ▲ | 3 | 1021316 | (00000000– |) Screw, Flt, Phl, M6 X 1.00 X 35, Ss | 3 |
| ▽ | 1 | 1056313 | (00000000– |) Brush Assy, Disk, Scb, 12.0d, 3–Lug, Polypropylene | 2 |
| ▲ | 2 | 1055558 | (00000000– |) Mount, Lug, Pad–Driver [T3] | 3 |
| ▲ | 3 | 1021316 | (00000000– |) Screw, Flt, Phl, M6 X 1.00 X 35, Ss | 3 |
| ▽ | 1 | 1063297 | (00000000– |) Brush Assy, Disk, Scb, 12.0d, 3–Lug, Abrasive | 2 |
| ▲ | 2 | 1055558 | (00000000– |) Mount, Lug, Pad–Driver [T3] | 3 |
| ▲ | 3 | 1021316 | (00000000– |) Screw, Flt, Phl, M6 X 1.00 X 35, Ss | 3 |
| ▽ | 4 | 1213038 | (00000000– |) Driver Assy, Pad, 30cm, Brush, 3 Lug | 2 |
| ▲ | 5 | 1055558 | (00000000– |) Mount, Lug, Pad–Driver [T3] | 3 |
| ▲ | 6 | 1021316 | (00000000– |) Screw, Flt, Phl, M6 X 1.00 X 35, Ss | 3 |
| ▲ | 7 | 41579 | (00000000– |) Washer, Flat, 08, Ss | 3 |
| ▲ | 8 | 04403 | (00000000– |) Screw, Pan, Phl, M4 X 0.70 X 25, NI, Ss | 3 |
| ▲ | 9 | 370095 | (00000000– |) Device, Centering, Clip On, TI [Gf Pp] | 1 |
| | 10 | 385940 | (00000000– |) Pad, Polish, 12.0d, White [1pick=1pad] | 2 |
| | 10 | 385941 | (00000000– |) Pad, Buff, 12.0d, Red [1pick=1pad] | 2 |
| | 10 | 385942 | (00000000– |) Pad, Scb, 12.0d, Blu [1pick=1pad] | 2 |
| | 10 | 385943 | (00000000– |) Pad, Stripping, 12.0d, Brown[1pick=1pad] | 2 |
| | 10 | 1063334 | (00000000– |) Pad, Stripping, 12.0d [Hi–Prod] Blk | 2 |
| | 10 | 1051020 | (00000000– |) Pad, Surf Prep, 12.0d [Mar, 1pick=1pad] | 2 |

▽ Assembly

▲ Included In Assembly

Fig. 4 – Brushes and Pad Driver Group, 600MM Magnetic Hub

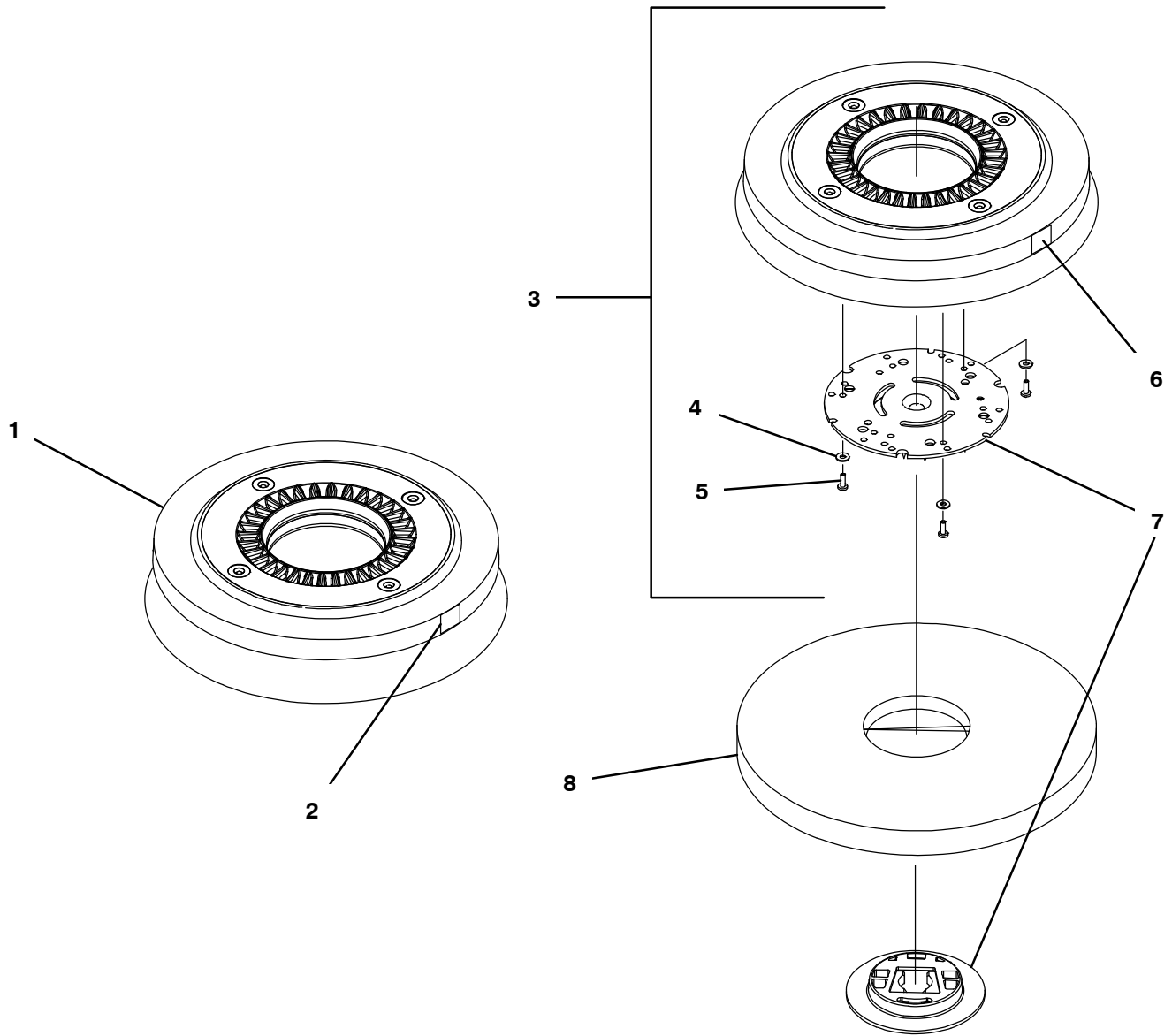


Fig. 4 – Brushes and Pad Driver Group, 600MM Magnetic Hub

| | Ref. | Part No. | Serial Number | Description | Qty. |
|---|------|----------|---------------|---|------|
| ▽ | 1 | 1210136 | (00000000– |) Brush Assy, Disk, Scb, 30cm, Mag, Nylon | 2 |
| ▲ | 2 | 1218392 | (00000000– |) Label, Safety, Magnet, Med | 1 |
| ▽ | 1 | 1213040 | (00000000– |) Brush Assy, Disk, Scb, 30cm, Mag, Polypropylene | 2 |
| ▲ | 2 | 1218392 | (00000000– |) Label, Safety, Magnet, Med | 1 |
| ▽ | 1 | 1213041 | (00000000– |) Brush Assy, Disk, Scb, 30cm, Mag, Abrasive | 2 |
| ▲ | 2 | 1218392 | (00000000– |) Label, Safety, Magnet, Med | 1 |
| ▽ | 3 | 1209160 | (00000000– |) Driver Assy, Pad, 30cm, [Magnetic] | 2 |
| ▲ | 4 | 41579 | (00000000– |) Washer, Flat, 08, Ss | 3 |
| ▲ | 5 | 1212542 | (00000000– |) Screw, Pan, Phl, M4 X 0.70 X 12, Ni, Ss | 3 |
| ▲ | 6 | 1218392 | (00000000– |) Label, Safety, Magnet, Med | 1 |
| ▲ | 7 | 370095 | (00000000– |) Device, Centering, Clip On, Tl [Gf Pp] | 1 |
| | 8 | 385940 | (00000000– |) Pad, Polish, 12.0d, White [1pick=1pad] | 2 |
| | 8 | 385941 | (00000000– |) Pad, Buff, 12.0d, Red [1pick=1pad] | 2 |
| | 8 | 385942 | (00000000– |) Pad, Scb, 12.0d, Blu [1pick=1pad] | 2 |
| | 8 | 385943 | (00000000– |) Pad, Stripping, 12.0d, Brown[1pick=1pad] | 2 |
| | 8 | 1063334 | (00000000– |) Pad, Stripping, 12.0d [Hi-Prod] Blk | 2 |
| | 8 | 1051020 | (00000000– |) Pad, Surf Prep, 12.0d [Mar, 1pick=1pad] | 2 |

▽ Assembly

▲ Included In Assembly

Fig. 5 - Main Frame and Rear Wheel Group

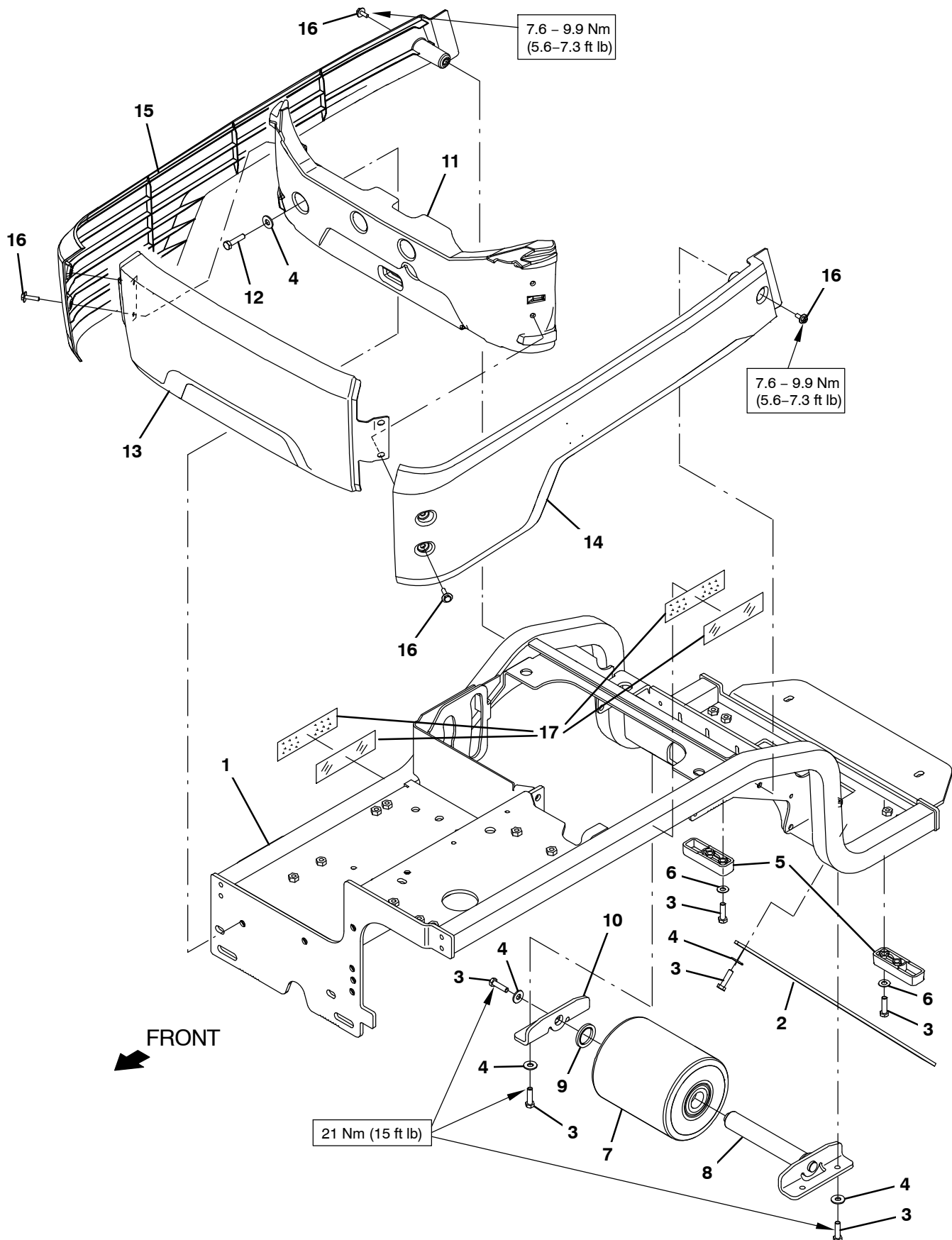


Fig. 5 – Main Frame and Rear Wheel Group

| Ref. | Part No. | Serial Number | Description | Qty. |
|------|----------|---------------|--|------|
| 1 | 1223531 | (00000000– |) Frame Wldt, Main [T350] | 1 |
| 2 | 71579 | (00000000– |) Strap, Static, W/Grommet, .19 1.1w 25.0l | 1 |
| 3 | 1016399 | (00000000– |) Screw, Hex, M8 X 1.25 X 30, NI, Ss | 10 |
| 4 | 01685 | (00000000– |) Washer, Flat, 0.38b 0.88d .08, Ss | 10 |
| 5 | 1226462 | (00000000– |) Leg, Tip | 2 |
| 6 | 140027 | (00000000– |) Washer, Flat, 0.35b 0.75d .04, Ss | 4 |
| 7 | 1234678 | (00000000– |) Wheel, 05.9D 6.89W 1.18B, W/Brg | 1 |
| 8 | 1224420 | (00000000– |) Axle Wldt, Wheel, Rear | 1 |
| 9 | 1224418 | (00000000– |) Spacer, 1.19b 1.63d 0.17t, PI | 1 |
| 10 | 1223970 | (00000000– |) Bracket, Sppt, Frame | 1 |
| 11 | 1231987 | (00000000– |) Counterweight [Mach] | 1 |
| 12 | 09023 | (00000000– |) Screw, Hex, M8 X 1.25 X 35, FI, Ss | 4 |
| 13 | 1224809 | (00000000– |) Shroud, Frame, Front | 1 |
| 14 | 1224810 | (00000000– |) Shroud, Frame, Lh | 1 |
| 15 | 1224811 | (00000000– |) Shroud, Frame, Rh | 1 |
| 16 | 1034731 | (00000000– |) Screw, Hex, M6 X 1.00 X 16, Sems, Ss | 6 |
| 17 | 370121 | (00000000– |) Fastener, 12.00L [Hook & Loop] | 1 |

Fig. 6 – Drive Wheel Group

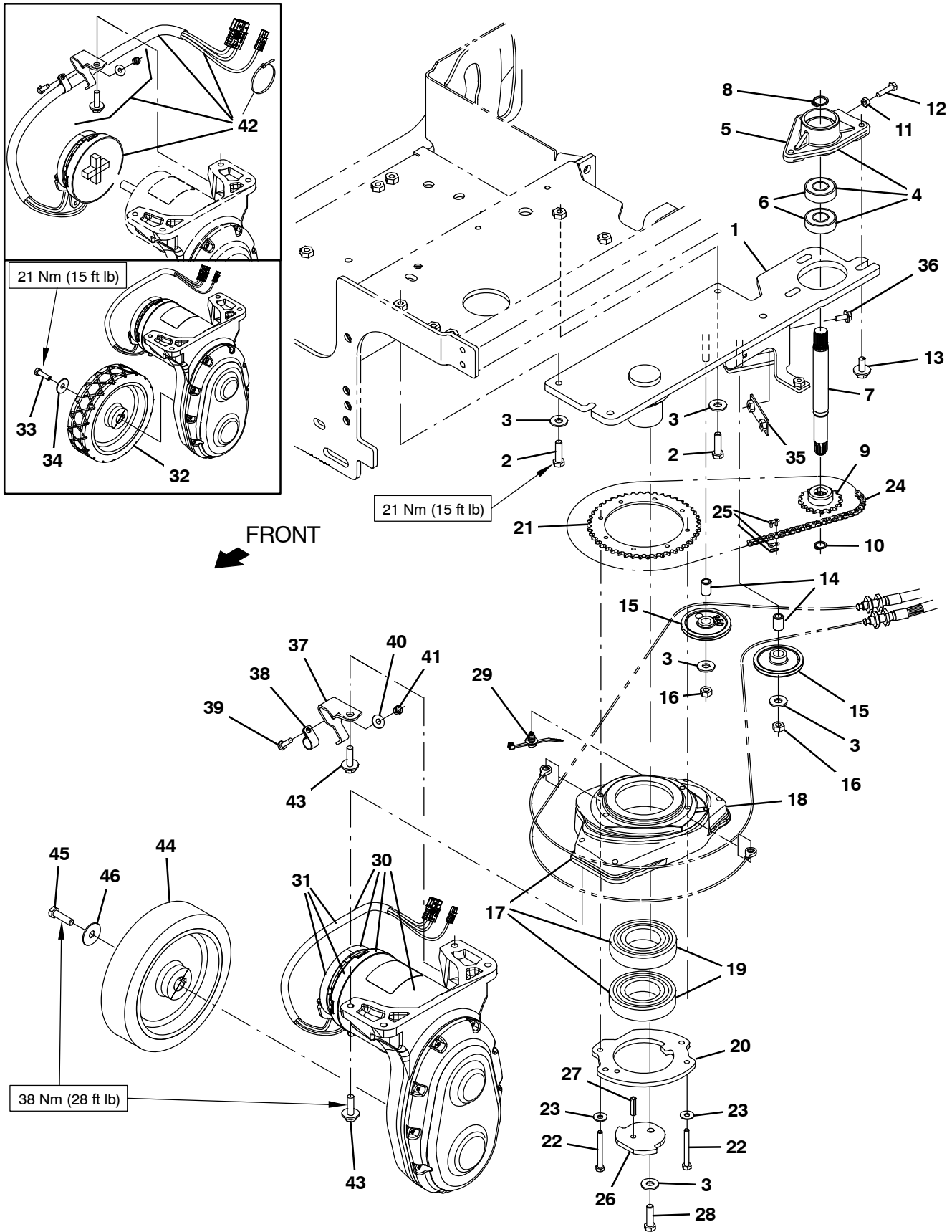


Fig. 6 – Drive Wheel Group

| Ref. | Part No. | Serial Number | Description | Qty. |
|------|----------|---------------|---|------|
| | 1 | 1232101 | (00000000–) Plate, Steering [Machined] | 1 |
| | 2 | 1016399 | (00000000–) Screw, Hex, M8 X 1.25 X 30, NI, Ss | 5 |
| | 3 | 01685 | (00000000–) Washer, Flat, 0.38b 0.88d .08, Ss | 8 |
| ▽ | 4 | 9016818 | (00000000–) Housing Kit, Bearing, Input, Ci | 1 |
| ▲ | 5 | 1224075 | (00000000–) Housing, Bearing, Input | 1 |
| ▲ | 6 | 86041 | (00000000–) Bearing, Ball, 0.67b 1.57d 0.47w | 2 |
| | 7 | 1224461 | (00000000–) Shaft, Steering, Input | 1 |
| | 8 | 1208985 | (00000000–) Ring, Retaining, Ext, 16.2mm Id, Hd | 1 |
| | 9 | 1225247 | (00000000–) Sprocket, 35, 17tooth, 0.62w, Spl | 1 |
| | 10 | 70717 | (00000000–) Ring, Retaining, Ext, 0.50d, Hd | 1 |
| | 11 | 07785 | (00000000–) Nut, Hex, Std, M6 X 1.00, Ss | 1 |
| | 12 | 09007 | (00000000–) Screw, Hex, M6 X 1.00 X 25, Ss | 1 |
| | 13 | 1020341 | (00000000–) Screw, Hex, M8 X 1.25 X 20, Ss, Sems | 3 |
| | 14 | 360930 | (00000000–) Sleeve, P/M, 0.32b 0.50d 0.8l [430ss] | 2 |
| | 15 | 1230963 | (00000000–) Guide, Cable, Plstc | 2 |
| | 16 | 07786 | (00000000–) Nut, Hex, Std, M8 X 1.25, Ss | 2 |
| ▽ | 17 | 9016819 | (00000000–) Housing Kit, Brg, Pulley, Steering, Ci | 1 |
| ▲ | 18 | 1231279 | (00000000–) Housing, Brg, Pulley, Steering | 1 |
| ▲ | 19 | 1225863 | (00000000–) Bearing, Ball, 1.77b 3.35d 0.76w | 2 |
| | 20 | 1227112 | (00000000–) Plate, Retainer, Brg | 1 |
| | 21 | 1224071 | (00000000–) Sprocket, 35, 46tooth, 3.976b | 1 |
| | 22 | 58979 | (00000000–) Screw, Hex, M6 X 1.00 X 55, FI, Ss | 4 |
| | 23 | 01684 | (00000000–) Washer, Flat, 0.27b 0.69d .05, Ss | 4 |
| | 24 | 1224061 | (00000000–) Chain, Rlr, 35 X 98 Pitches | 1 |
| | 25 | 14799 | (00000000–) Link, Chain, Rlr, 35 | 1 |
| | 26 | 1224066 | (00000000–) Plate, Mtg, Steering | 1 |
| | 27 | 23999–4 | (00000000–) Pin, Roll, .250d X 1.00l, .250/.256 | 1 |
| | 28 | 1016399 | (00000000–) Screw, Hex, M8 X 1.25 X 30, NI, Ss | 1 |
| | 29 | 1210807 | (00000000–) Wire, Tie [W/.25" Fir Tree Clip] | 1 |
| ▽ | 30 | 1217648 | (00000000–10903155) Drive Assy, Wheel, Front (Replaced By 9017772) | 1 |
| ▲ | | 1235230 | (00000000–10903155) Brush Kit, Carbon [1 Pac = 4 Pcs] | 1 |
| ▲ | | 1235231 | (00000000–10903155) Brake, Parking, Kit | 1 |
| ▽ | 30 | 1238284 | (10903156–11025502) Drive Assy, Wheel, Front (Replaced By 9017772) | 1 |
| ▲ | | 1235230 | (10903156–11025502) Brush Kit, Carbon [1 Pac = 4 Pcs] | 1 |
| ▲ | | 1235231 | (10903156–11025502) Brake, Parking, Kit | 1 |
| ▲ | 31 | 9017775 | (10903156–11025502) Harness Kit, Drive | 4 |
| ▽ | 30 | 1252245 | (11025503–) Drive Assy, Wheel, Front | 1 |
| ▲ | | 1235230 | (11025503–) Brush Kit, Carbon [1 Pac = 4 Pcs] | 1 |
| ▲ | | 1235231 | (11025503–) Brake, Parking, Kit | 1 |
| ▲ | 31 | 9017775 | (11025503–) Harness Kit, Drive | 4 |

CONTINUED

▽ Assembly

▲ Included in Assembly

STANDARD PARTS

Fig. 6 – Drive Wheel Group

| Ref. | Part No. | Serial Number | Description | Qty. |
|------|----------|----------------------|--|------|
| 32 | 1224132 | (00000000-11025502) | Wheel, Drive, 190mmd 50mmw 19mmb | 1 |
| 33 | 1016399 | (00000000-11025502) | Screw, Hex, M8 X 1.25 X 30, NI, Ss | 1 |
| 34 | 32662 | (00000000-11025502) | Washer, Flat, 0.38b 1.22d .06, Ss | 1 |
| 35 | 1232244 | (00000000-) | Plate Wldt, Keeper, Cable | 1 |
| 36 | 1034731 | (00000000-) | Screw, Hex, M6 X 1.00 X 16, Sems, Ss | 2 |
| 37 | 1239387 | (10903156-) | Bracket, Sptt, Harness | 1 |
| 38 | 26395-1 | (10903156-) | Clamp, Cable, Stl, 0.56d X 0.38w, 1hole | 1 |
| 39 | 08716 | (10903156-) | Screw, Hex, M6 X 1.00 X 20, Ss | 1 |
| 40 | 01684 | (10903156-) | Washer, Flat, 0.27b 0.69d .05, Ss | 1 |
| 41 | 08712 | (10903156-) | Nut, Hex, Lock, M6 X 1.00, NI, Ss | 1 |
| 42 | 9017775 | (00000000-10903155) | Harness Kit, Drive (Upgrade Kit for 1217648) | 1 |
| 43 | 1072816 | (00000000-) | Screw, Hex, M8 X 1.25 X 30, Ss, Sems | 4 |
| 44 | 1253390 | (11025503-) | Wheel, Drive, 190Mmd 54.5Mmw 24.9Mmb | 1 |
| 45 | 09770 | (11025503-) | Screw, Hex, M10 X 1.50 X 25, NI, Ss | 1 |
| 46 | 1014563 | (11025503-) | Washer, Flat, 0.40B 1.12D .12, Ss | 1 |

▽ Assembly

▲ Included in Assembly



Fig. 7 – Steering Cables and Pivot Wheel Group

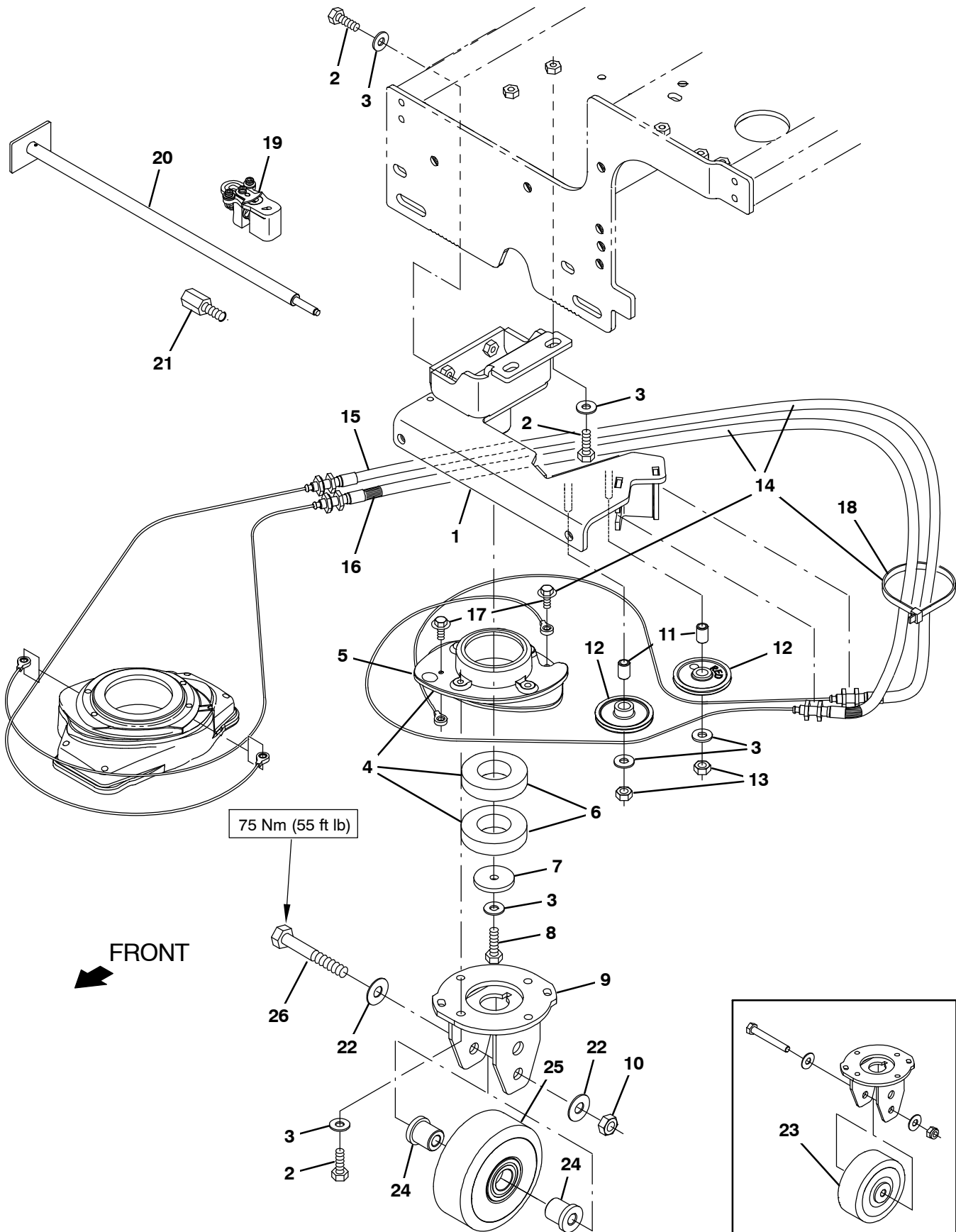


Fig. 7 – Steering Cables and Pivot Wheel Group

| Ref. | Part No. | Serial Number | Description | Qty. |
|------|----------|---------------|--|------|
| | 1 | 1231265 | (00000000–) Mount Wldt, Wheel, Rh | 1 |
| | 2 | 09010 | (00000000–) Screw, Hex, M8 X 1.25 X 25, Ss | 10 |
| | 3 | 01685 | (00000000–) Washer, Flat, 0.38b 0.88d .08, Ss | 13 |
| ▽ | 4 | 9016820 | (00000000–) Housing Kit, Bearing, Rh, Ci | 1 |
| ▲ | 5 | 1231084 | (00000000–) Housing, Bearing, Rh | 1 |
| ▲ | 6 | 24899 | (00000000–) Bearing, Ball, 1.38b 2.83d 0.67w | 2 |
| | 7 | 1230109 | (00000000–) Plate, Mtg, Steering | 1 |
| | 8 | 1016399 | (00000000–) Screw, Hex, M8 X 1.25 X 30, NI, Ss | 1 |
| | 9 | 1230131 | (00000000–) Retainer Wldt, Brg | 1 |
| | 10 | 08711 | (00000000–) Nut, Hex, Lock, M12 X 1.75, NI | 1 |
| | 11 | 360930 | (00000000–) Sleeve, P/M, 0.32b 0.50d 0.8l [430ss] | 2 |
| | 12 | 1230963 | (00000000–) Guide, Cable, Plstc | 2 |
| | 13 | 07786 | (00000000–) Nut, Hex, Std, M8 X 1.25, Ss | 2 |
| ▽ | | 9016804 | (00000000–) Cable Kit, Tools, Installation, Steering | 1 |
| ▲▽ | 14 | 9016803 | (00000000–) Cable Kit, Steering | 1 |
| ▲▲ | 15 | 1231914 | (00000000–) Cable, Steering, Top (Requires tool kit 9016802) | 1 |
| ▲▲ | 16 | 1231915 | (00000000–) Cable, Steering, Bottom (Requires tool kit 9016802) | 1 |
| ▲▲ | 17 | 1034731 | (00000000–) Screw, Hex, M6 X 1.00 X 16, Sems, Ss | 2 |
| ▲▲ | 18 | 44961 | (00000000–) Tie, Cable, Nyl, 14.5l .30w 4.0 Max D | 1 |
| ▲▽ | | 9016802 | (00000000–) Tool Kit, Installation, Steering | 1 |
| ▲▲ | 19 | 1233471 | (00000000–) Gauge, Tension, Cable | 1 |
| ▲▲ | 20 | 1234220 | (00000000–) Rod, Alignment, Wheel | 1 |
| ▲▲ | 21 | 1265271 | (00000000–) Fitting, Adapter M8x1.25 Fem/M10x1.5 Mal | 1 |
| | 22 | 140045 | (00000000–) Washer, Flat, 0.51B 1.25D .06, Ss | 2 |
| | 23 | 9020908 | (00000000–10995775) Rh Wheel Kit, Afmkt | 1 |
| | 24 | 1249504 | (10995776–) Spacer, Axle, Rh Wheel | 2 |
| | 25 | 1249473 | (10995776–) Wheel, 5.00D 2.00W 0.98B | 1 |
| | 26 | 1233080 | (00000000–) Screw, Hex, M12 X 1.75 X 90, Ss | 1 |

▽ Assembly

▲ Included In Assembly

Fig. 8 – Instrument Panel and Steering Group

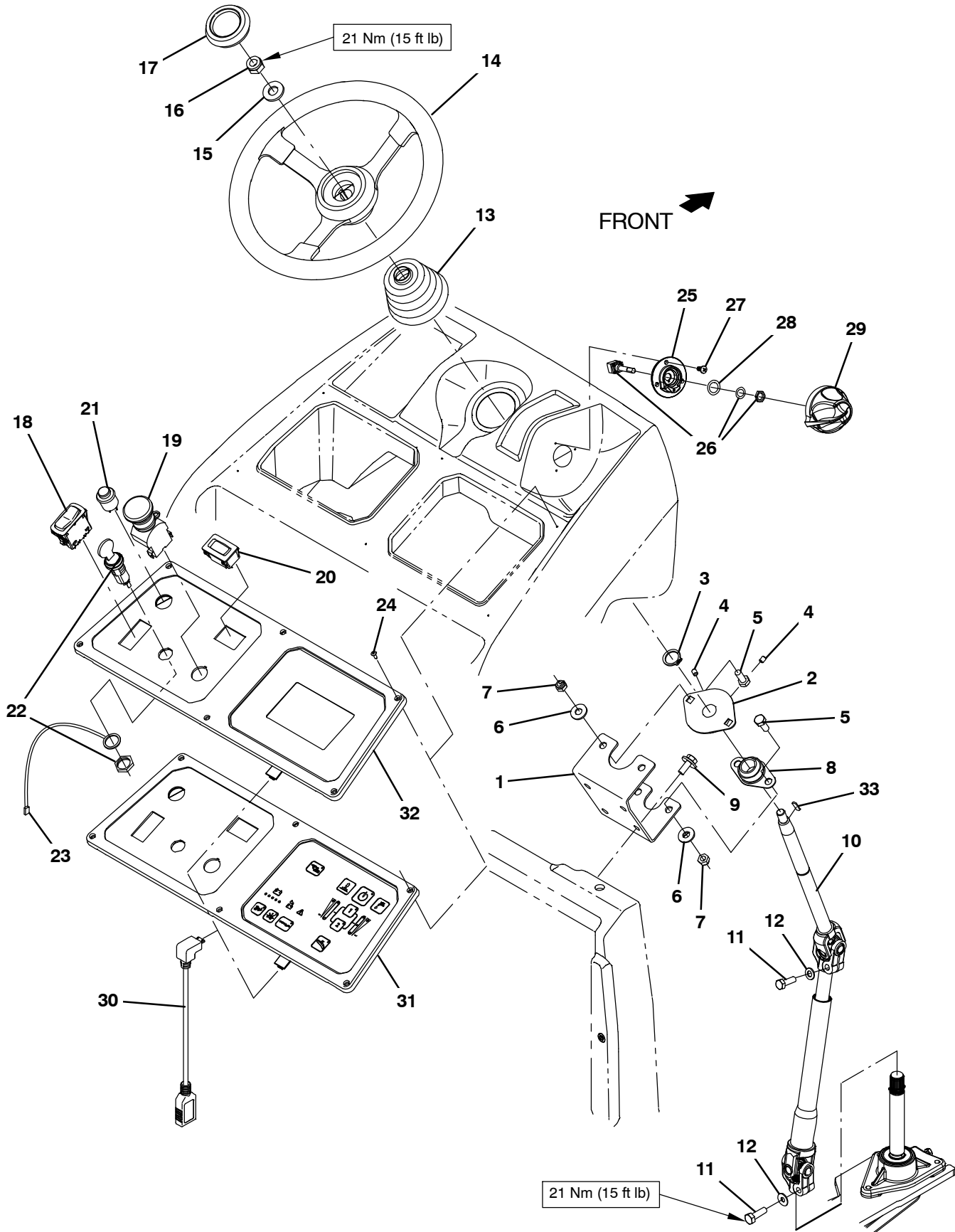


Fig. 8 – Instrument Panel and Steering Group

| Ref. | Part No. | Serial Number | Description | Qty. | |
|------|----------|--------------------|--|--|---|
| 1 | 1223723 | (00000000– |) Bracket, Steering | 1 | |
| 2 | 1057554 | (00000000– |) Bearing, Flng, 2hole, 0.75b | 1 | |
| 3 | 26428 | (00000000– |) Ring, Retaining, Ext, 0.75d, Hd | 1 | |
| 4 | 09162 | (00000000– |) Screw, Set, M6 X 1.00 X 8, NI | 2 | |
| 5 | 16931 | (00000000– |) Screw, Hex, M8 X 1.25 X 20, 8.8 | 4 | |
| 6 | 32491 | (00000000– |) Washer, Flat, 0.31, Std | 4 | |
| 7 | 08709 | (00000000– |) Nut, Hex, Lock, M8 X 1.25, NI | 4 | |
| 8 | 223065 | (00000000– |) Bearing, Flng, 2hole, 0.75b [Nyl] | 1 | |
| 9 | 1020341 | (00000000– |) Screw, Hex, M8 X 1.25 X 20, Ss, Sems | 4 | |
| 10 | 9017659 | (00000000–10890645 |) Shaft Kit, Steering, Replmt [350/SS350] | 1 | |
| 10 | 1265162 | (10890646– |) Shaft Assy, Steering, T350 | 1 | |
| 11 | 39277 | (00000000– |) Washer, Flat, 0.31, Sae | 2 | |
| 12 | 39349 | (00000000– |) Washer, Flat, 0.27b 0.69d .05, Ss | 2 | |
| 13 | 1012437 | (00000000– |) Bellows, Shaft, Steering | 1 | |
| 14 | 1012002 | (00000000– |) Wheel, Steering, 300mm | 1 | |
| 15 | 64154 | (00000000– |) Washer, Flat, 0.53b 1.12d .11, Stl, PI | 1 | |
| 16 | 08711 | (00000000– |) Nut, Hex, Lock, M12 X 1.75, NI | 1 | |
| 17 | 1019706 | (00000000– |) Cap, Wheel, Steering | 1 | |
| 18 | 1223393 | (00000000– |) Switch, Rocker, Dpdt, On / None / On | 1 | |
| 19 | 1011735 | (00000000– |) Switch, Safety, Shutoff | 1 | |
| 20 | 1064038 | (00000000– |) Gauge, Hourmeter, 05–277 Volt, Ac / Dc | 1 | |
| 21 | 1014832 | (00000000– |) Switch, Horn | 1 | |
| ▽ | 22 | 1011402 | (00000000– |) Switch, Key | 1 |
| ▲ | | 1017696 | (00000000– |) Key Set, Replmtm [F/Keyswitch 1011402] | 1 |
| 23 | 1073037 | (00000000– |) Harness, Ele [Key Sw.,Static Gnd] | 1 | |
| 24 | 140825 | (00000000– |) Screw, Pan, Phl, 06 X 0.50, Fmg/Ab, Blk | 6 | |
| 25 | 1227247 | (00000000– |) Mount, Knob, Spd | 1 | |
| 26 | 1229564 | (00000000– |) Potentiometer, Cntrl, Spd | 1 | |
| 27 | 1018155 | (00000000– |) Screw, Pan, Phl, M5 X 0.80 X 16, Tcut,Ss | 3 | |
| 28 | 1227248 | (00000000– |) Seal, O–Ring, #210, Nbr, Ptfе Coat | 1 | |
| 29 | 1226135 | (00000000– |) Knob, Spd | 1 | |
| 30 | 1228665 | (00000000– |) Cable [USB, Mini–B, Male 90D, Female] | 1 | |
| 31 | 9040204* | (00000000–11003112 |) Control Kit, Membrane, Ci | 1 | |
| 31 | 9021345* | (11003113– |) Control Kit, Membrane, Ci | 1 | |
| 32 | 9040205* | (00000000–11003112 |) Control Kit, Pro–Panl, Ci | 1 | |
| 32 | 9021348* | (11003113– |) Control Kit, Pro–Panl, Ci | 1 | |
| 33 | 1234681 | (00000000–10890645 |) Key, Sq, 5Mm X 5Mm X 16Mml | 1 | |
| 33 | 1014328 | (10890646– |) Key, Sq, 5Mm X 5Mm X 25Mml | 1 | |

* Requires Tennant *True* service or an authorized Tennant service provider.

▽ Assembly

▲ Included in Assembly

Fig. 9 – Operator Compartment Group

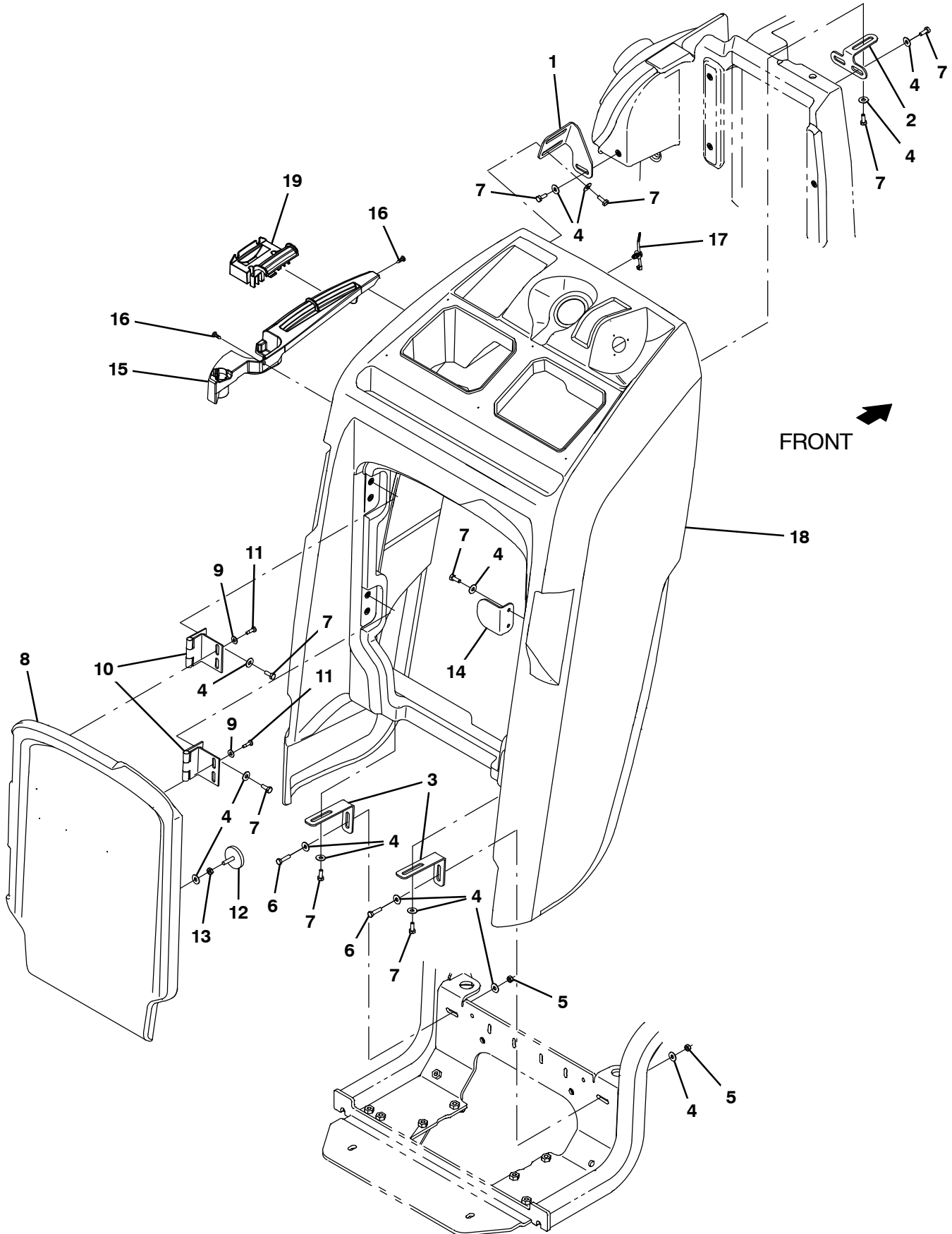


Fig. 9 – Operator Compartment Group

| Ref. | Part No. | Serial Number | Description | Qty. |
|------|----------|---------------|--|------|
| 1 | 1225927 | (00000000– |) Bracket, Lh Upper, Op Station | 1 |
| 2 | 1225928 | (00000000– |) Bracket, Rh Upper, Op Station | 1 |
| 3 | 1225929 | (00000000– |) Bracket, Lower, Op Station | 2 |
| 4 | 01684 | (00000000– |) Washer, Flat, 0.27b 0.69d .05, Ss | 17 |
| 5 | 07785 | (00000000– |) Nut, Hex, Std, M6 X 1.00, Ss | 2 |
| 6 | 1016005 | (00000000– |) Screw, Hex, M6 X 1.00 X 25, NI, Fl, Ss | 2 |
| 7 | 11329 | (00000000– |) Screw, Hex, M6 X 1.00 X 16, NI, Ss | 12 |
| 8 | 9016796 | (00000000– |) Door, Access, Oprtr, Na W/Labels | 1 |
| 9 | 19066 | (00000000– |) Washer, Flat, 0.25b 0.56d .05, Pl, 10 | 4 |
| 10 | 1209466 | (00000000– |) Hinge, 6mm Pin 2.5 73.5mmw 60.0mml, Bent | 2 |
| 11 | 1043573 | (00000000– |) Screw, #10–14 X 0.675, Spl[Shcs,Selftap] | 4 |
| 12 | 1202779 | (00000000– |) Magnet, Latch, Brush Door | 1 |
| 13 | 32520 | (00000000– |) Nut, Hex, Jam, .25–20 | 1 |
| 14 | 1225926 | (00000000– |) Bracket, Magnet | 1 |
| 15 | 1237554 | (00000000– |) Rail, Accessory [T350] | 1 |
| 16 | 1018155 | (00000000– |) Screw, Pan, Phl, M5 X 0.80 X 16, Tcut,Ss | 2 |
| 17 | 1210807 | (00000000– |) Wire, Tie [W/.25" Fir Tree Clip] | 4 |
| 18 | 1226315 | (00000000– |) Shroud, Oprtr, Trimmed, Rm–Csp | 1 |
| 19 | 1214292 | (00000000– |) Bracket, hanger, Rail, Lrg | 1 |

Fig. 10 – Operator Platform Group

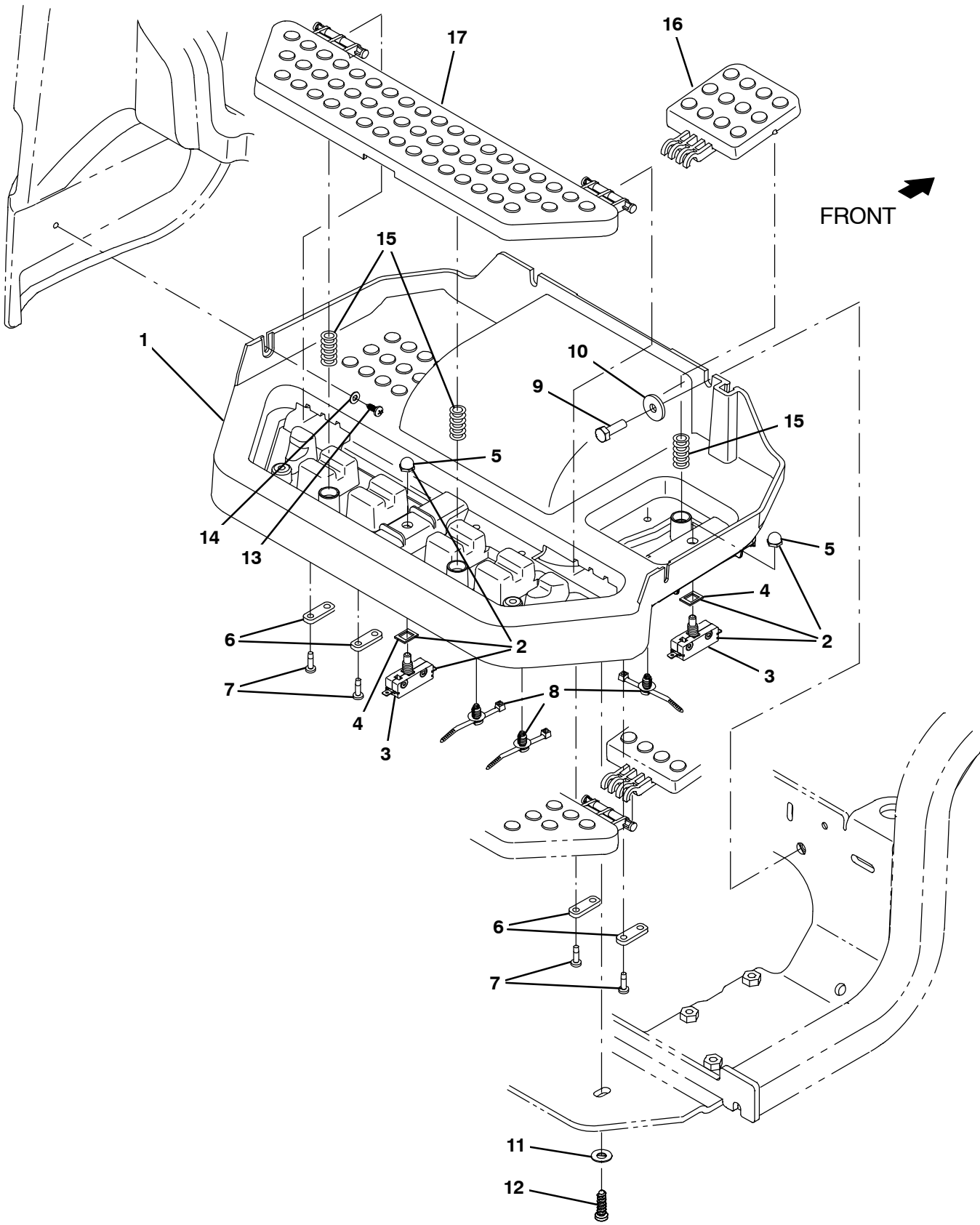


Fig. 10 – Operator Platform Group

| Ref. | Part No. | Serial Number | Description | Qty. |
|------|----------|---------------|---|------|
| | 1 | 1239015 | (00000000–) Support, Deck | 1 |
| ∇ | 2 | 9018095 | (00000000–) Switch Kit, Pedal, Modif | 2 |
| ▲ | 3 | 1229309 | (00000000–) Switch, Push, Spst, No | 1 |
| ▲ | 4 | 1238693 | (00000000–) Spacer, Switch, Pedal | 1 |
| ▲ | 5 | 1035711 | (00000000–) Boot, Switch, Hex nut, .38–32 Thd | 1 |
| | 6 | 1221894 | (00000000–) Plate, Retainer, Pedals | 4 |
| | 7 | 1043573 | (00000000–) Screw, #10–14 X 0.675, Spl[Shcs,Selftap] | 8 |
| | 8 | 1210807 | (00000000–) Wire, Tie [W/.25" Fir Tree Clip] | 3 |
| | 9 | 12333 | (00000000–) Screw, Hex, M8 X 1.25 X 25, Ss, NI | 2 |
| | 10 | 1017218 | (00000000–) Washer, Flat, 0.32b 1.00d .12, Ss | 2 |
| | 11 | 140027 | (00000000–) Washer, Flat, 0.35b 0.75d .04, Ss | 2 |
| | 12 | 1215863 | (00000000–) Screw, Pan, Torx, M8 X 3.5 X 25[Remform] | 2 |
| | 13 | 1018155 | (00000000–) Screw, Pan, Phl, M5 X 0.80 X 16, Tcut,Ss | 2 |
| | 14 | 140011 | (00000000–) Washer, Flat, 0.21b 0.45d .03, Ss | 2 |
| | 15 | 1226998 | (00000000–) Spring, Cmpr, 0.500d, 0.041wir, 1.00l | 3 |
| | 16 | 1221519 | (00000000–) Pedal, Propel (Green Go) | 1 |
| | 17 | 1221516 | (00000000–) Pedal, Safety (Operator Presence) | 1 |

∇ Assembly

▲ Included in Assembly

Fig. 11 - Scrub Head Lift Group

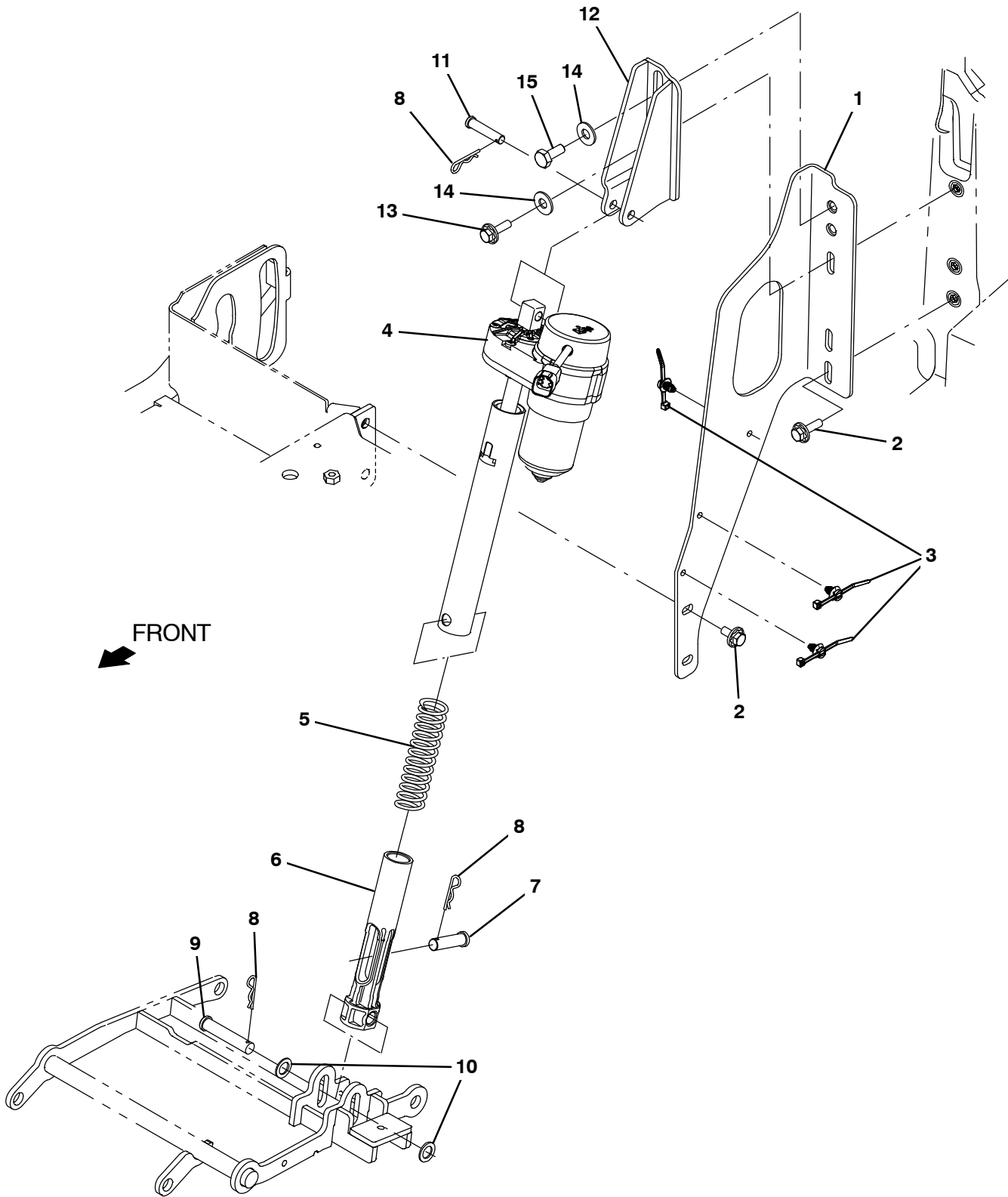


Fig. 11 – Scrub Head Lift Group

| Ref. | Part No. | Serial Number | Description | Qty. |
|------|----------|---------------|--|------|
| 1 | 9040110 | (00000000- |) Plate Wldt Kit, Actuator, Ci [T350] | 1 |
| 2 | 1020341 | (00000000- |) Screw, Hex, M8 X 1.25 X 20, Ss, Sems | 4 |
| 3 | 1210807 | (00000000- |) Wire, Tie [W/.25" Fir Tree Clip] | 3 |
| 4 | 9040109 | (00000000- |) Actuator Kit, Ci [T350] | 1 |
| 5 | 1228678 | (00000000- |) Spring, Cmpr, 1.22od .12wir 5.0l | 1 |
| 6 | 1221544 | (00000000- |) Tube, Plunger, Spring | 1 |
| 7 | 43290 | (00000000- |) Pin, Clevis, 0.50d X 1.75l | 1 |
| 8 | 44906 | (00000000- |) Pin, Cotter, Hair, 0.38d .093 Wir | 3 |
| 9 | 06279 | (00000000- |) Pin, Clevis, 0.50d X 2.50l | 1 |
| 10 | 140058 | (00000000- |) Washer, Flat, 0.54b 0.88d .06, Ss [Wand] | 2 |
| 11 | 17461 | (00000000- |) Pin, Clevis, 0.37d X 1.75l | 1 |
| 12 | 1229697 | (00000000- |) Bracket, Wldt, Mtg, Actuator | 1 |
| 13 | 1072816 | (00000000- |) Screw, Hex, M8 X 1.25 X 30, Ss, Sems | 1 |
| 14 | 01686 | (00000000- |) Washer, Flat, 0.44b 1.00d .08, Ss | 3 |
| 15 | 09770 | (00000000- |) Screw, Hex, M10 X 1.50 X 25, NI, Ss | 2 |

Fig. 12 – Scrub Head Linkage Group, 500 MM Disk

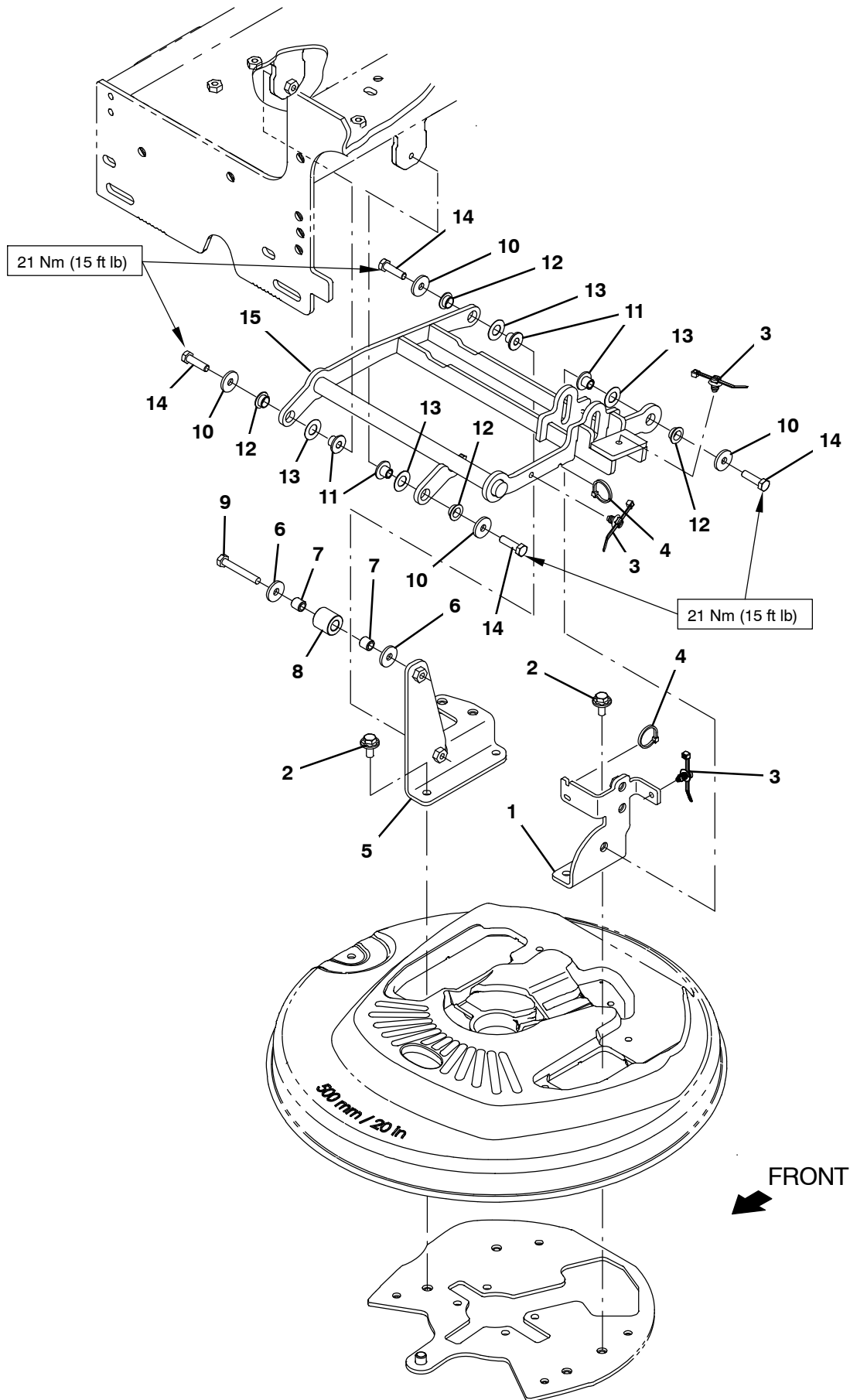


Fig. 12 – Scrub Head Linkage Group, 500 MM Disk

| Ref. | Part No. | Serial Number | Description | Qty. |
|------|----------|---------------|--|------|
| 1 | 1222752 | (00000000- |) Bracket Wldt, Head Mtg, 50d, Short | 1 |
| 2 | 1020341 | (00000000- |) Screw, Hex, M8 X 1.25 X 20, Ss, Sems | 4 |
| 3 | 1210807 | (00000000- |) Wire, Tie [W/.25" Fir Tree Clip] | 3 |
| 4 | 49263 | (00000000- |) Tie, Cable, Nyl, 11.4l .19w 3.0 Max D | 2 |
| 5 | 1222636 | (00000000- |) Bracket Wldt, Mtg, Head, 50d, Tall | 1 |
| 6 | 1017218 | (00000000- |) Washer, Flat, 0.32b 1.00d .12, Ss | 2 |
| 7 | 222460 | (00000000- |) Sleeve, P/M, 0.32b 0.50d 0.5l [430ss] | 2 |
| 8 | 1014020 | (00000000- |) Roller, 0.99d 0.50b 0.95l, Acetal | 1 |
| 9 | 222504 | (00000000- |) Screw, Hex, M8 X 1.25 X 55, Ss | 1 |
| 10 | 1017218 | (00000000- |) Washer, Flat, 0.32b 1.00d .12, Ss | 4 |
| 11 | 1225659 | (00000000- |) Bushing, Fing, 8.3b 11.8d 9.7l | 4 |
| 12 | 1225660 | (00000000- |) Bushing, Fing, 12.0b 7.0l 14.0d, Plstc | 4 |
| 13 | 89710 | (00000000- |) Washer, Flat, 0.51b 1.00d .03, Nyl | 4 |
| 14 | 1016399 | (00000000- |) Screw, Hex, M8 X 1.25 X 30, NI, Ss | 4 |
| 15 | 1223319 | (00000000- |) Lift Wldt, Head, Disk, 50cm | 1 |

Fig. 13 – Scrub Head Group, 500 MM, Magnetic Hub

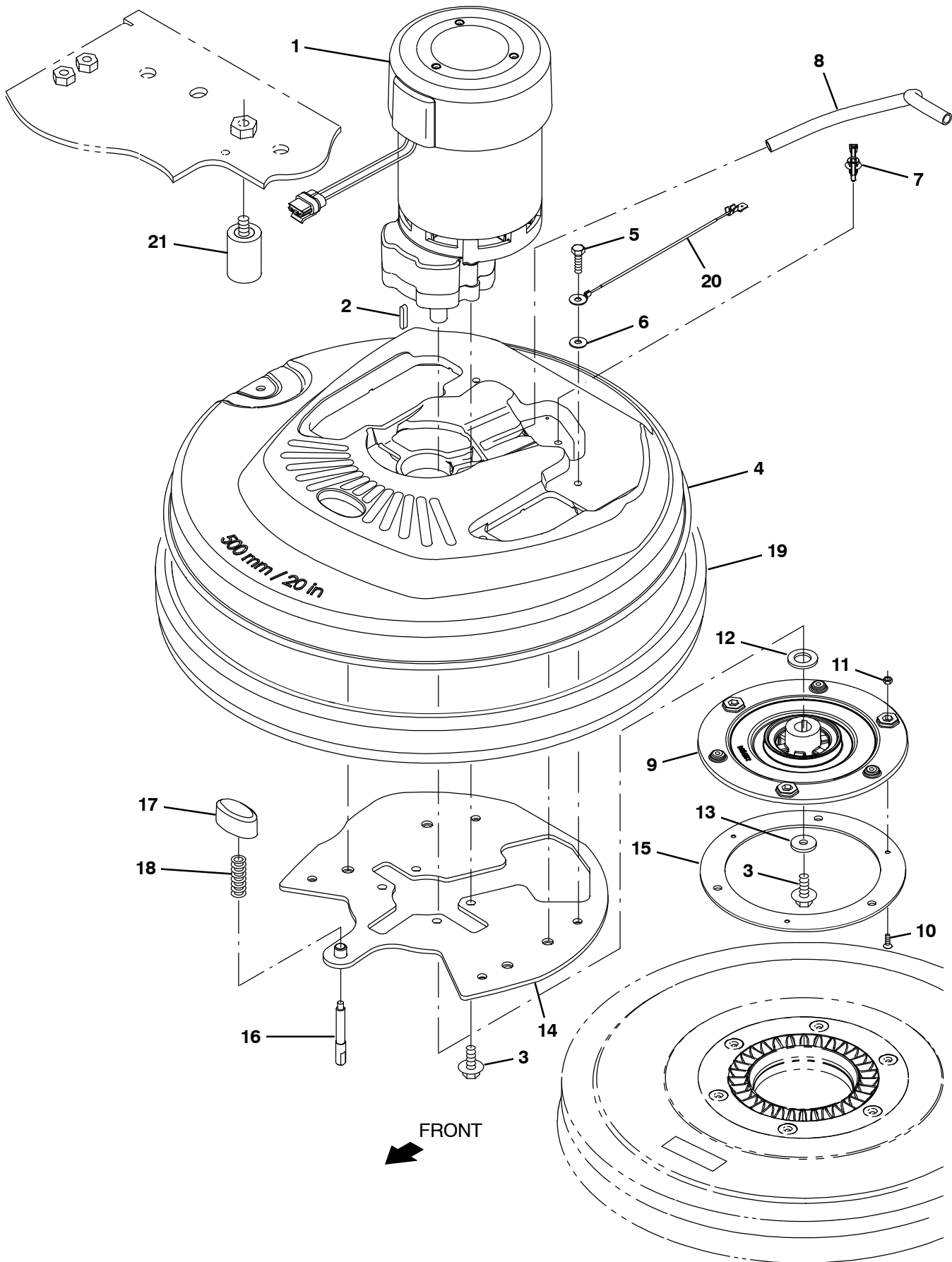


Fig. 13 – Scrub Head Group, 500 MM, Magnetic Hub

| | Ref. | Part No. | Serial Number | Description | Qty. |
|---|------|----------|---------------|--|------|
| ▽ | 1 | 1226976 | (00000000- |) Motor, Ele, 24vdc 0215rpm 650w, 17mm | 1 |
| ▲ | | 1227273 | (00000000- |) Brush Kit, Motor, Ele (4Pc) | 1 |
| ▲ | 2 | 1014328 | (00000000- |) Key, Sq, 05mm X 05mm, 25mml | 1 |
| | 3 | 1020341 | (00000000- |) Screw, Hex, M8 X 1.25 X 20, Ss, Sems | 5 |
| | 4 | 1208041 | (00000000- |) Housing, Head, 50cm | 1 |
| | 5 | 1016005 | (00000000- |) Screw, Hex, M6 X 1.00 X 25, NI, FI, Ss | 3 |
| | 6 | 01684 | (00000000- |) Washer, Flat, 0.27b 0.69d .05, Ss | 3 |
| | 7 | 1210807 | (00000000- |) Wire, Tie [W/.25" Fir Tree Clip] | 1 |
| | 8 | 9014145 | (00000000- |) Hose, Afmkt, Pe, .375id .50od, 05ft | 1 |
| | 9 | 1227654 | (00000000- |) Hub, Drive, Magnetic [Machined] | 1 |
| | 10 | 1227670 | (00000000- |) Screw, Flt, Soc, M4 X 0.70 X 14,18-8, Ss | 3 |
| | 11 | 33932 | (00000000- |) Nut, Hex, Lock, M4 X 0.70, NI, Ss | 3 |
| | 12 | 1022549 | (00000000- |) Spacer, Shaft, 17.15b 30.0d 3.0l, Ss | 1 |
| | 13 | 1017218 | (00000000- |) Washer, Flat, 0.32b 1.00d .12, Ss | 1 |
| | 14 | 1223980 | (00000000- |) Plate Wldt, Head, Weighted | 1 |
| | 15 | 1205043 | (00000000- |) Ring, Hub, Magnetic | 1 |
| | 16 | 1211256 | (00000000- |) Pin, Stop, Long | 1 |
| | 17 | 1211242 | (00000000- |) Button, Plunger, Pad | 1 |
| | 18 | 1212785 | (00000000- |) Spring, Cmpr, .66od, .05wir, 1.75l, Ss | 1 |
| | 19 | 1055025 | (00000000- |) Bumper, Head, 50cm, W/ Bristle Skirt, Im | 1 |
| | 20 | 1074344 | (00000000- |) Harness, Ele [Ring With .250m Tail] | 1 |
| | 21 | 1222544 | (00000000- |) Bumper, Release, Brush | 1 |

▽ Assembly

▲ Included in Assembly

Fig. 14 – Scrub Head Group, 500MM, 3-Lug Hub

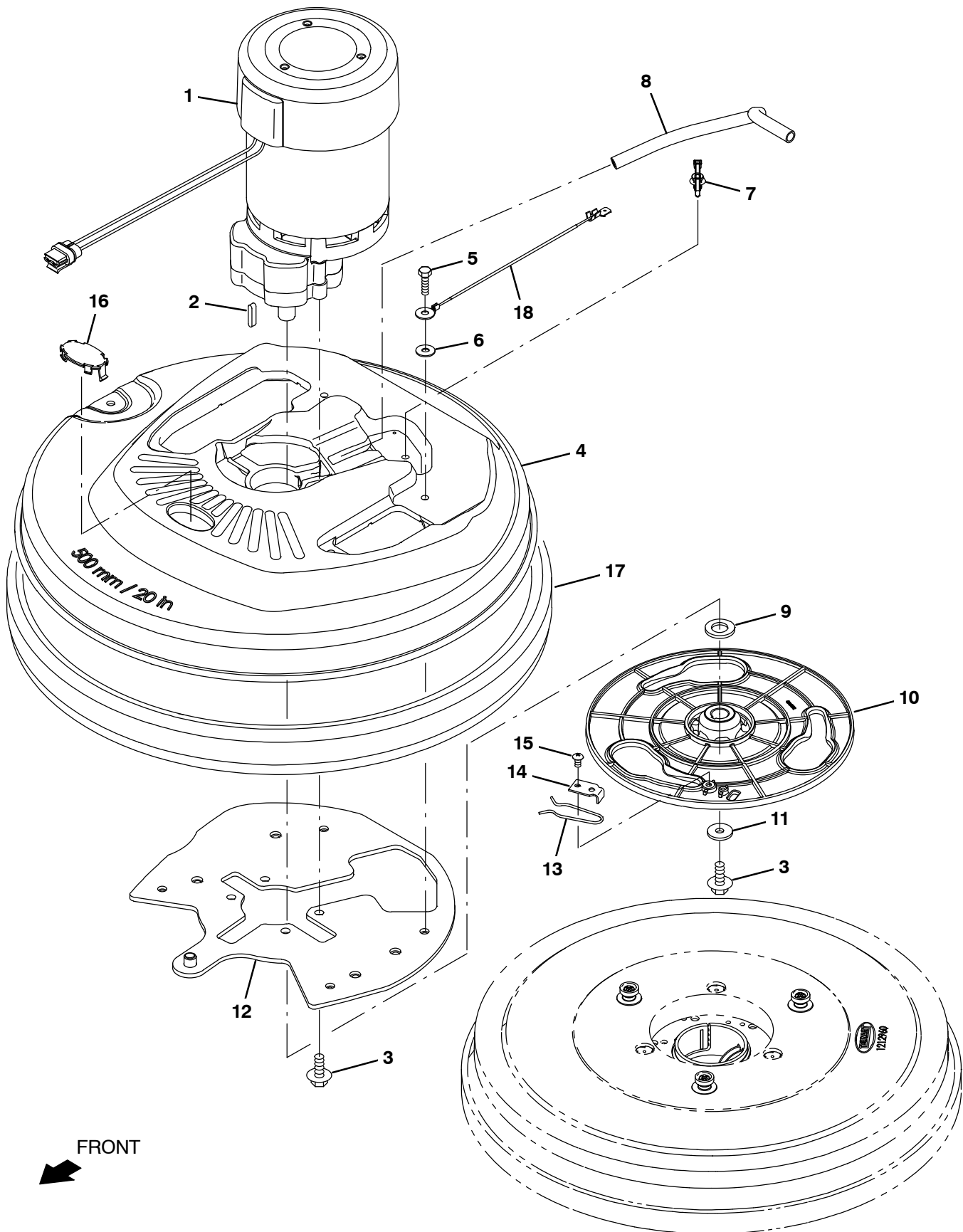


Fig. 14 – Scrub Head Group, 500MM, 3–Lug Hub

| | Ref. | Part No. | Serial Number | Description | Qty. |
|---|------|----------|---------------|--|------|
| ▽ | 1 | 1226976 | (00000000– |) Motor, Ele, 24vdc 0215rpm 650w, 17mm | 1 |
| ▲ | | 1227273 | (00000000– |) Brush Kit, Motor, Ele (4Pc) | 1 |
| ▲ | 2 | 1014328 | (00000000– |) Key, Sq, 05mm X 05mm, 25mml | 1 |
| | 3 | 1020341 | (00000000– |) Screw, Hex, M8 X 1.25 X 20, Ss, Sems | 5 |
| | 4 | 1208041 | (00000000– |) Housing, Head, 50cm | 1 |
| | 5 | 1016005 | (00000000– |) Screw, Hex, M6 X 1.00 X 25, NI, Fl, Ss | 3 |
| | 6 | 01684 | (00000000– |) Washer, Flat, 0.27b 0.69d .05, Ss | 3 |
| | 7 | 1210807 | (00000000– |) Wire, Tie [W/.25" Fir Tree Clip] | 1 |
| | 8 | 9014145 | (00000000– |) Hose, Afmkt, Pe, .375id .50od, 05ft | 1 |
| | 9 | 1022549 | (00000000– |) Spacer, Shaft, 17.15b 30.0d 3.0l, Ss | 1 |
| | 10 | 1219855 | (00000000– |) Hub, Drive, 3lug, Alm–Nyl, 17mm[T2,T300] | 1 |
| | 11 | 1017218 | (00000000– |) Washer, Flat, 0.32b 1.00d .12, Ss | 1 |
| | 12 | 1223980 | (00000000– |) Plate Wldt, Head, Weighted | 1 |
| | 13 | 1013188 | (00000000– |) Clip, Spring, Drive Hub, Release [T3] | 1 |
| | 14 | 1011201 | (00000000– |) Plate, Clamp, Brush | 1 |
| | 15 | 140197 | (00000000– |) Screw, Trs, Phl, 10–24 X 0.38, Sems, Ss | 2 |
| | 16 | 1221972 | (00000000– |) Plug, Hole, Oval, Head, Hsng, Abs [T300] | 1 |
| | 17 | 1055025 | (00000000– |) Bumper, Head, 50cm, W/ Bristle Skirt, Im | 1 |
| | 18 | 1074344 | (00000000– |) Harness, Ele [Ring With .250m Tail] | 1 |

▽ Assembly

▲ Included in Assembly

Fig. 15 – Squeegee Group, 500MM

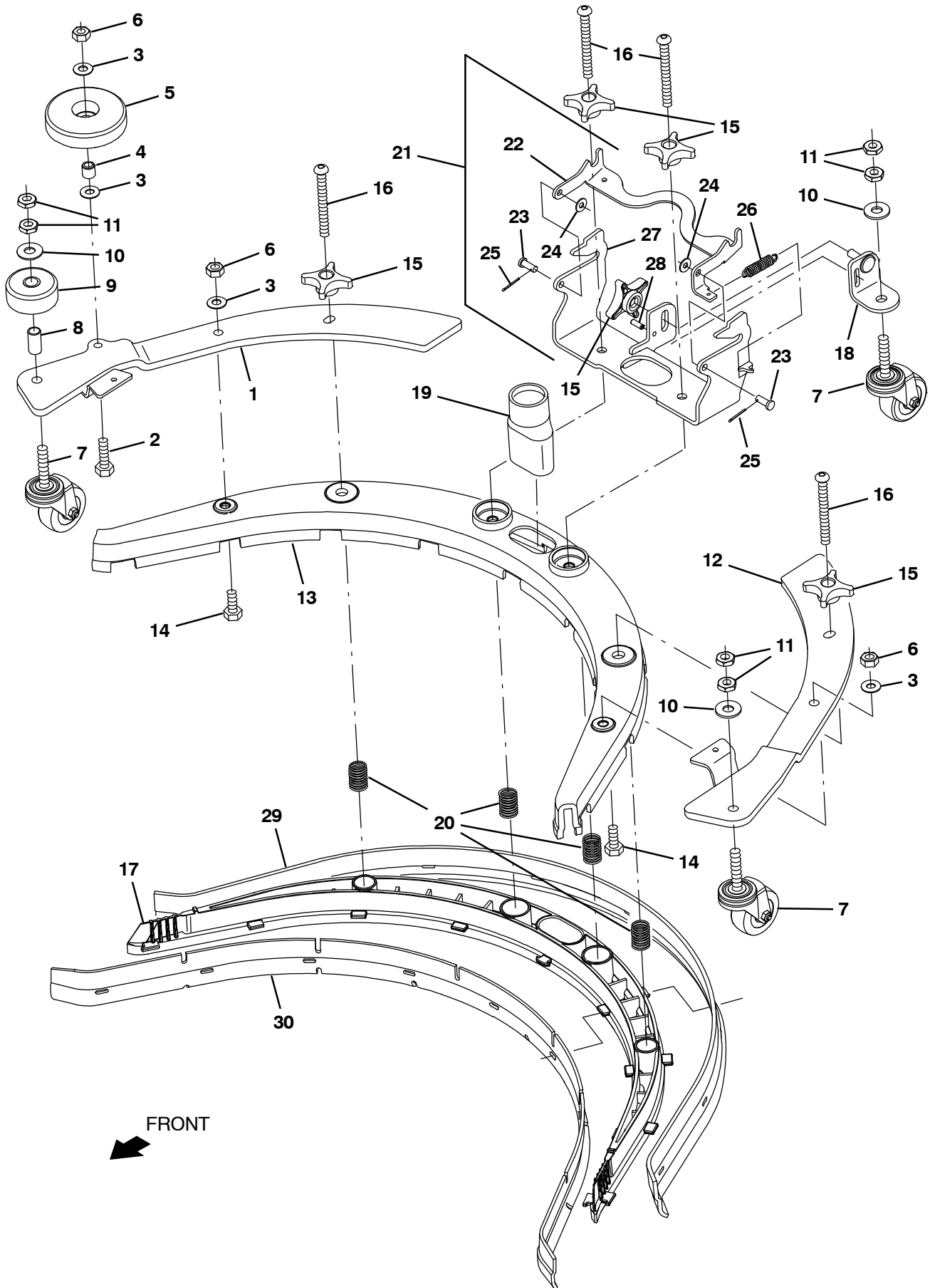


Fig. 15 – Squeegee Group, 500MM

| Ref. | Part No. | Serial Number | Description | Qty. |
|------|------------|---------------|---|------|
| ▽ | 9040169 | (00000000– |) Squeegee Kit, 500mm, Ci [T350/Ss350] | 1 |
| ▲ | 1 1231165 | (00000000– |) Bracket Wldt, Sppt, Sqge, Rh | 1 |
| ▲ | 2 1016399 | (00000000– |) Screw, Hex, M8 X 1.25 X 30, NI, Ss | 1 |
| ▲ | 3 140027 | (00000000– |) Washer, Flat, 0.35b 0.75d .04, Ss | 5 |
| ▲ | 4 222460 | (00000000– |) Sleeve, P/M, 0.32b 0.50d 0.5l [430ss] | 1 |
| ▲ | 5 1010560 | (00000000– |) Wheel, Bmpr, 80d X 25w, Non-Marking | 1 |
| ▲ | 6 07786 | (00000000– |) Nut, Hex, Std, M8 X 1.25, Ss | 3 |
| ▲ | 7 1234625 | (00000000– |) Caster, Swivel, 50mmd, M10 X 48, Clr PI | 3 |
| ▲ | 8 1233732 | (00000000– |) Sleeve, .40b .50d .93l [304ss] | 1 |
| ▲ | 9 222403 | (00000000– |) Wheel, 02.0d 0.88w 0.50b | 1 |
| ▲ | 10 01686 | (00000000– |) Washer, Flat, 0.44b 1.00d .08, Ss | 2 |
| ▲ | 11 32716 | (00000000– |) Nut, Hex, Jam, M10 X 1.5, Ss | 4 |
| ▲ | 12 1231164 | (00000000– |) Bracket Wldt, Sppt, Sqge, Lh | 1 |
| ▲ | 13 1234623 | (00000000– |) Frame, Sqge, 50cm | 1 |
| ▲ | 14 09740 | (00000000– |) Screw, Hex, M8 X 1.25 X 20, Ss | 2 |
| ▲ | 15 1213677 | (00000000– |) Knob, Star, 2.00od 4ear M8x1.25 [Yel] | 5 |
| ▲ | 16 1255358 | (00000000– |) Screw, Btn, M8 X 1.25 X 85, Ss | 4 |
| ▲ | 17 1222892 | (00000000– |) Retainer, Sqge, 50cm | 1 |
| ▲ | 18 1228615 | (00000000– |) Bracket Wldt, Caster, Sqge | 1 |
| ▲ | 19 1229370 | (00000000– |) Coupling, Sqge, 50cm | 1 |
| ▲ | 20 22290 | (00000000– |) Spring, Cmpr, 0.72od .06wir 02.3l | 4 |
| ▲▽ | 21 9016747 | (00000000– |) Bracket Kit, Sqge, 500Mm, Ci | 1 |
| ▲▲ | 22 1232136 | (00000000– |) Bracket, Release, Sqge, 50Cm | 1 |
| ▲▲ | 23 1233730 | (00000000– |) Pin, Clevis, 0.25d, 0.63l | 2 |
| ▲▲ | 24 19066 | (00000000– |) Washer, Flat, 0.25b 0.56d .05, PI, 10 | 2 |
| ▲▲ | 25 08178 | (00000000– |) Pin, Cotter, .062 X 0.75 | 2 |
| ▲▲ | 26 1233820 | (00000000– |) Spring, Extn, 0.375od .052wir 1.75l | 1 |
| ▲▲ | 27 1250468 | (00000000– |) Bracket Wldt, Sqge, 50cm | 1 |
| ▲▲ | 28 140609 | (00000000– |) Pin, Roll, .187d X 0.56l, PI | 1 |
| ▲▽ | 9016742 | (00000000– |) Blade Kit, 500Mm, Linatex | 1 |
| ▲▲ | 29 1223125 | (00000000– |) Blade, Sqge, Rear, 1007l, Linatex[500mm] | 1 |
| ▲▲ | 30 1223124 | (00000000– |) Blade, Sqge, Front, 938l, Linatex[500mm] | 1 |
| ▽ | 9016741 | (00000000– |) Blade Kit, 500Mm, Gum (Option) | 1 |
| ▲ | 29 1227127 | (00000000– |) Blade, Sqge, Rear, 1007l, Gum [500mm] (Option) | 1 |
| ▲ | 30 1227126 | (00000000– |) Blade, Sqge, Front, 938l, Gum [500mm] (Option) | 1 |
| ▽ | 9016743 | (00000000– |) Blade Kit, 500Mm, Urethane (Option) | 1 |
| ▲ | 29 1227125 | (00000000– |) Blade, Sqge, Rear, 1007l, Urethane 500mm (Option) | 1 |
| ▲ | 30 1227124 | (00000000– |) Blade, Sqge, Front, 938l, Urethane 500mm (Option) | 1 |

▽ Assembly

▲ Included In Assembly

Fig. 16 – Squeegee Rail Group, 500 MM

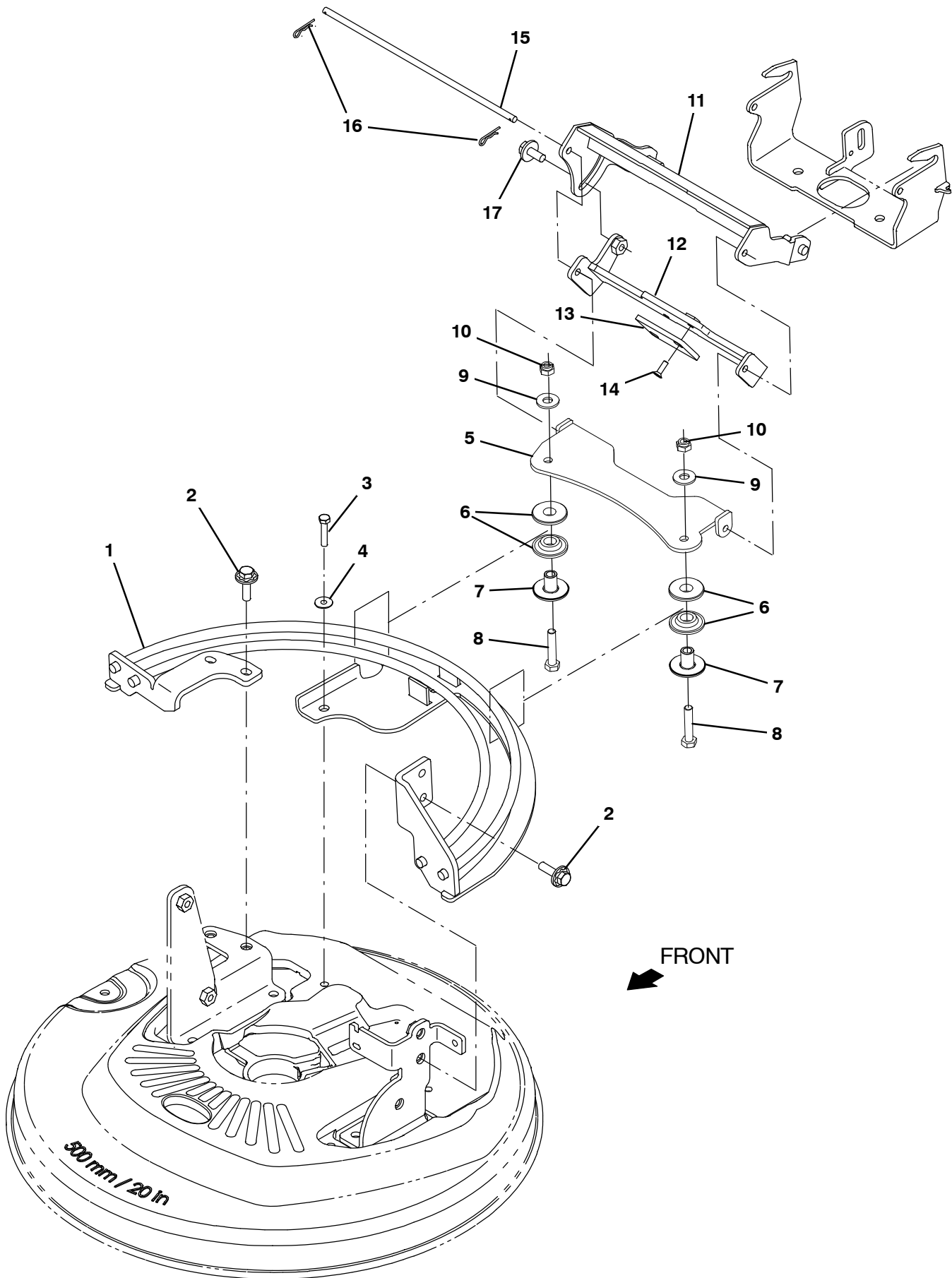


Fig. 16 – Squeegee Rail Group, 500 MM

| | Ref. | Part No. | Serial Number | Description | Qty. |
|---|------|----------|---------------|--|------|
| ▽ | | 9016749 | (00000000- |) Rail Kit, Sqge, 500Mm, Ci [T350/SS350] | |
| ▲ | 1 | 1225954 | (00000000- |) Rail Wldt, Sqge, 50cm | 1 |
| ▲ | 2 | 1072816 | (00000000- |) Screw, Hex, M8 X 1.25 X 30, Ss, Sems | 4 |
| ▲ | 3 | 1016005 | (00000000- |) Screw, Hex, M6 X 1.00 X 25, NI, FI, Ss | 1 |
| ▲ | 4 | 01684 | (00000000- |) Washer, Flat, 0.27b 0.69d .05, Ss | 1 |
| ▽ | | 9040171 | (00000000- |) Support Kit, Sqge, Ci [T350/Ss350] | 1 |
| ▲ | 5 | 1231458 | (00000000- |) Linkage Wldt, Brg, Sqge | 1 |
| ▲ | 6 | 1231946 | (00000000- |) Roller, 12.8mmb 35.0mmd 8.4mml | 4 |
| ▲ | 7 | 1226539 | (00000000- |) Bushing, Flng, 8.3mmb 12.7mmd 17.8mml | 2 |
| ▲ | 8 | 59658 | (00000000- |) Screw, Hex, M8 X 1.25 X 35, NI, Ss | 2 |
| ▲ | 9 | 140027 | (00000000- |) Washer, Flat, 0.35b 0.75d .04, Ss | 2 |
| ▲ | 10 | 07786 | (00000000- |) Nut, Hex, Std, M8 X 1.25, Ss | 2 |
| ▲ | 11 | 1250474 | (00000000- |) Linkage Wldt, Sqge, Adj | 1 |
| ▲ | 12 | 1233352 | (00000000- |) Bracket Wldt, Sqge, Adj | 1 |
| ▲ | 13 | 1229329 | (00000000- |) Pad, Rest, Sqge | 1 |
| ▲ | 14 | 09120 | (00000000- |) Screw, Flt, Soc, M5 X 0.80 X 16, 10.9 | 2 |
| ▲ | 15 | 1234041 | (00000000- |) Pin, 0.25d, 10.45l | 1 |
| ▲ | 16 | 08085 | (00000000- |) Pin, Cotter, Hair, 0.31d .058 Wir | 2 |
| ▲ | 17 | 1020341 | (00000000- |) Screw, Hex, M8 X 1.25 X 20, Ss, Sems | 1 |

▽ Assembly

▲ Included in Assembly

Fig. 17 – Scrub Head Linkage Group, 600 MM Disk

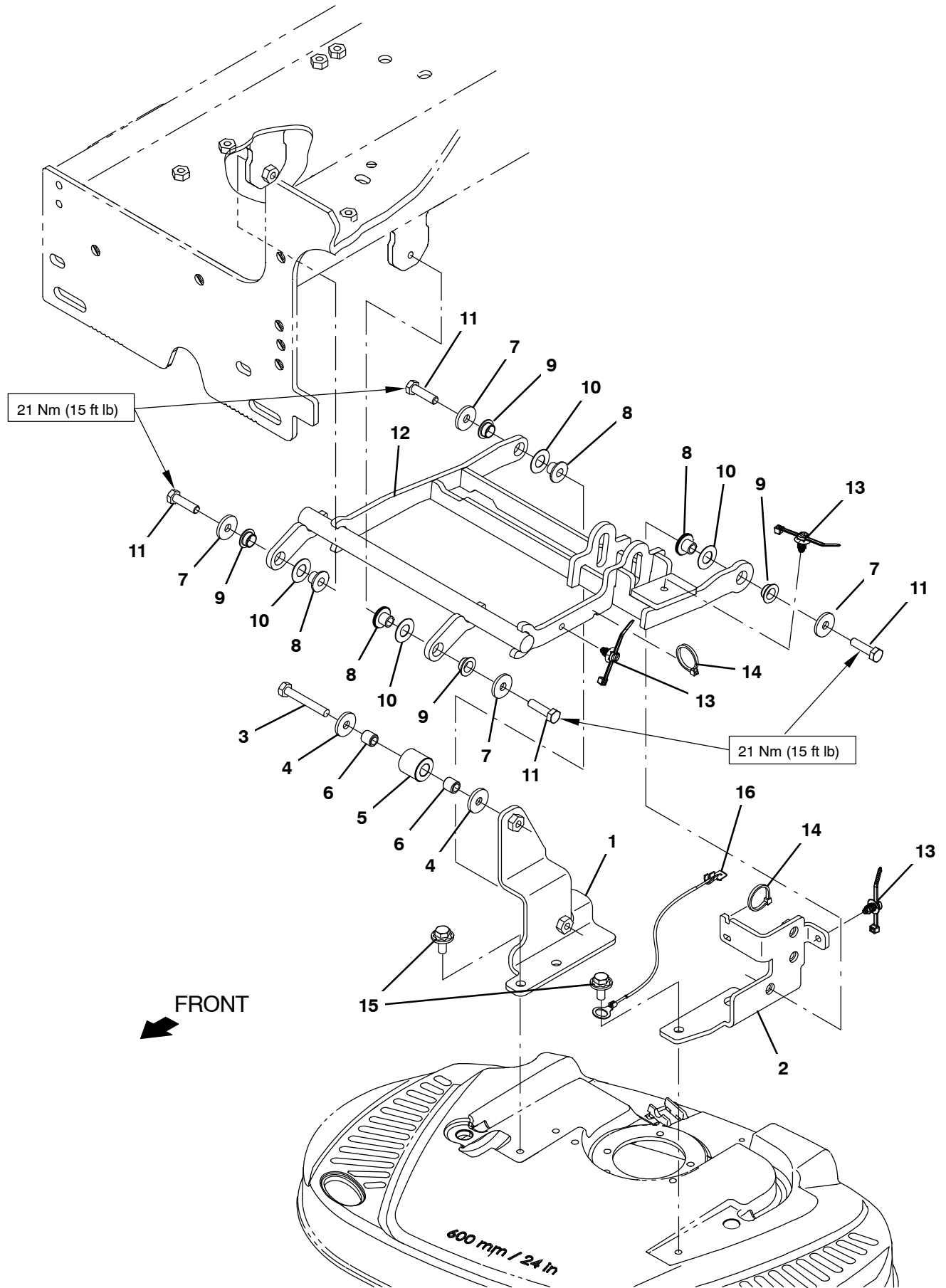


Fig. 17 – Scrub Head Linkage Group, 600 MM Disk

| Ref. | Part No. | Serial Number | Description | Qty. |
|------|----------|---------------|--|------|
| 1 | 1220506 | (00000000- |) Bracket Wldt, Mtg, Head, 60dd, Tall | 1 |
| 2 | 1221084 | (00000000- |) Bracket Wldt, Mtg, Head, 60dd, Short | 1 |
| 3 | 222504 | (00000000- |) Screw, Hex, M8 X 1.25 X 55, Ss | 1 |
| 4 | 1017218 | (00000000- |) Washer, Flat, 0.32b 1.00d .12, Ss | 2 |
| 5 | 1014020 | (00000000- |) Roller, 0.99d 0.50b 0.95l, Acetal | 1 |
| 6 | 222460 | (00000000- |) Sleeve, P/M, 0.32b 0.50d 0.5l [430ss] | 2 |
| 7 | 1017218 | (00000000- |) Washer, Flat, 0.32b 1.00d .12, Ss | 4 |
| 8 | 1225659 | (00000000- |) Bushing, Flng, 8.3b 11.8d 9.7l | 4 |
| 9 | 1225660 | (00000000- |) Bushing, Flng, 12.0b 7.0l 14.0d, Plstc | 4 |
| 10 | 89710 | (00000000- |) Washer, Flat, 0.51b 1.00d .03, Nyl | 4 |
| 11 | 1016399 | (00000000- |) Screw, Hex, M8 X 1.25 X 30, Ni, Ss | 4 |
| 12 | 1224694 | (00000000- |) Lift Wldt, Head, Disk, 60cm | 1 |
| 13 | 1210807 | (00000000- |) Wire, Tie [W/.25" Fir Tree Clip] | 2 |
| 14 | 49263 | (00000000- |) Tie, Cable, Nyl, 11.4l .19w 3.0 Max D | 1 |
| 15 | 1020341 | (00000000- |) Screw, Hex, M8 X 1.25 X 20, Ss, Sems | 3 |
| 16 | 1074344 | (00000000- |) Harness, Ele [Ring With .250m Tail] | 1 |

STANDARD PARTS

Fig. 18 – Scrub Head Group, 600 MM, Magnetic Hub

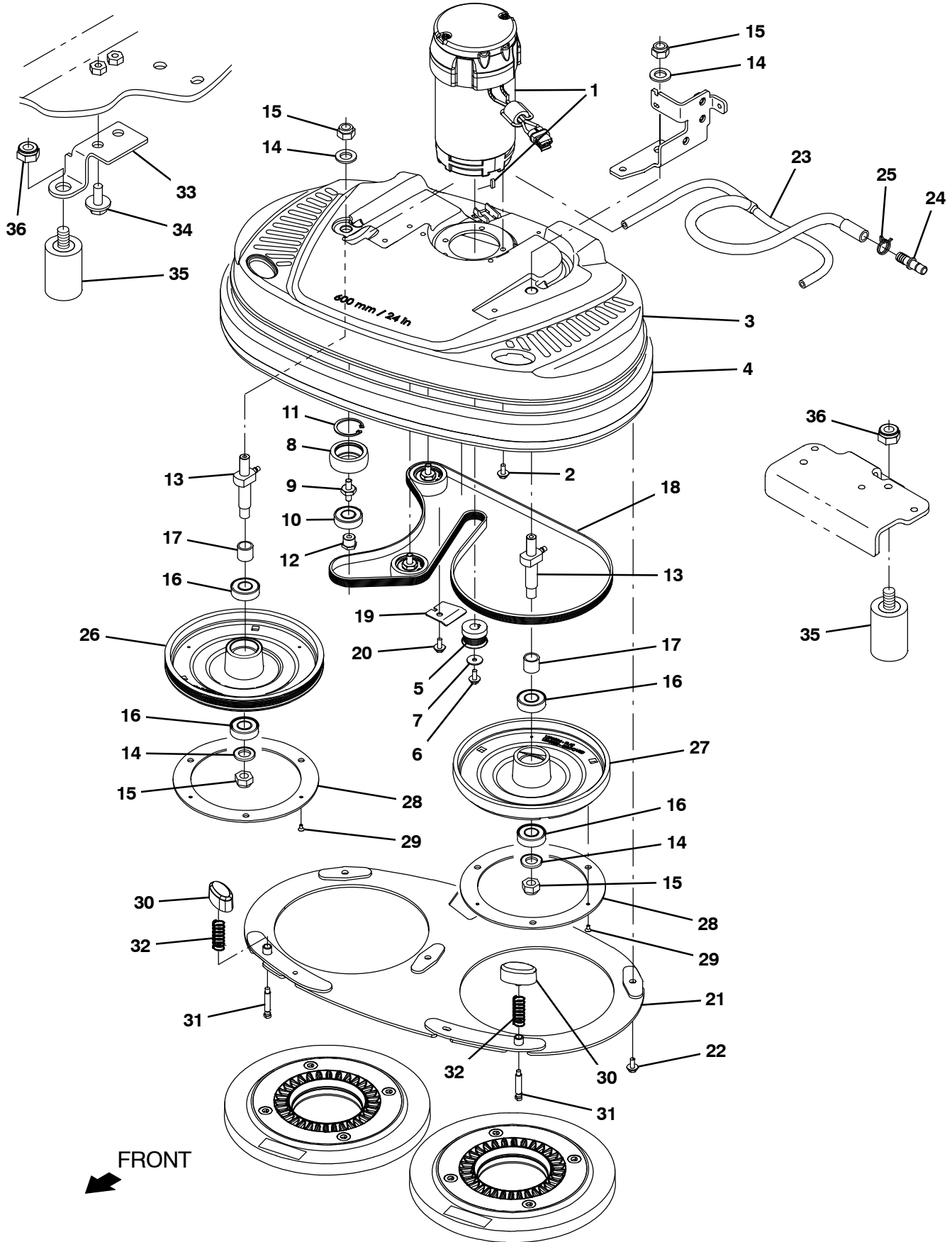


Fig. 18 – Scrub Head Group, 600 MM, Magnetic Hub

| Ref. | Part No. | Serial Number | Description | Qty. |
|------|----------|---------------|---|------|
| ▽ | 1 | 1227280 | (00000000–) Motor, 24vdc, 2000rpm, 7/8hp | 1 |
| ▲ | | 1059370 | (00000000–) Brush, Motor, Replmt [Bag of 4] | 1 |
| | 2 | 1034731 | (00000000–) Screw, Hex, M6 X 1.00 X 16, Sems, Ss | 4 |
| | 3 | 1211027 | (00000000–) Housing, Head, 60cm [Machined] | 1 |
| | 4 | 9011849 | (00000000–) Bumper, Head, 60cm, Bristle Skirt | 1 |
| | 5 | 1213927 | (00000000–) Sheave, 06grv, 1.25pd 0.54b, Ss [Keyed] | 1 |
| | 6 | 1034731 | (00000000–) Screw, Hex, M6 X 1.00 X 16, Sems, Ss | 1 |
| | 7 | 19680127 | (00000000–) Washer, Flat, 6.2mm Id X 22.0mm Od X 1.9 | 1 |
| | 8 | 1058514 | (00000000–) Pulley, Idler, 55d X 21w[60cm Dual Disk] | 3 |
| | 9 | 1211624 | (00000000–) Stud, M8 X 1.25, Dbl End W/Hex, Ss | 3 |
| | 10 | 1211187 | (00000000–) Bearing, Ball, 0.67b 1.57d 0.47w [6203] | 3 |
| | 11 | 1013884 | (00000000–) Ring, Retaining, Int, 40mm, Ss | 3 |
| | 12 | 1011008 | (00000000–) Nut, T, M8 X 1.25, 17.0d X 11.8l, Stl PI | 3 |
| | 13 | 1214206 | (00000000–) Shaft Wldt, Mtg, Pulley | 2 |
| | 14 | 1022549 | (00000000–) Spacer, Shaft, 17.15b 30.0d 3.0l, Ss | 4 |
| | 15 | 41517 | (00000000–) Nut, Hex, Lock, M14 X 2.00, NI | 4 |
| | 16 | 1211187 | (00000000–) Bearing, Ball, 0.67b 1.57d 0.47w [6203] | 4 |
| | 17 | 1011041 | (00000000–) Tube, 0.69id 0.87od 00.8l, Stl, PI | 2 |
| | 18 | 1055305 | (00000000–) Belt, Drive, 6pj, Ej139 [T3] | 1 |
| | 19 | 1217752 | (00000000–) Bracket, Belt Guide | 1 |
| | 20 | 1034731 | (00000000–) Screw, Hex, M6 X 1.00 X 16, Sems, Ss | 1 |
| | 21 | 1216346 | (00000000–) Bracket Wldt, Guard, Splash, 60cm | 1 |
| | 22 | 1034731 | (00000000–) Screw, Hex, M6 X 1.00 X 16, Sems, Ss | 5 |
| | 23 | 1216084 | (00000000–) Manifold, Distribution, Water, 60dd [Vw] | 1 |
| | 24 | 1212807 | (00000000–) Fitting, Plstc, Str, Qm08/Bm08 | 1 |
| | 25 | 607776 | (00000000–) Clamp, Hose, Wir, .73 – .77, Silver | 1 |
| | 26 | 1210503 | (00000000–) Hub, Drive, Magnetic, Grooved, 60cm Dd | 1 |
| | 27 | 1210504 | (00000000–) Hub, Drive, Magnetic, Flat, 60cm Dd | 1 |
| | 28 | 1205043 | (00000000–) Ring, Hub, Magnetic | 2 |
| | 29 | 630114 | (00000000–) Screw, Flt, Phl, M4 X 0.70 X 8, 4.8 | 6 |
| | 30 | 1211242 | (00000000–) Button, Plunger, Pad | 2 |
| | 31 | 1211907 | (00000000–) Pin, Stop, Short | 2 |
| | 32 | 1212785 | (00000000–) Spring, Cmpr, .66od, .05wir, 1.75l, Ss | 2 |
| | 33 | 1223552 | (00000000–) Plate, Brush Release | 1 |
| | 34 | 1020341 | (00000000–) Screw, Hex, M8 X 1.25 X 20, Ss, Sems | 2 |
| | 35 | 1222544 | (00000000–) Bumper, Release, Brush | 2 |
| | 36 | 08714 | (00000000–) Nut, Hex, Lock, M10 X 1.5, NI, Ss | 2 |

▽ Assembly

▲ Included in Assembly

Fig. 19 – Scrub Head Group, 600MM, 3-Lug Hub

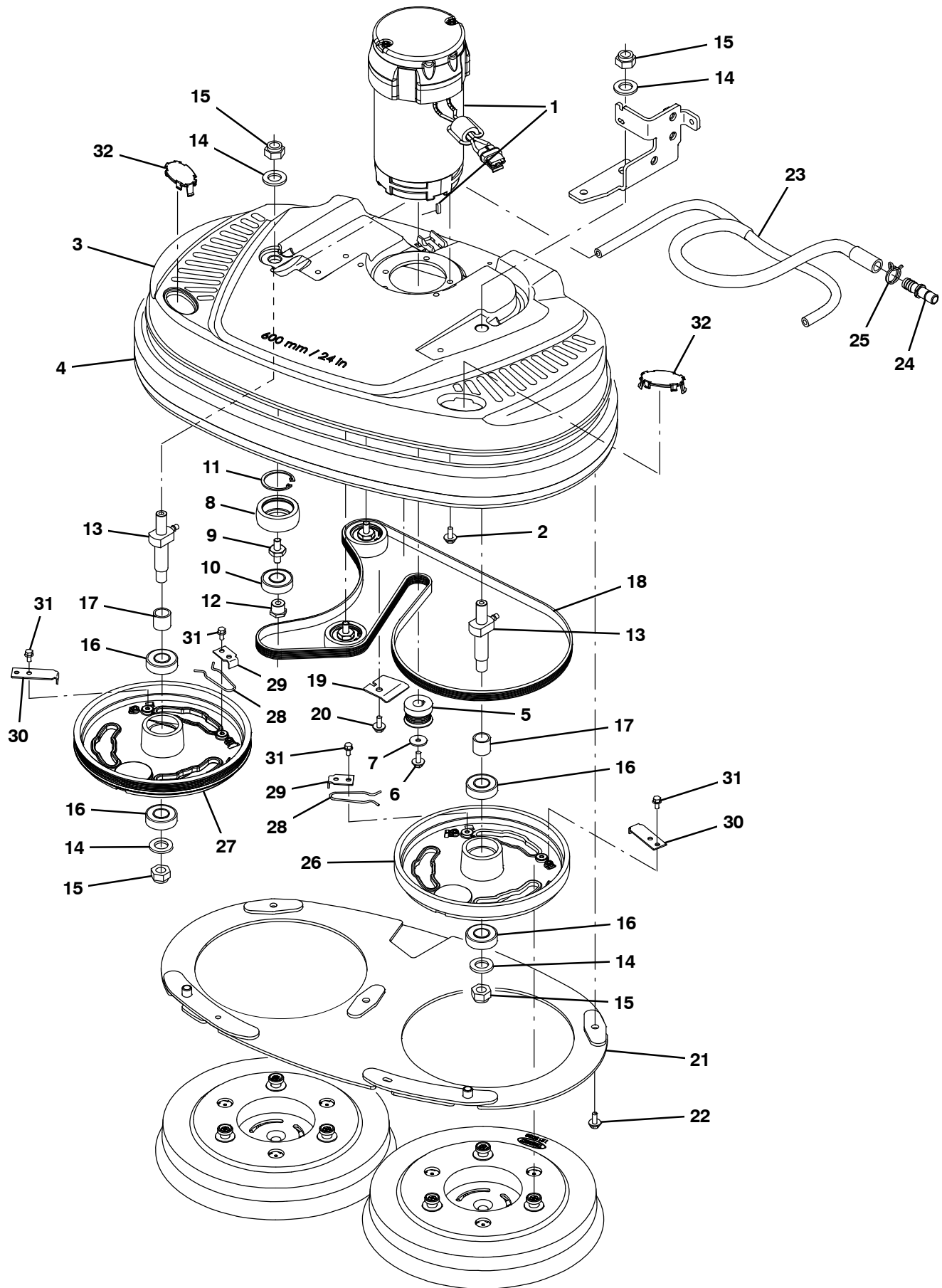


Fig. 19 – Scrub Head Group, 600MM, 3-Lug Hub

| | Ref. | Part No. | Serial Number | Description | Qty. |
|---|------|----------|---------------|--|------|
| ▽ | 1 | 1227280 | (00000000- |) Motor, 24vdc, 2000rpm, 7/8hp | 1 |
| ▲ | | 1059370 | (00000000- |) Brush, Motor, Replmt [Bag of 4] | 1 |
| | 2 | 1034731 | (00000000- |) Screw, Hex, M6 X 1.00 X 16, Sems, Ss | 4 |
| | 3 | 1211027 | (00000000- |) Housing, Head, 60cm [Machined] | 1 |
| | 4 | 9011849 | (00000000- |) Bumper, Head, 60cm, Bristle Skirt | 1 |
| | 5 | 1213927 | (00000000- |) Sheave, 06grv, 1.25pd 0.54b, Ss [Keyed] | 1 |
| | 6 | 1034731 | (00000000- |) Screw, Hex, M6 X 1.00 X 16, Sems, Ss | 1 |
| | 7 | 19680127 | (00000000- |) Washer, Flat, 6.2mm Id X 22.0mm Od X 1.9 | 1 |
| | 8 | 1058514 | (00000000- |) Pulley, Idler, 55d X 21w[60cm Dual Disk] | 3 |
| | 9 | 1211624 | (00000000- |) Stud, M8 X 1.25, Dbl End W/Hex, Ss | 3 |
| | 10 | 1211187 | (00000000- |) Bearing, Ball, 0.67b 1.57d 0.47w [6203] | 3 |
| | 11 | 1013884 | (00000000- |) Ring, Retaining, Int, 40mm, Ss | 3 |
| | 12 | 1011008 | (00000000- |) Nut, T, M8 X 1.25, 17.0d X 11.8l, Stl PI | 3 |
| | 13 | 1214206 | (00000000- |) Shaft Wldt, Mtg, Pulley | 2 |
| | 14 | 1022549 | (00000000- |) Spacer, Shaft, 17.15b 30.0d 3.0l, Ss | 4 |
| | 15 | 41517 | (00000000- |) Nut, Hex, Lock, M14 X 2.00, NI | 4 |
| | 16 | 1211187 | (00000000- |) Bearing, Ball, 0.67b 1.57d 0.47w [6203] | 4 |
| | 17 | 1011041 | (00000000- |) Tube, 0.69id 0.87od 00.8l, Stl, PI | 2 |
| | 18 | 1055305 | (00000000- |) Belt, Drive, 6pj, Ej139 [T3] | 1 |
| | 19 | 1217752 | (00000000- |) Bracket, Belt Guide | 1 |
| | 20 | 1034731 | (00000000- |) Screw, Hex, M6 X 1.00 X 16, Sems, Ss | 1 |
| | 21 | 1216346 | (00000000- |) Bracket Wldt, Guard, Splash, 60cm | 1 |
| | 22 | 1034731 | (00000000- |) Screw, Hex, M6 X 1.00 X 16, Sems, Ss | 5 |
| | 23 | 1216084 | (00000000- |) Manifold, Distribution, Water, 60dd [Vw] | 1 |
| | 24 | 1212807 | (00000000- |) Fitting, Plstc, Str, Qm08/Bm08 | 1 |
| | 25 | 607776 | (00000000- |) Clamp, Hose, Wir, .73 - .77, Silver | 1 |
| | 26 | 1059205 | (00000000- |) Hub, Drive, 3lug, Alm, 2disk, Flt | 1 |
| | 27 | 1059206 | (00000000- |) Hub, Drive, 3lug, Alm, 2disk, 6grv | 1 |
| | 28 | 1013188 | (00000000- |) Clip, Spring, Drive Hub, Release [T3] | 2 |
| | 29 | 1011201 | (00000000- |) Plate, Clamp, Brush | 2 |
| | 30 | 1013592 | (00000000- |) Stop, Driver, Release | 2 |
| | 31 | 223198 | (00000000- |) Screw, Hex, M5 X 0.80 X 10, Fmg | 8 |
| | 32 | 1221972 | (00000000- |) Plug, Hole, Oval, Head, Hsng, Abs [T300] | 2 |

▽ Assembly

▲ Included in Assembly

Fig. 20 – Squeegee Group, 600MM

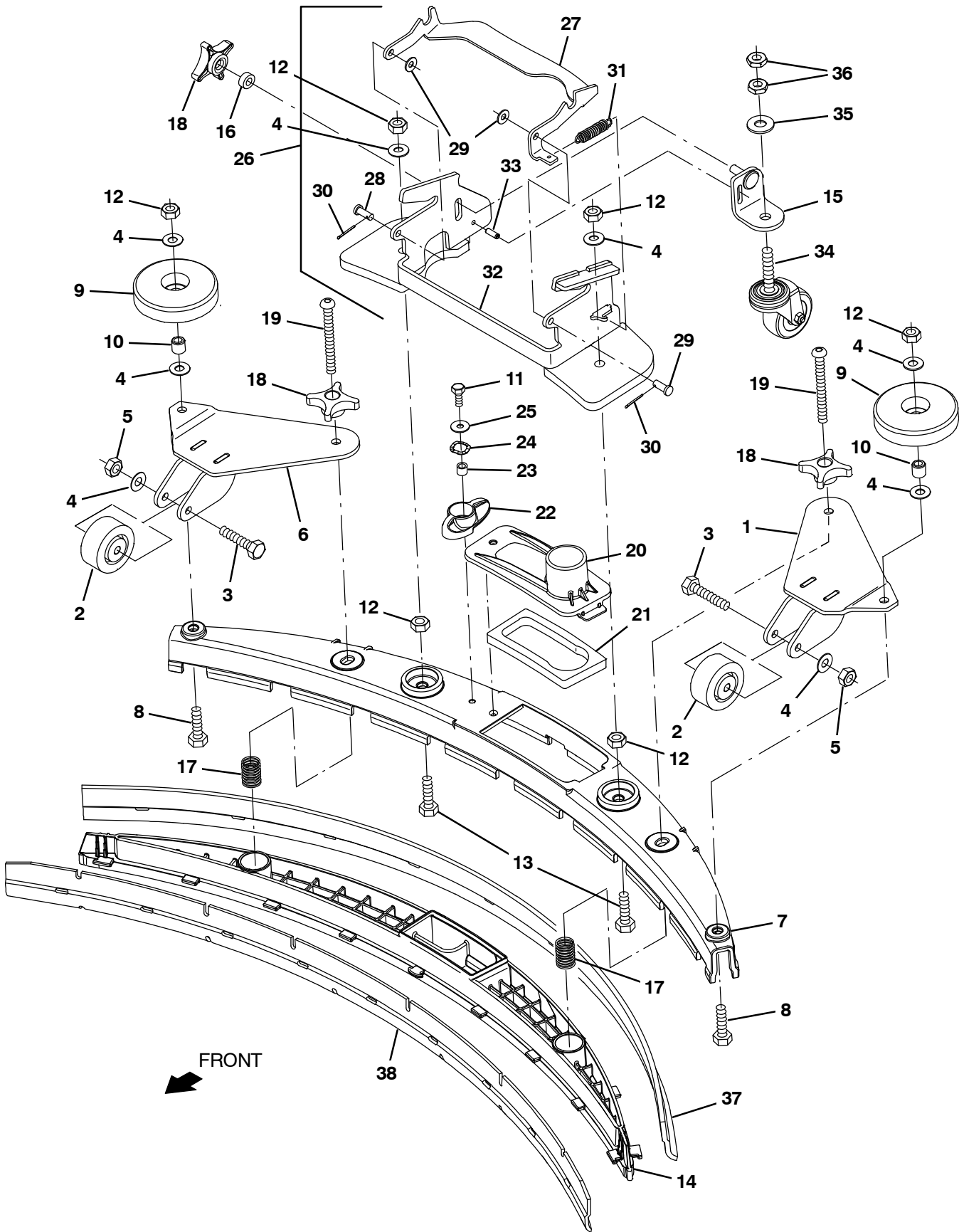


Fig. 20 – Squeegee Group, 600MM

| Ref. | Part No. | Serial Number | Description | Qty. | |
|------|----------|---------------|--|--|---|
| ▽ | 9040170 | (00000000– |) Squeegee Kit, 600mm, Ci [T350/Ss350] | 1 | |
| ▲ | 1 | 1222222 | (00000000– |) Bracket Wldt, Caster, Lh | 1 |
| ▲ | 2 | 1231753 | (00000000– |) Wheel, Urethane, 0.323b 2.0d 1.0w | 2 |
| ▲ | 3 | 222505 | (00000000– |) Screw, Hex, M8 X 1.25 X 45, Ss | 2 |
| ▲ | 4 | 140027 | (00000000– |) Washer, Flat, 0.35b 0.75d .04, Ss | 8 |
| ▲ | 5 | 08713 | (00000000– |) Nut, Hex, Lock, M8 X 1.25, Ni, Ss | 2 |
| ▲ | 6 | 1222223 | (00000000– |) Bracket Wldt, Caster, Rh | 2 |
| ▲ | 7 | 1221961 | (00000000– |) Frame, Sqge, 60cm [Machined] | 1 |
| ▲ | 8 | 1016399 | (00000000– |) Screw, Hex, M8 X 1.25 X 30, Ni, Ss | 2 |
| ▲ | 9 | 1010560 | (00000000– |) Wheel, Bmpr, 80d X 25w, Non-Marking | 2 |
| ▲ | 10 | 222460 | (00000000– |) Sleeve, P/M, 0.32b 0.50d 0.5l [430ss] | 2 |
| ▲ | 11 | 11329 | (00000000– |) Screw, Hex, M6 X 1.00 X 16, Ni, Ss | 1 |
| ▲ | 12 | 07786 | (00000000– |) Nut, Hex, Std, M8 X 1.25, Ss | 6 |
| ▲ | 13 | 09023 | (00000000– |) Screw, Hex, M8 X 1.25 X 35, Fl, Ss | 2 |
| ▲ | 14 | 1203638 | (00000000– |) Retainer, Sqge [T300] | 1 |
| ▲ | 15 | 1234256 | (00000000– |) Bracket Wldt, Caster, Sqge, 60Cm | 1 |
| ▲ | 16 | 1234391 | (00000000– |) Spacer, 0.33B, 0.75D. 0.33L, Alm | 1 |
| ▲ | 17 | 22290 | (00000000– |) Spring, Cmpr, 0.72od .06wir 02.3l | 2 |
| ▲ | 18 | 1213677 | (00000000– |) Knob, Star, 2.00od 4ear M8x1.25 [Yel] | 3 |
| ▲ | 19 | 1255358 | (00000000– |) Screw, Btn, M8 X 1.25 X 85, Ss | 2 |
| ▲ | 20 | 1209631 | (00000000– |) Cover, Trap, Water, Sqge | 1 |
| ▲ | 21 | 1210756 | (00000000– |) Gasket, Trap, Water, Sqge | 1 |
| ▲ | 22 | 1222109 | (00000000– |) Knob, Sqge, 58l, M6 X 1.00, Plstc | 1 |
| ▲ | 23 | 140154 | (00000000– |) Sleeve, P/M, 0.25b 0.38d 0.3l, Pl | 1 |
| ▲ | 24 | 140060 | (00000000– |) Washer, .505 X .750 X 0.45 Wave | 1 |
| ▲ | 25 | 01684 | (00000000– |) Washer, Flat, 0.27b 0.69d .05, Ss | 1 |
| ▲▽ | 26 | 9016748 | (00000000– |) Bracket Kit, Sqge, 600Mm, Ci | 1 |
| ▲▲ | 27 | 1232151 | (00000000– |) Bracket, Release, Sqge, 60cm | 1 |
| ▲▲ | 28 | 1233730 | (00000000– |) Pin, Clevis, 0.25d, 0.63l | 2 |
| ▲▲ | 29 | 19066 | (00000000– |) Washer, Flat, 0.25b 0.56d .05, Pl, 10 | 2 |
| ▲▲ | 30 | 08178 | (00000000– |) Pin, Cotter, .062 X 0.75 | 2 |
| ▲▲ | 31 | 1233820 | (00000000– |) Spring, Extn, 0.375od .052wir 1.75l | 1 |
| ▲▲ | 32 | 1231790 | (00000000– |) Bracket Wldt, Sqge, 60cm | 1 |
| ▲▲ | 33 | 140609 | (00000000– |) Pin, Roll, .187d X 0.56l, Pl | 1 |
| ▲ | 34 | 1234625 | (00000000– |) Caster, Swivel, 50mmd, M10 X 48, Clr Pl | 1 |
| ▲ | 35 | 01686 | (00000000– |) Washer, Flat, 0.44b 1.00d .08, Ss | 1 |
| ▲ | 36 | 32716 | (00000000– |) Nut, Hex, Jam, M10 X 1.5, Ss | 2 |
| ▲▽ | 9016745 | (00000000– |) Blade Kit, 600Mm, Linatex | 1 | |
| ▲▲ | 37 | 1222961 | (00000000– |) Blade, Sqge, Rear, 861l, Linatex[600mm] | 1 |
| ▲▲ | 38 | 1222960 | (00000000– |) Blade, Sqge, Front, 813l, Linatex[600mm] | 1 |

CONTINUED

▽ Assembly

▲ Included In Assembly

Fig. 20 – Squeegee Group, 600MM (Continued)

| | Ref. | Part No. | Serial Number | Description | Qty. |
|---|-------------|-----------------|----------------------|---|-------------|
| ▽ | | 9016744 | (00000000– |) Blade Kit, 600Mm, Gum (Option) | 1 |
| ▲ | 37 | 1227131 | (00000000– |) Blade, Sqge, Rear, 861L, Gum 600mm (Option) | 1 |
| ▲ | 38 | 1227130 | (00000000– |) Blade, Sqge, Front, 813l, Gum 600mm (Option) | 1 |
| ▽ | | 9016746 | (00000000– |) Blade Kit, 600Mm, Urethane (Option) | 1 |
| ▲ | 37 | 1227129 | (00000000– |) Blade, Sqge, Rear, 861L, Urethane 600mm (Option) | 1 |
| ▲ | 38 | 1227128 | (00000000– |) Blade, Sqge, Front, 813l, Urethane 600mm (Option) | 1 |

▽ Assembly

▲ Included In Assembly



Fig. 21 – Squeegee Rail Group, 600 MM Disk

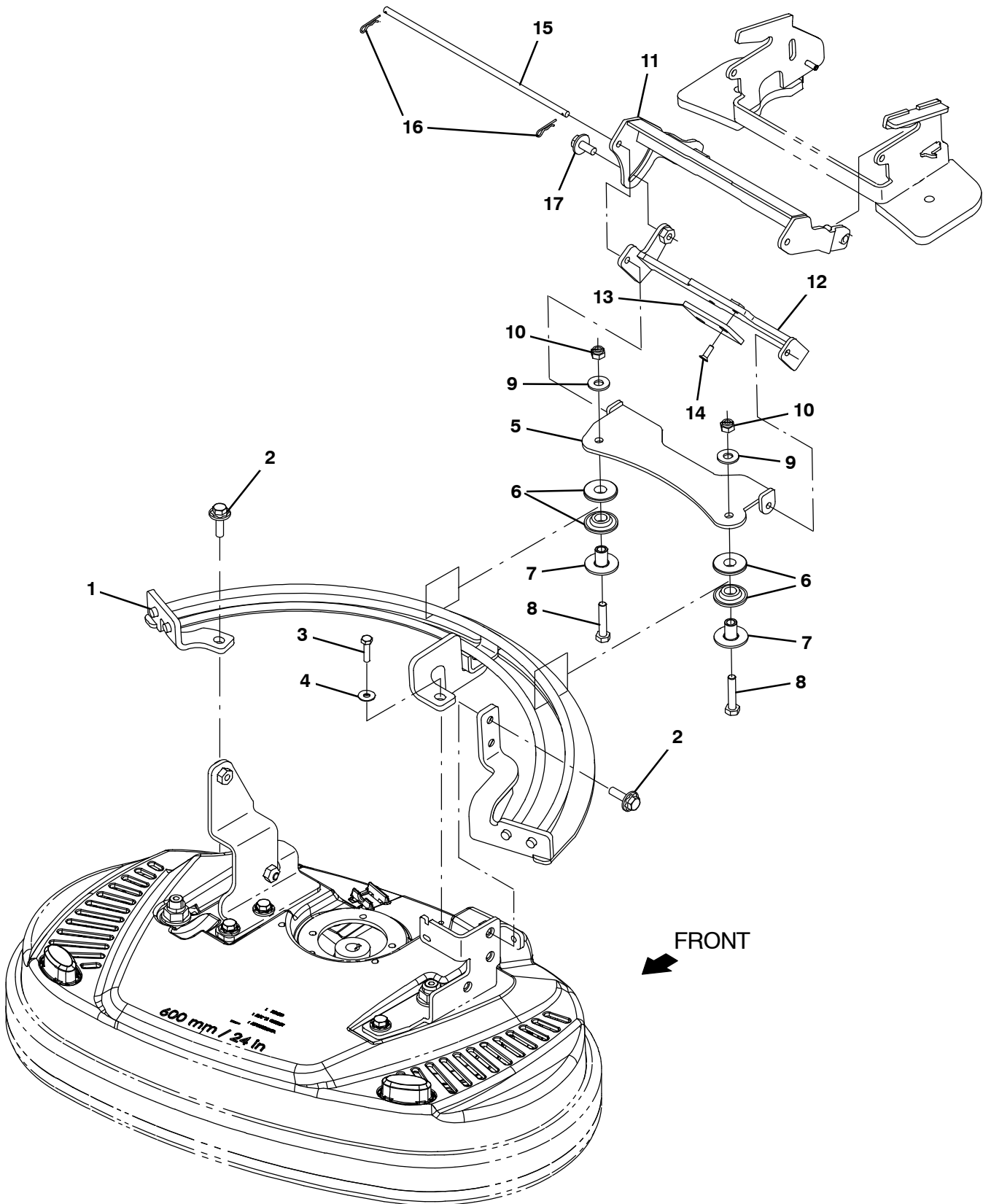


Fig. 21 – Squeegee Rail Group, 600 MM Disk

| | Ref. | Part No. | Serial Number | Description | Qty. |
|---|------|----------|---------------|--|------|
| ▽ | | 9016750 | (00000000– |) Rail Kit, Sqge, 600Mm, Ci [T350/Ss350] | 1 |
| ▲ | 1 | 1227644 | (00000000– |) Rail Wldt, Sqge, 60cm | 1 |
| ▲ | 2 | 1072816 | (00000000– |) Screw, Hex, M8 X 1.25 X 30, Ss, Sems | 3 |
| ▲ | 3 | 1016005 | (00000000– |) Screw, Hex, M6 X 1.00 X 25, NI, FI, Ss | 1 |
| ▲ | 4 | 01684 | (00000000– |) Washer, Flat, 0.27b 0.69d .05, Ss | 1 |
| ▽ | | 9040171 | (00000000– |) Support Kit, Sqge, Ci [T350/Ss350] | 1 |
| ▲ | 5 | 1231458 | (00000000– |) Linkage Wldt, Brg, Sqge | 1 |
| ▲ | 6 | 1231946 | (00000000– |) Roller, 12.8mmb 35.0mmd 8.4mml | 4 |
| ▲ | 7 | 1226539 | (00000000– |) Bushing, FIng, 8.3mmb 12.7mmd 17.8mml | 2 |
| ▲ | 8 | 59658 | (00000000– |) Screw, Hex, M8 X 1.25 X 35, NI, Ss | 2 |
| ▲ | 9 | 140027 | (00000000– |) Washer, Flat, 0.35b 0.75d .04, Ss | 2 |
| ▲ | 10 | 07786 | (00000000– |) Nut, Hex, Std, M8 X 1.25, Ss | 2 |
| ▲ | 11 | 1250474 | (00000000– |) Linkage Wldt, Sqge, Adj | 1 |
| ▲ | 12 | 1233352 | (00000000– |) Bracket Wldt, Sqge, Adj | 1 |
| ▲ | 13 | 1229329 | (00000000– |) Pad, Rest, Sqge | 1 |
| ▲ | 14 | 09120 | (00000000– |) Screw, Flt, Soc, M5 X 0.80 X 16, 10.9 | 2 |
| ▲ | 15 | 1234041 | (00000000– |) Pin, 0.25d, 10.45l | 1 |
| ▲ | 16 | 08085 | (00000000– |) Pin, Cotter, Hair, 0.31d .058 Wir | 2 |
| ▲ | 17 | 1020341 | (00000000– |) Screw, Hex, M8 X 1.25 X 20, Ss, Sems | 1 |

▽ Assembly

▲ Included in Assembly

Fig. 22 - Recovery Tank Group

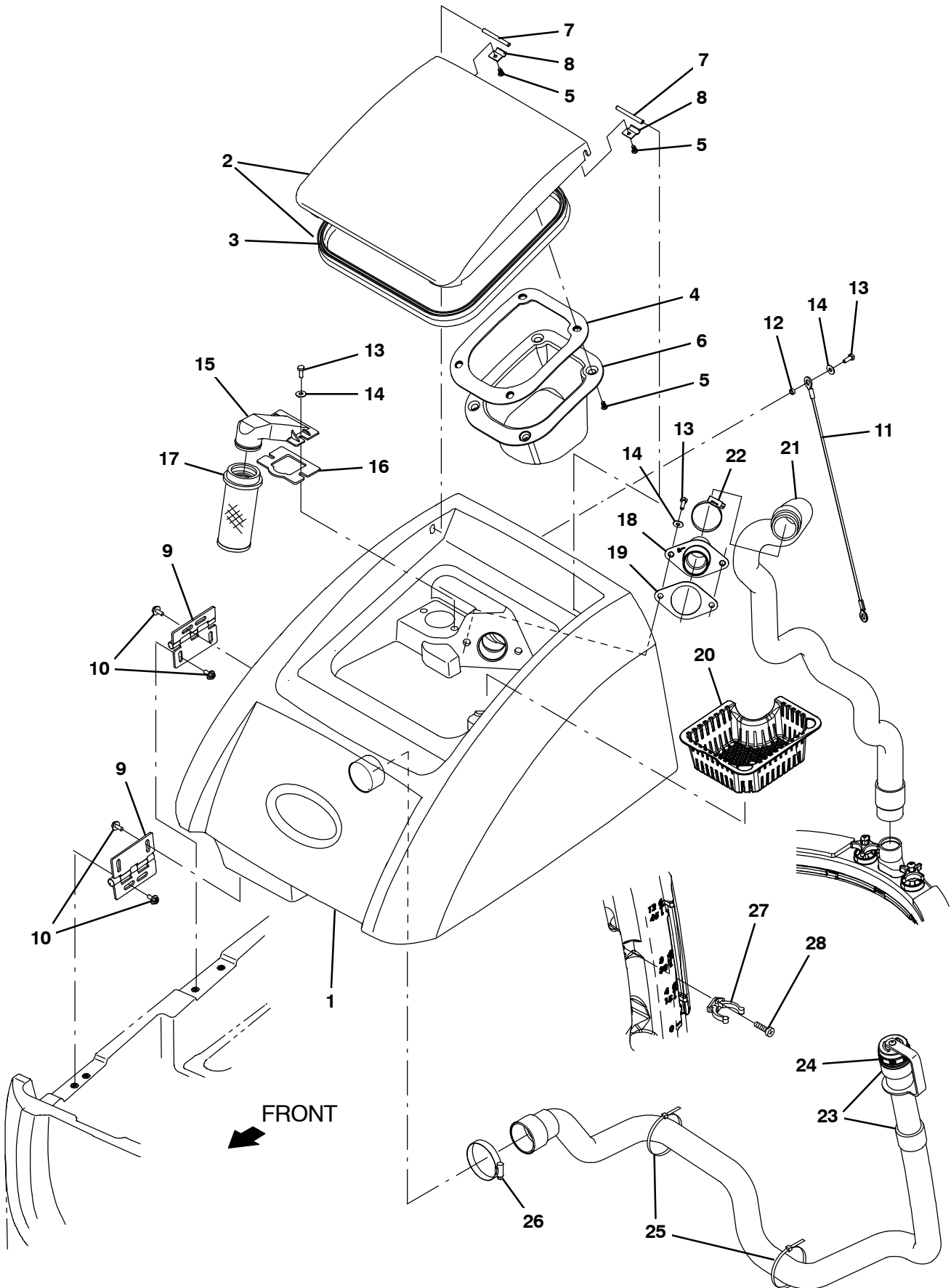


Fig. 22 – Recovery Tank Group

| Ref. | Part No. | Serial Number | Description | Qty. |
|------|----------|---------------|--|------|
| | 1 | 9016753 | (00000000–) Kit, Tank, Recvy, Ci [T350] | 1 |
| ▽ | 2 | 9016756 | (00000000–) Kit, Cover, Recvy, Ci[T350/SS350] | 1 |
| ▲ | 3 | 9016825 | (00000000–) Seal, Afmkt, Bulb, 0.60D 0.19 Grip 08Ft | 1 |
| | 4 | 1226891 | (00000000–) Gasket, Defl, Debris, Neo, .19t | 1 |
| | 5 | 1018155 | (00000000–) Screw, Pan, Phl, M5 X 0.80 X 16, Tcut,Ss | 6 |
| | 6 | 1226842 | (00000000–) Deflector, Debris, Inner | 1 |
| | 7 | 1225244 | (00000000–) Pin, 0.25d 02.5l, 2cham, Ss | 2 |
| | 8 | 1225239 | (00000000–) Clamp, Pin, Rnd .25d | 2 |
| | 9 | 1224342 | (00000000–) Hinge Assy, 7.0 Pin, 11 Ga, 100l X 78w | 2 |
| | 10 | 1034731 | (00000000–) Screw, Hex, M6 X 1.00 X 16, Sems, Ss | 8 |
| | 11 | 391368 | (00000000–) Cable, Glv .09d 016.5l .38eye /.38eye | 1 |
| | 12 | 80491 | (00000000–) Sleeve, P/M, 0.25b 0.38d 0.2l [430ss] | 2 |
| | 13 | 11329 | (00000000–) Screw, Hex, M6 X 1.00 X 16, NI, Ss | 6 |
| | 14 | 01684 | (00000000–) Washer, Flat, 0.27b 0.69d .05, Ss | 6 |
| | 15 | 1011777 | (00000000–) Mount, Float, Mold | 1 |
| | 16 | 1013628 | (00000000–) Gasket, Mtg, Float, .125th, Neo, Adh | 1 |
| | 17 | 630052 | (00000000–) Float Shut-Off (2)Ball 1.75d | 1 |
| | 18 | 1219618 | (00000000–) Tube, Hose, Adapter, 1.5d [T500] | 1 |
| | 19 | 1037106 | (00000000–) Gasket, Adapter, Hose .13, Neo | 1 |
| | 20 | 1207357 | (00000000–) Tray, Debris, Tank, Recvy [T300] | 1 |
| ▽ | | 9040173 | (00000000–) Hose Kit, Recvy, Pvc, Ci | 1 |
| ▲ | 21 | 1226410 | (00000000–) Hose Assy, W/2cuff, 1.5d 42.5l, Pvc | 1 |
| ▲ | 22 | 11531 | (00000000–) Clamp, Hose, Wormdrive, 1.06–2.00d, .56w | 1 |
| ▽ | | 9040174 | (00000000–) Hose Kit, Recvy, Pyu, Ci | 1 |
| ▲ | 21 | 1224431 | (00000000–) Hose Assy, W/2cuff, 1.5d 34.5 1.5/1.5[Pu] | 1 |
| ▲ | 22 | 11531 | (00000000–) Clamp, Hose, Wormdrive, 1.06–2.00d, .56w | 1 |
| ▽ | | 9040175 | (00000000–) Hose Kit, Drain, Pvc, Ci | 1 |
| ▲▽ | 23 | 1226488 | (00000000–) Hose Assy, Drain, 1.5d X 40.0l [Pvc] [Black] (62.2L Stretched/ 40L Relaxed) | 1 |
| ▲▲ | 24 | 1218955 | (00000000–) Cap, Drain Assy [Black] | 2 |
| ▲ | 25 | 49263 | (00000000–) Tie, Cable, Nyl, 11.4l .19w 3.0 Max D | 2 |
| ▲ | 26 | 14432 | (00000000–) Clamp, Hose, Wormdrive, 1.81–2.75d, .50w | 1 |
| ▽ | | 9040176 | (00000000–) Hose Kit, Drain, Pyu, Ci | 1 |
| ▲▽ | 23 | 1226633 | (00000000–) Hose Assy, Drain, 1.5d X 40.0l [Pu] [Gray] (62.2L Stretched/ 40L Relaxed) | 1 |
| ▲▲ | 24 | 1219134 | (00000000–) Cap, Drain Assy [Gray] | 2 |
| ▲ | 25 | 49263 | (00000000–) Tie, Cable, Nyl, 11.4l .19w 3.0 Max D | 2 |
| ▲ | 26 | 14432 | (00000000–) Clamp, Hose, Wormdrive, 1.81–2.75d, .50w | 1 |
| | 27 | 1001992 | (00000000–) Clip, Grip, Hose, 1.63–1.87, Blk Nyl | 1 |
| | 28 | 607006 | (00000000–) Screw, Trs, M4 X 0.70 X 12, Phl, Pl | 2 |

▽ Assembly

▲ Included in Assembly

Fig. 23 – Vacuum Fan Group

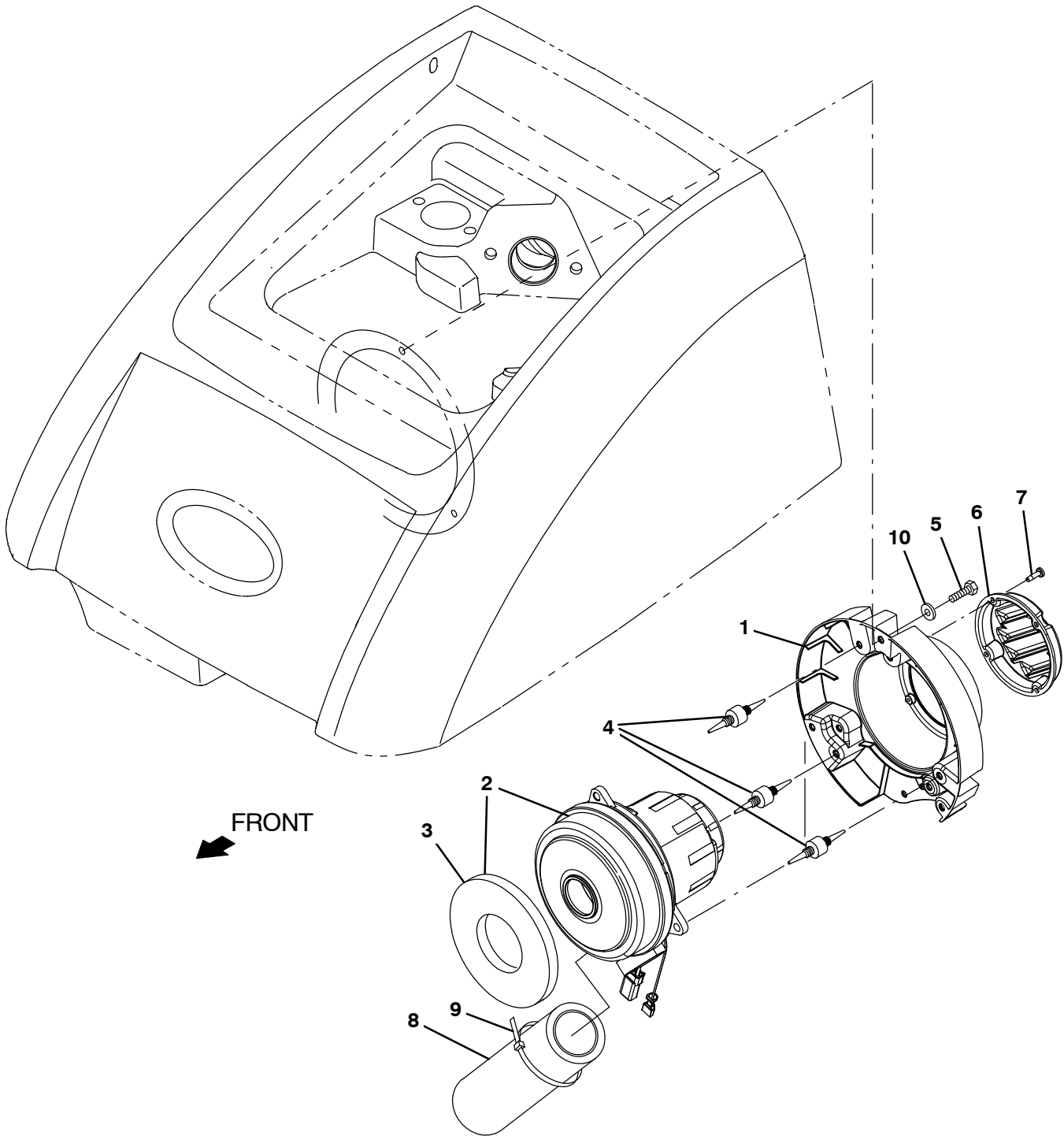


Fig. 23 – Vacuum Fan Group

| Ref. | Part No. | Serial Number | Description | Qty. |
|------|----------|---------------|---|------|
| | 1 | 1207368 | (00000000–) Mount, Vacfan, 5.7/6.6 | 1 |
| ▽ | 2 | 9016755 | (00000000–) Fan Kit, Vacuum, Ci [T350/SS350] | 1 |
| ▲ | 3 | 100038 | (00000000–) Gasket, .50, 02.63id 05.75od, Adh [Epdm] | 1 |
| ▲ | | 1206774 | (00000000–) Brush Kit, Motor, Fan | 1 |
| | 4 | 1062016 | (00000000–) Isolator, Vib, .75d | 3 |
| | 5 | 11329 | (00000000–) Screw, Hex, M6 X 1.00 X 16, NI, Ss | 3 |
| | 6 | 1209342 | (00000000–) Cover, Inlet, Vac, Vented | 1 |
| | 7 | 1043573 | (00000000–) Screw, #10–14 X 0.675, Spl[Shcs,Selftap] | 4 |
| ▽ | | 9040172 | (00000000–) Muffler Kit, Fan, Vacuum, Ci (Option) | 1 |
| ▲ | 8 | 1068577 | (00000000–) Muffler, Exhaust, Vacfan, 150mml [T2/T3] | 1 |
| ▲ | 9 | 130773 | (00000000–) Tie, Cable, Nyl, 11.0l, .14w, 3.0 Max. D | 2 |
| | 10 | 01684 | (00000000–) Washer, Flat, 0.27B 0.69D .05, Ss | 3 |

▽ Assembly

▲ Included In Assembly

Fig. 24 – Solution Tank Group

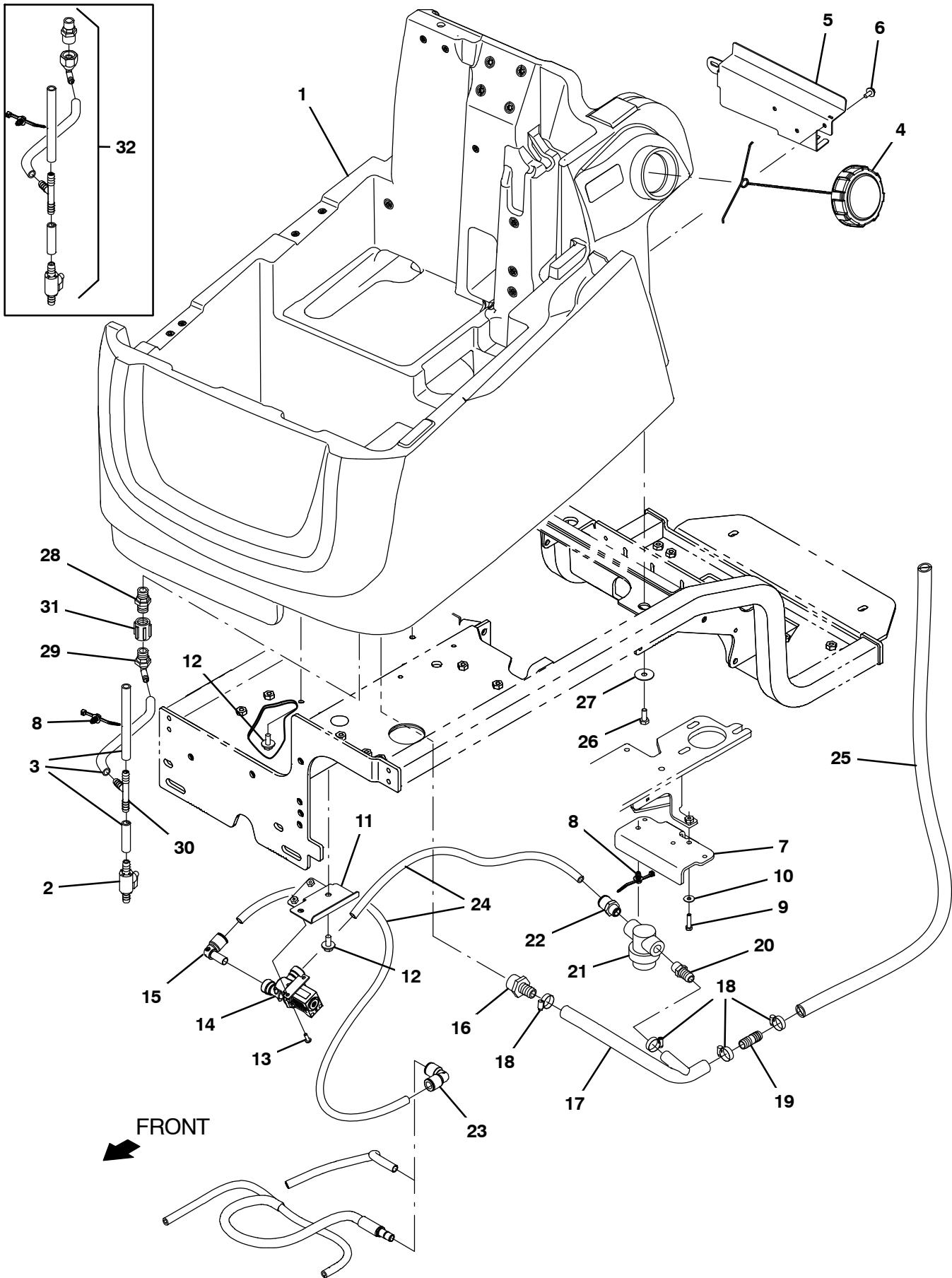


Fig. 24 – Solution Tank Group

| Ref. | Part No. | Serial Number | Description | Qty. |
|------|----------|--------------------|--|------|
| 1 | 9017672 | (00000000– |) Kit, Tank, Soltn, W/O ECH20, CI [SS350] | 1 |
| 1 | 9016752 | (00000000– |) Kit, Tank, Soltn, W/ECH20 [SS350] | 1 |
| 2 | 1233940 | (00000000– |) Valve, Ball, Bm06/Bm06, Pvc, W/Handle | 1 |
| 3 | 1014939 | (00000000– |) Hose, Afmkt, Pvc, Clr, 0.38id, 02ft | 1 |
| 4 | 1011885 | (00000000– |) Cap, Tank | 1 |
| 5 | 1224641 | (00000000– |) Plate, Sppt, Hose | 1 |
| 6 | 1034731 | (00000000– |) Screw, Hex, M6 X 1.00 X 16, Sems, Ss | 2 |
| 7 | 1226094 | (00000000– |) Bracket, Mtg, Filter | 1 |
| 8 | 1210807 | (00000000– |) Wire, Tie [W/.25" Fir Tree Clip] | 5 |
| 9 | 1016005 | (00000000– |) Screw, Hex, M6 X 1.00 X 25, NI, FI, Ss | 2 |
| 10 | 01684 | (00000000– |) Washer, Flat, 0.27b 0.69d .05, Ss | 2 |
| 11 | 1231628 | (00000000– |) Plate Wldt, Solenoid | 1 |
| 12 | 1020341 | (00000000– |) Screw, Hex, M8 X 1.25 X 20, Ss, Sems | 6 |
| 13 | 1205799 | (00000000– |) Screw, Btn, M5 X 0.8 X 16, 8.8, NI, Torx | 2 |
| 14 | 1211424 | (00000000– |) Valve, Water, Solenoid, 24vdc Qf08/Qf08 | 1 |
| 15 | 1212809 | (00000000– |) Fitting, Plstc, E90, Qf08/Qm08 | 1 |
| 16 | 71628 | (00000000– |) Fitting, Plstc, Str, Bm10/Pm12 [Nylon] | 1 |
| 17 | 1228621 | (00000000– |) Tube, Split, Solution Delivery | 1 |
| 18 | 54333 | (00000000– |) Clamp, Hose, Wormdrive, 0.31–0.88d, .31w | 4 |
| 19 | 365164 | (00000000– |) Fitting, Plstc, Str, Bm10/Bm10 | 1 |
| 20 | 64743 | (00000000– |) Fitting, Plstc, Str, Bm08/Pm06 | 1 |
| 21 | 1211537 | (00000000– |) Filter, In-Line, Pf06/Pf06 080m 2.6l Epd | 1 |
| 22 | 1212813 | (00000000– |) Fitting, Plstc, Str, Qf08/Pm06 | 1 |
| 23 | 1221945 | (00000000– |) Fitting, Plstc, E90, Qf08/Qf08 | 1 |
| 24 | 9014145 | (00000000– |) Hose, Afmkt, Pe, .375id .50od, 05ft | 1 |
| 25 | 1035352 | (00000000– |) Hose, Afmkt, Pvc, Clr, 0.62id, 08ftbox | 1 |
| 26 | 12273 | (00000000– |) Screw, Hex, M8 X 1.25 X 20, NI, Ss | 1 |
| 27 | 30013 | (00000000– |) Washer, Flat, 0.31, Fendr | 1 |
| 28 | 1247602 | (10945380– |) Fitting, Plstc, Str, Pm06/Pm06, Pyp | 1 |
| 29 | 1247579 | (10945380– |) Fitting, Plstc, E90, Bm06/Pm06, Pyp | 1 |
| 30 | 1247259 | (10945380– |) Fitting, Plstc, Tee, Bm06/Bm06/Bm06, Pyp | 1 |
| 31 | 1247605 | (10945380– |) Fitting, Plstc, Str, Pf06/Pf06, Pyp | 1 |
| 32 | 9019340 | (00000000–10945379 |) Maint Kit, Drain, Compartment, Battery | 1 |

Fig. 25 – Electrical Box Group

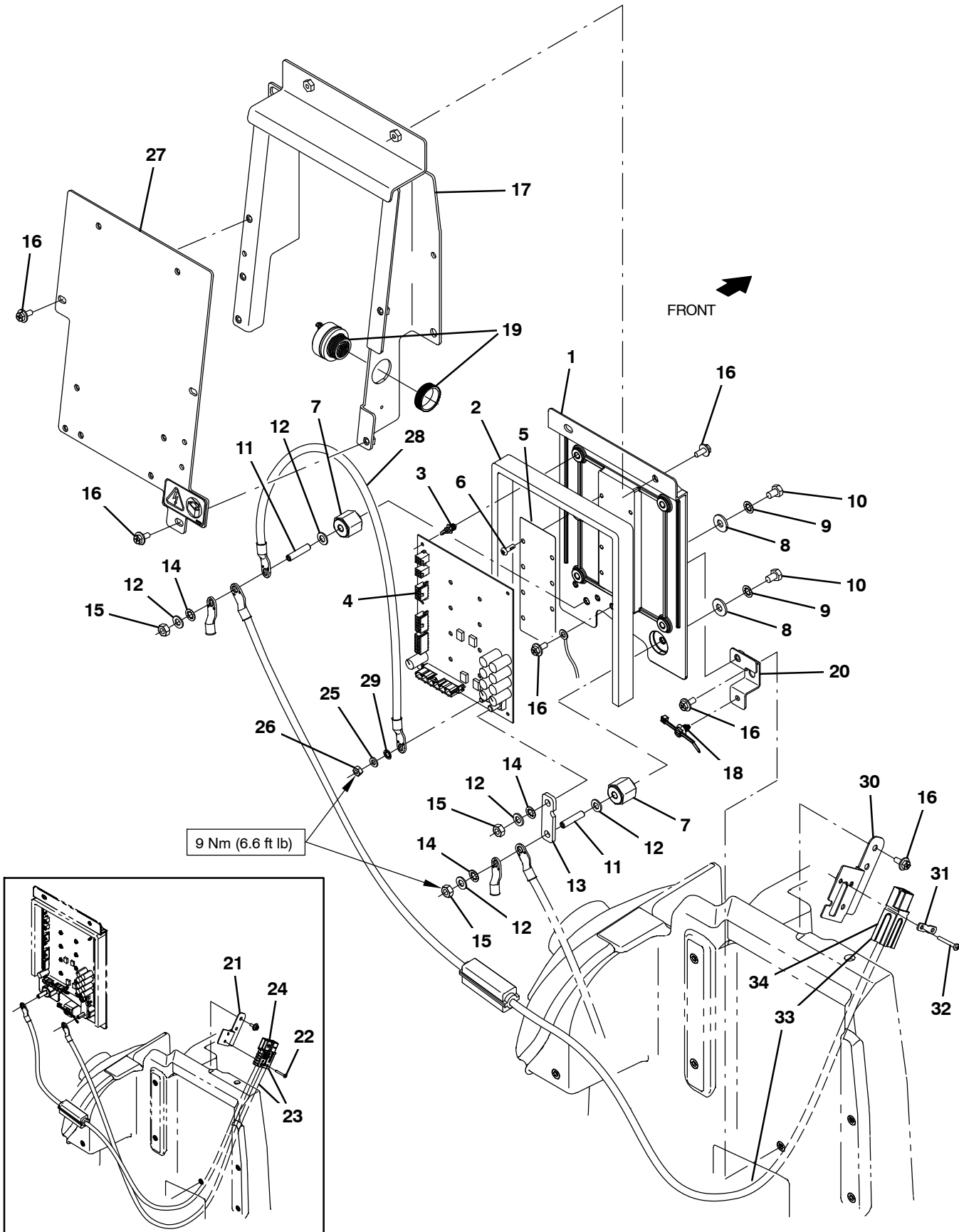


Fig. 25 – Electrical Box Group

| Ref. | Part No. | Serial Number | Description | Qty. | |
|------|----------|--------------------|--|-------------------------------------|---|
| 1 | 1210631 | (00000000– |) Heatsink, Mtg, Circuitboard, 12.1 X 08.6 | 1 | |
| 2 | 1208628 | (00000000– |) Gasket, Cover, Circuitboard | 1 | |
| 3 | 1209448 | (00000000– |) Standoff, Circuitboard, .25 | 5 | |
| 4 | 9040084* | (00000000– |) Board kit, Scb, Std, Ci | 1 | |
| 5 | 1210381 | (00000000– |) Circuitboard, Silpad [Vw, Lower] | 1 | |
| 6 | 1205799 | (00000000– |) Screw, Btn, M5 X 0.8 X 16, 8.8, NI, Torx | 8 | |
| 7 | 1205345 | (00000000– |) Stand-Off, Wir, M8, Insulator, Panel | 2 | |
| 8 | 01685 | (00000000– |) Washer, Flat, 0.38b 0.88d .08, Ss | 2 | |
| 9 | 43952 | (00000000– |) Washer, Lock, Int, 0.31, Ss | 2 | |
| 10 | 386868 | (00000000– |) Screw, Hex, M8 X 1.25 X 12, Ss | 2 | |
| 11 | 607461 | (00000000– |) Screw, Set, M8 X 1.25 X 35, NI | 2 | |
| 12 | 1209373 | (00000000– |) Washer, Flat, M8.4b X 16d X 1.6, Brs | 5 | |
| 13 | 1212780 | (00000000– |) Busbar, 125a 0.188 0.750w 2.638l | 1 | |
| 14 | 43952 | (00000000– |) Washer, Lock, Int, 0.31, Ss | 3 | |
| 15 | 41361 | (00000000– |) Nut, Hex, Std, M8 X 1.25, Brs | 3 | |
| 16 | 1034731 | (00000000– |) Screw, Hex, M6 X 1.00 X 16, Sems, Ss | 7 | |
| 17 | 1226948 | (00000000– |) Cover Wldt, Control | 1 | |
| 18 | 1210807 | (00000000– |) Wire, Tie [W/.25" Fir Tree Clip] | 5 | |
| 19 | 1021290 | (00000000– |) Alarm, Warning [Sonalert, St628] | 1 | |
| 20 | 1225906 | (00000000– |) Bracket Wldt, Heat Sink | 1 | |
| 21 | 1224826 | (00000000–10897476 |) Plate Wldt, Mount, Battery Disconnect | 1 | |
| 22 | 33931 | (00000000–10897476 |) Screw, Pan, Phl, M4 X 0.70 X 30, Ss | 2 | |
| ▽ | 23 | 1075580 | (00000000–10897476) Cable, Battery, Fuse [Sb120, 100A] (Replaced by 9018173) | 1 | |
| ▲ | 24 | 605387 | (00000000–10897476) Connector, Anderson, 050A, Red [W/o Con] | 1 | |
| 25 | 1061918 | (00000000– |) Washer, Flat, 0.25b 0.47d .06, Brs | 1 | |
| 26 | 1061910 | (00000000– |) Nut, Hex, Std, M6 X 1.00, Brs | 1 | |
| 27 | 9016800 | (00000000– |) Plate Wldt, Mtg, Charger, Na W/Label | 1 | |
| 27 | 9016801 | (00000000– |) Plate Wldt, Mtg, Charger, Ce Jp W/Label | 1 | |
| 28 | 1074945 | (00000000– |) Cable, 04Ga 15.0L Red [M8 Ring/M6 Ring] | 1 | |
| 29 | 07515 | (00000000– |) Washer, Lock, Int, 0.25, Ss | 1 | |
| 30 | 1239877 | (10897477– |) Plate Wldt, Mount, Battery Disconnect | 1 | |
| 31 | 1240380 | (10897477– |) Plate, Washer, Battery, Connector | 1 | |
| 32 | 33931 | (10897477– |) Screw, Pan, Phl, M4 X 0.70 X 30, Ss | 2 | |
| ▽ | 33 | 1076392 | (10897477– |) Cable, Battery, Fuse [Pp120, 10A] | 1 |
| ▲ | 34 | 1020446 | (10897477– |) Connector, Anderson, 1321 Series | 1 |

* Requires Tennant *True* service or an authorized Tennant service provider.

Fig. 26 – Electrical Group

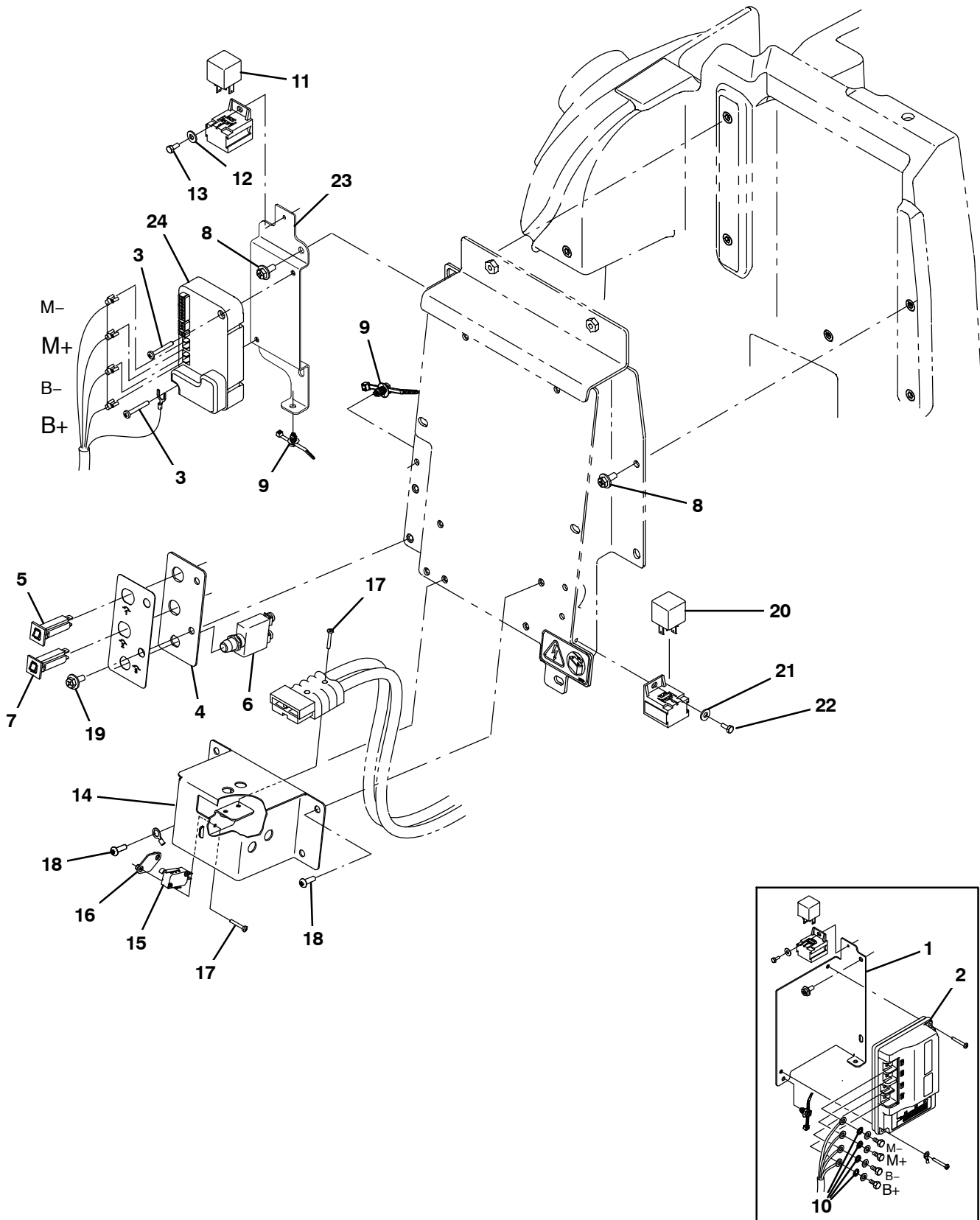
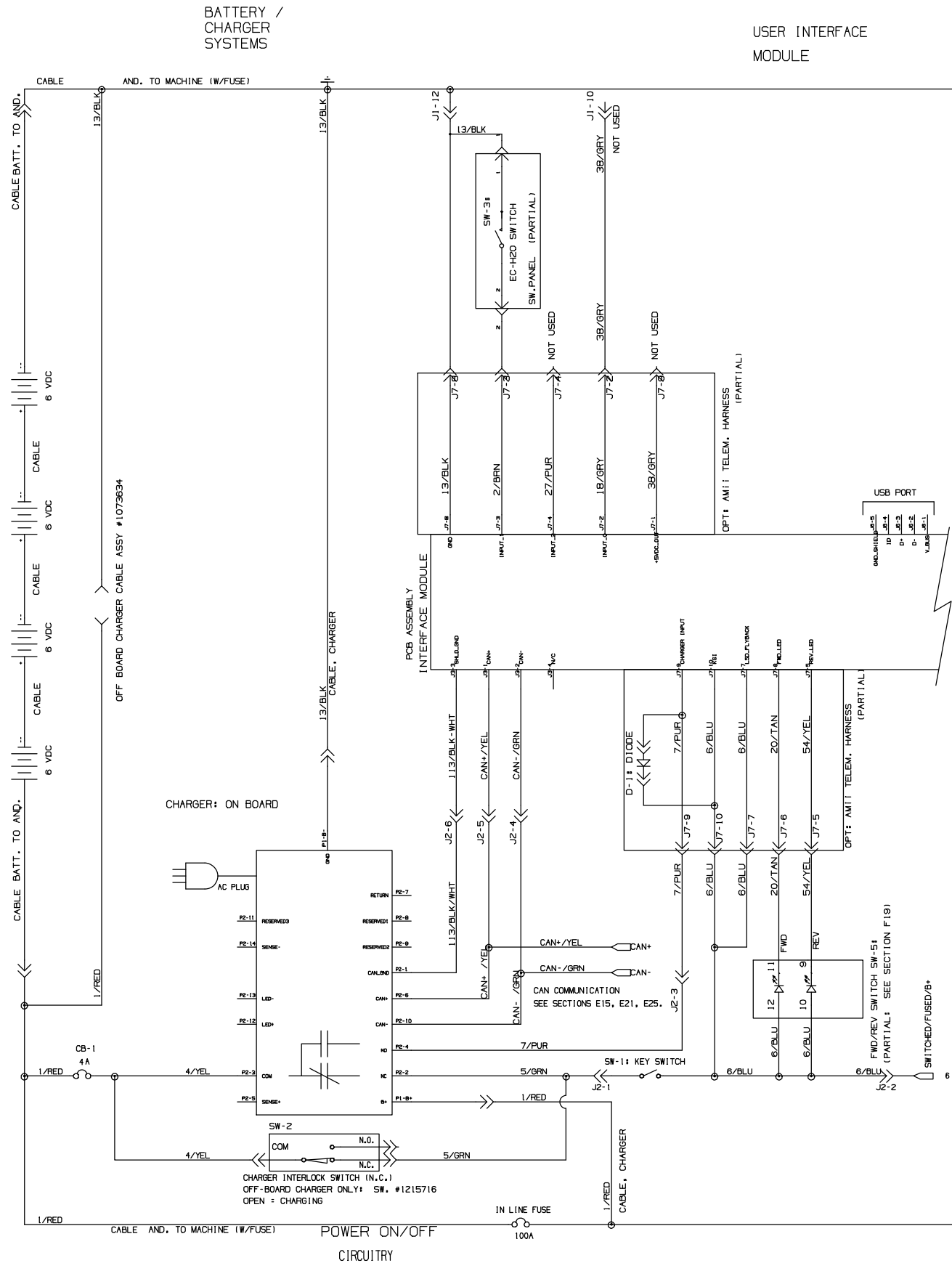


Fig. 26 – Electrical Group

| Ref. | Part No. | Serial Number | Description | Qty. |
|------|----------|----------------------|--|------|
| 1 | 1225881 | (00000000–11052764) | Bracket Wldt, Mtg, I–Drive | 1 |
| 2 | 9016821 | (00000000–11052764) | Controller Kit, Spd, Ci [T350/SS350] | 1 |
| 3 | 33931 | (00000000–) | Screw, Pan, Phl, M4 X 0.70 X 30, Ss | 2 |
| 4 | 1225495 | (00000000–) | Bracket, Mtg, Circuitbreaker | 1 |
| 5 | 1208816 | (00000000–) | Circuitbreaker, 04.0a, Resetable | 1 |
| 6 | 383730 | (00000000–) | Circuitbreaker, 70.0a | 1 |
| 7 | 1064187 | (00000000–) | Circuitbreaker, 10.0A, Resetable (ec–H20 OPTION) | 1 |
| 8 | 1034731 | (00000000–) | Screw, Hex, M6 X 1.00 X 16, Sems, Ss | 6 |
| 9 | 1210807 | (00000000–) | Wire, Tie [W/.25" Fir Tree Clip] | 1 |
| 10 | 32982 | (00000000–11052764) | Washer, Lock, Int, 0.25 | 4 |
| 11 | 49309 | (00000000–) | Relay, 24vdc, 015a, Spdt No | 1 |
| 12 | 01683 | (00000000–) | Washer, Flat, 10, Ss | 1 |
| 13 | 16944 | (00000000–) | Screw, Hex, M4 X 0.70 X 10, Fmg | 1 |
| 14 | 1228332 | (00000000–) | Cover Wldt, Socket, Off–Board Charger | 1 |
| 15 | 1215716 | (00000000–) | Switch, 0.1a, Spdt[Micro, Gold Contacts] | 1 |
| 16 | 1013705 | (00000000–) | Plate, Thread, Switch, M3 Nut, 96hr PI | 1 |
| 17 | 06922 | (00000000–) | Screw, Pan, Phl, M3 X 0.50 X 20, 4.8 | 4 |
| 18 | 1205799 | (00000000–) | Screw, Btn, M5 X 0.8 X 16, 8.8, NI, Torx | 4 |
| 19 | 1034731 | (00000000–) | Screw, Hex, M6 X 1.00 X 16, Sems, Ss | 2 |
| 20 | 49309 | (00000000–) | Relay, 24vdc, 015a, Spdt No (ec–H20 OPTION) | 1 |
| 21 | 01683 | (00000000–) | Washer, Flat, 10, Ss (ec–H20 OPTION) | 1 |
| 22 | 16944 | (00000000–) | Screw, Hex, M4 X 0.70 X 10, Fmg (ec–H20 OPTION) | 1 |
| 23 | 1258175 | (11052765–) | Bracket Wldt, Mtg, I–Drive | 1 |
| 24 | 9015776 | (11052765–) | Drive Module Kit, Ci [T500/E/Ss500] | 1 |

Fig. 27 – Electrical Schematic



356786 – 1075602

Fig. 27 – Electrical Schematic

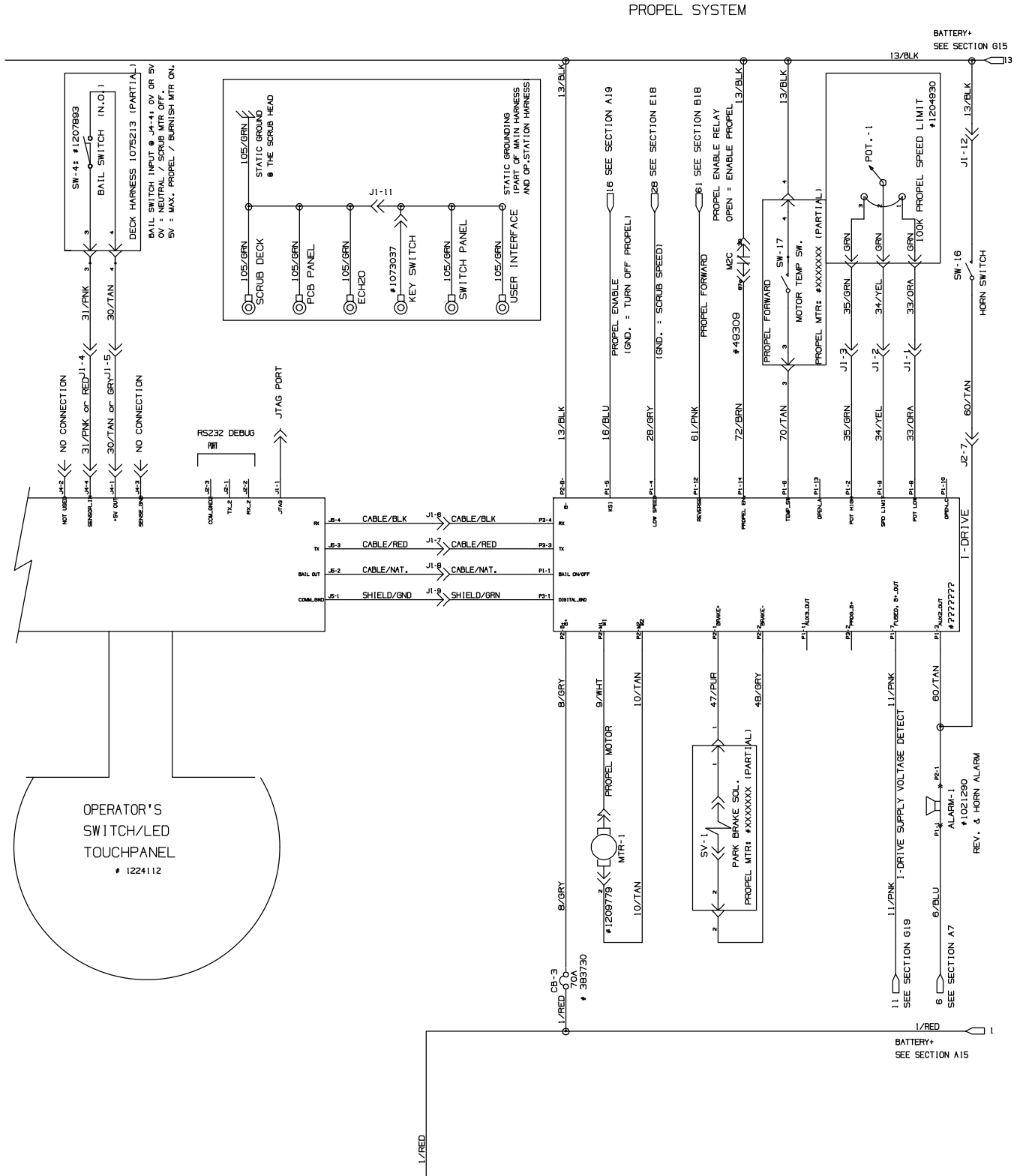


Fig. 27 – Electrical Schematic

PREMIUM CONTROLLER

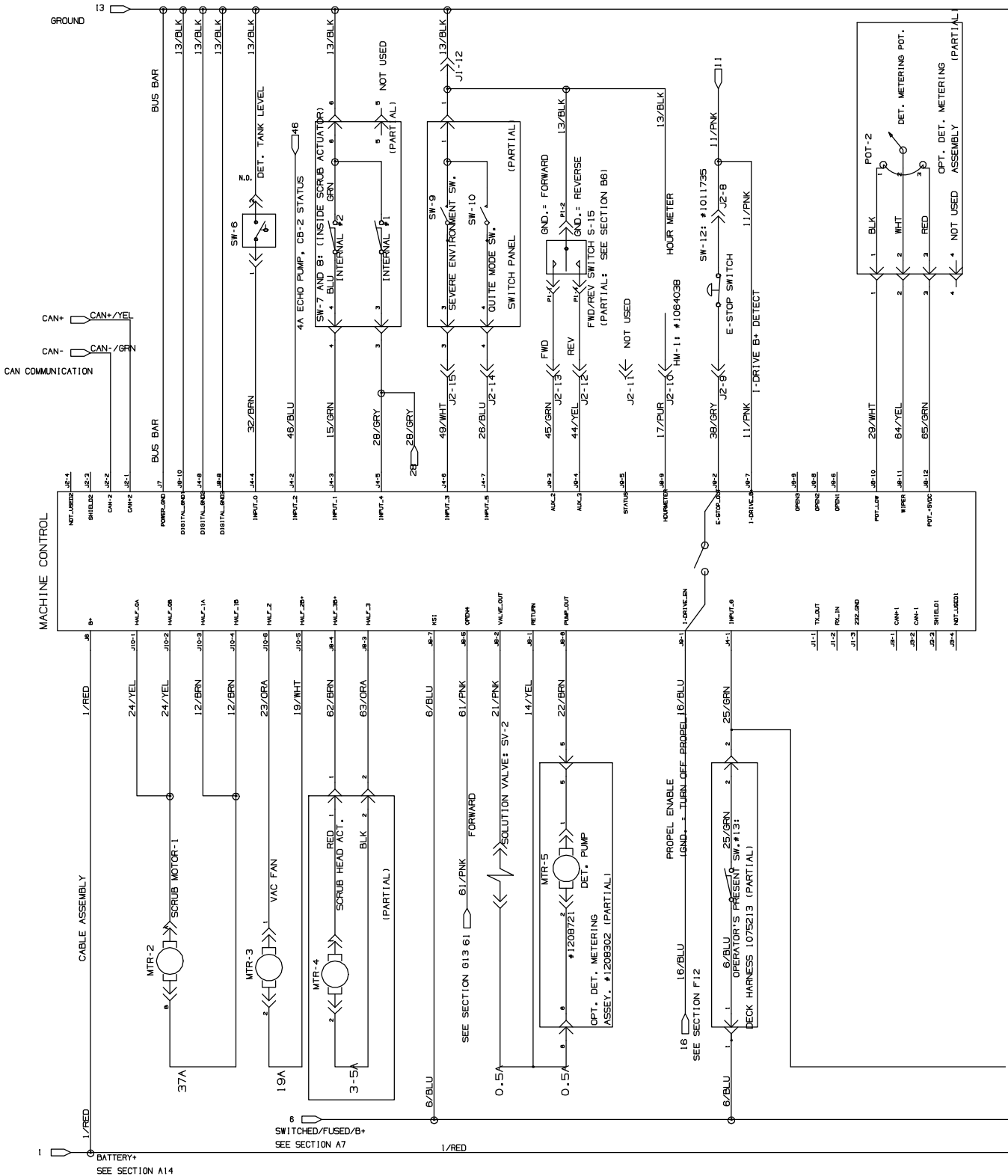
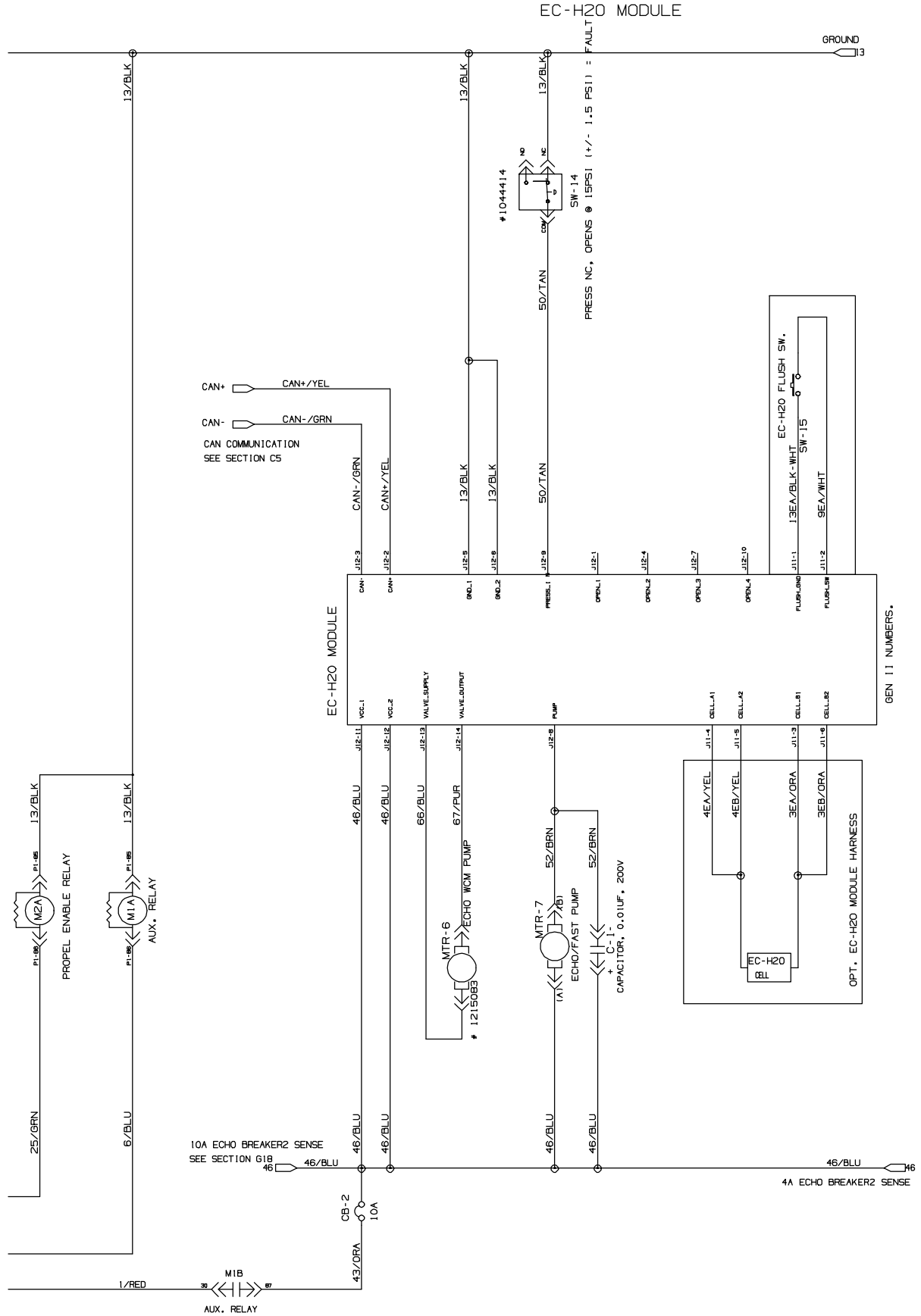
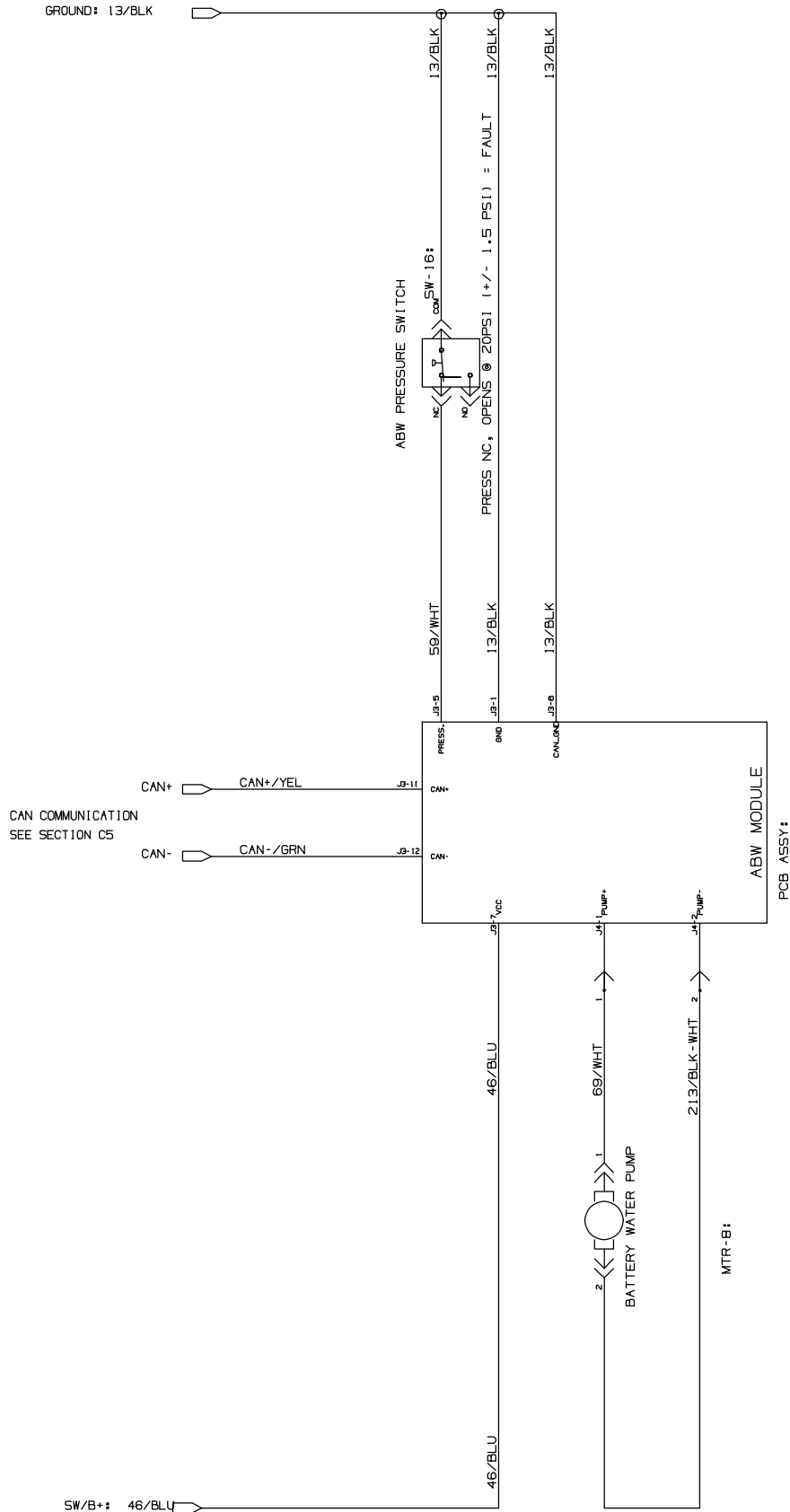


Fig. 27 – Electrical Schematic



356786 – 1075602

Fig. 27 – Electrical Schematic
ABW MODULE



356786 – 1075602

Fig. 28 - Electrical Wire Harnesses Group

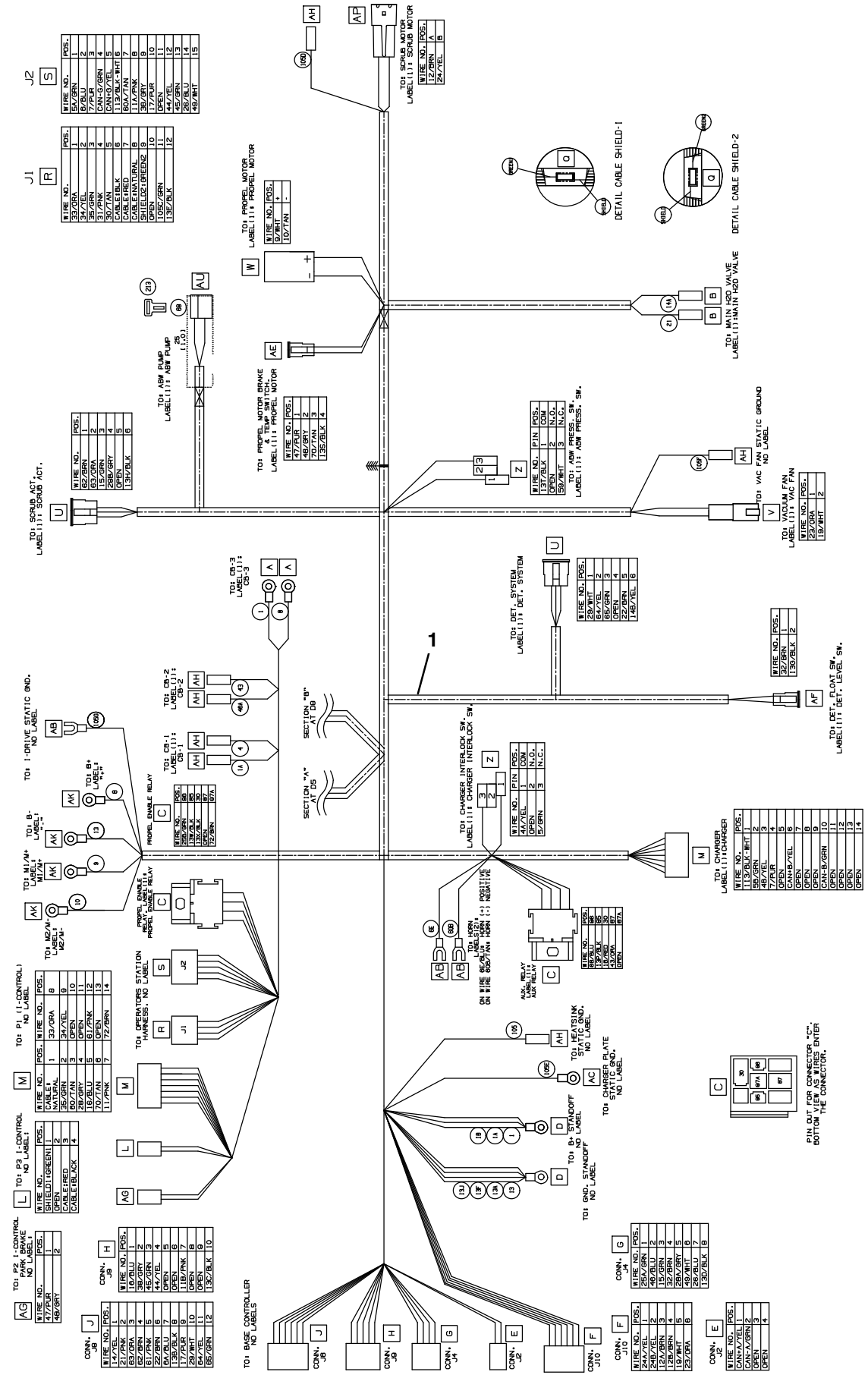


Fig. 28 - Electrical Wire Harness Group

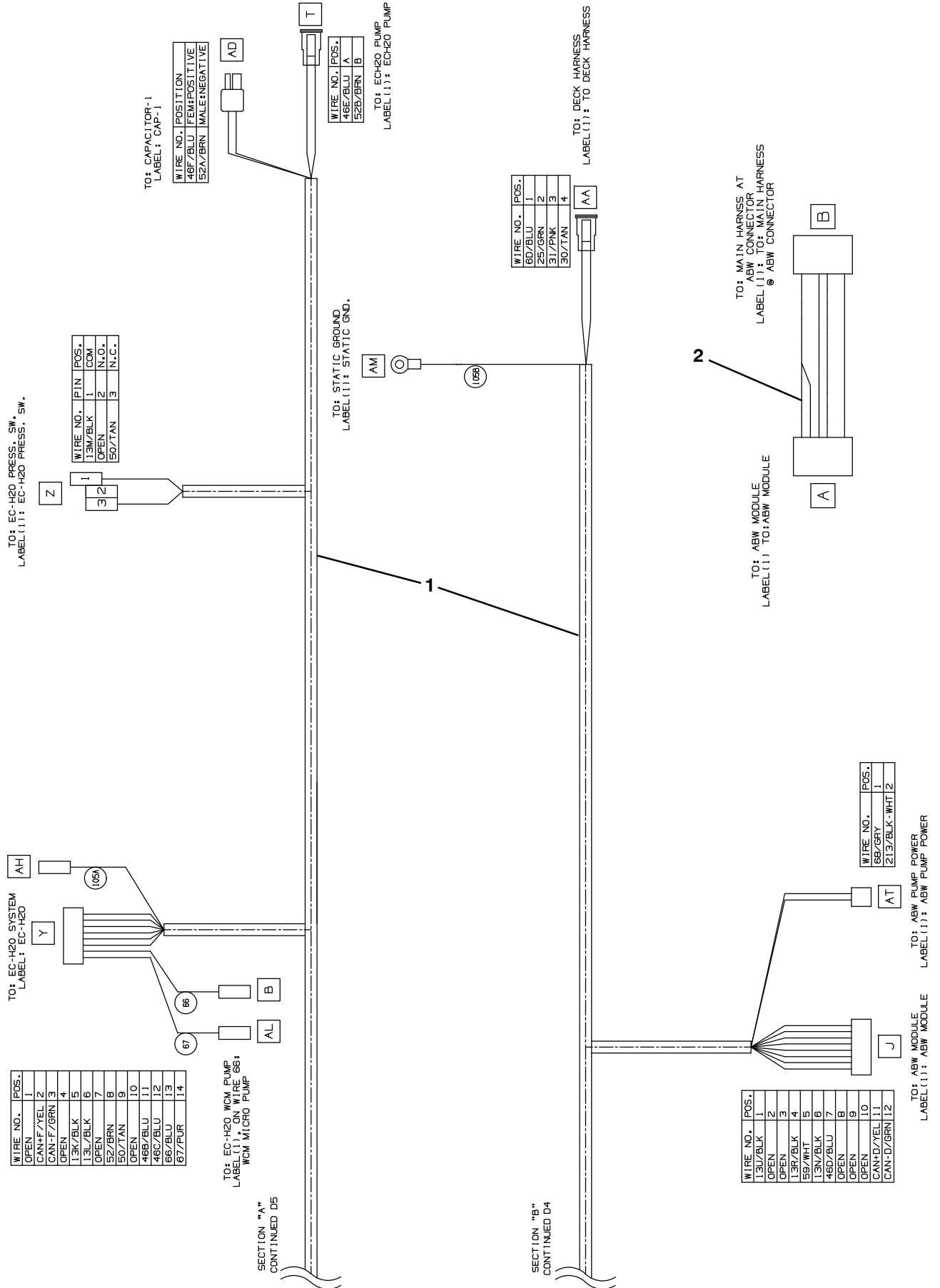


Fig. 28 – Electrical Wire Harness Group

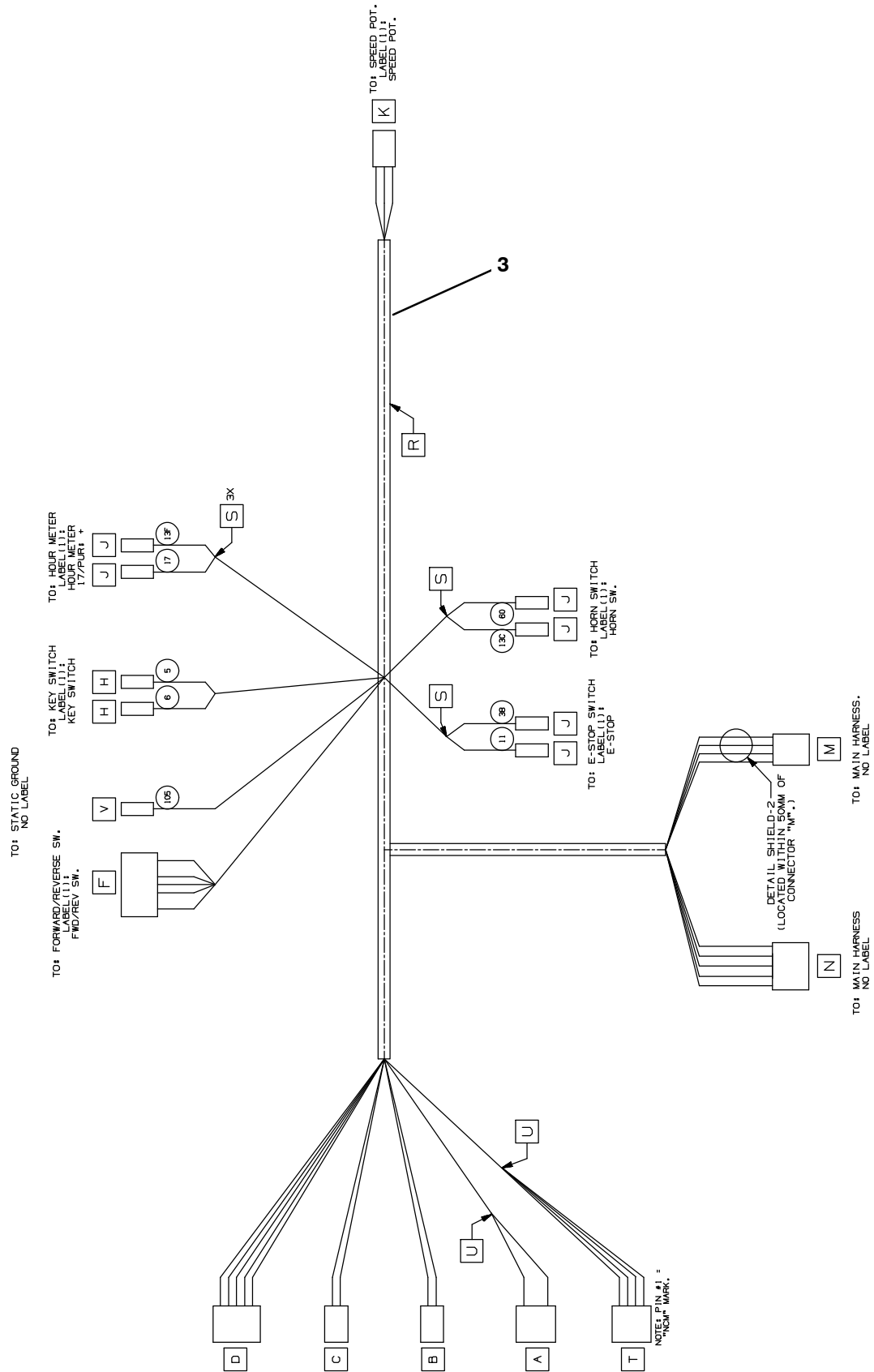
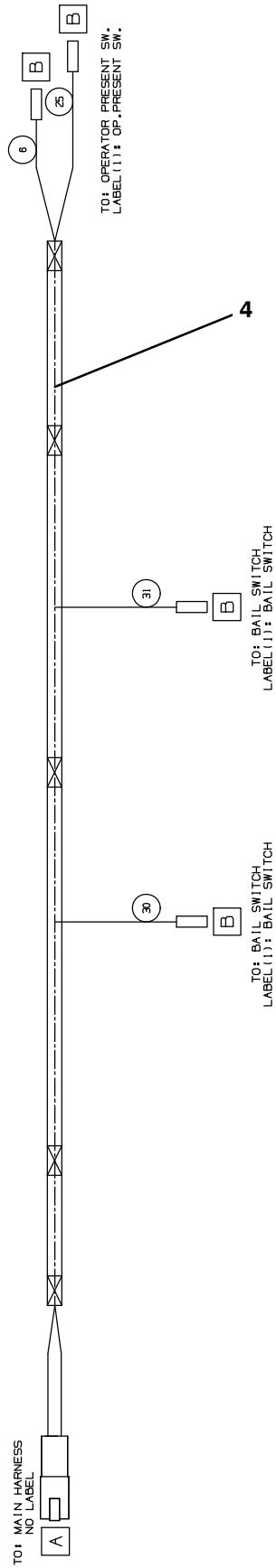
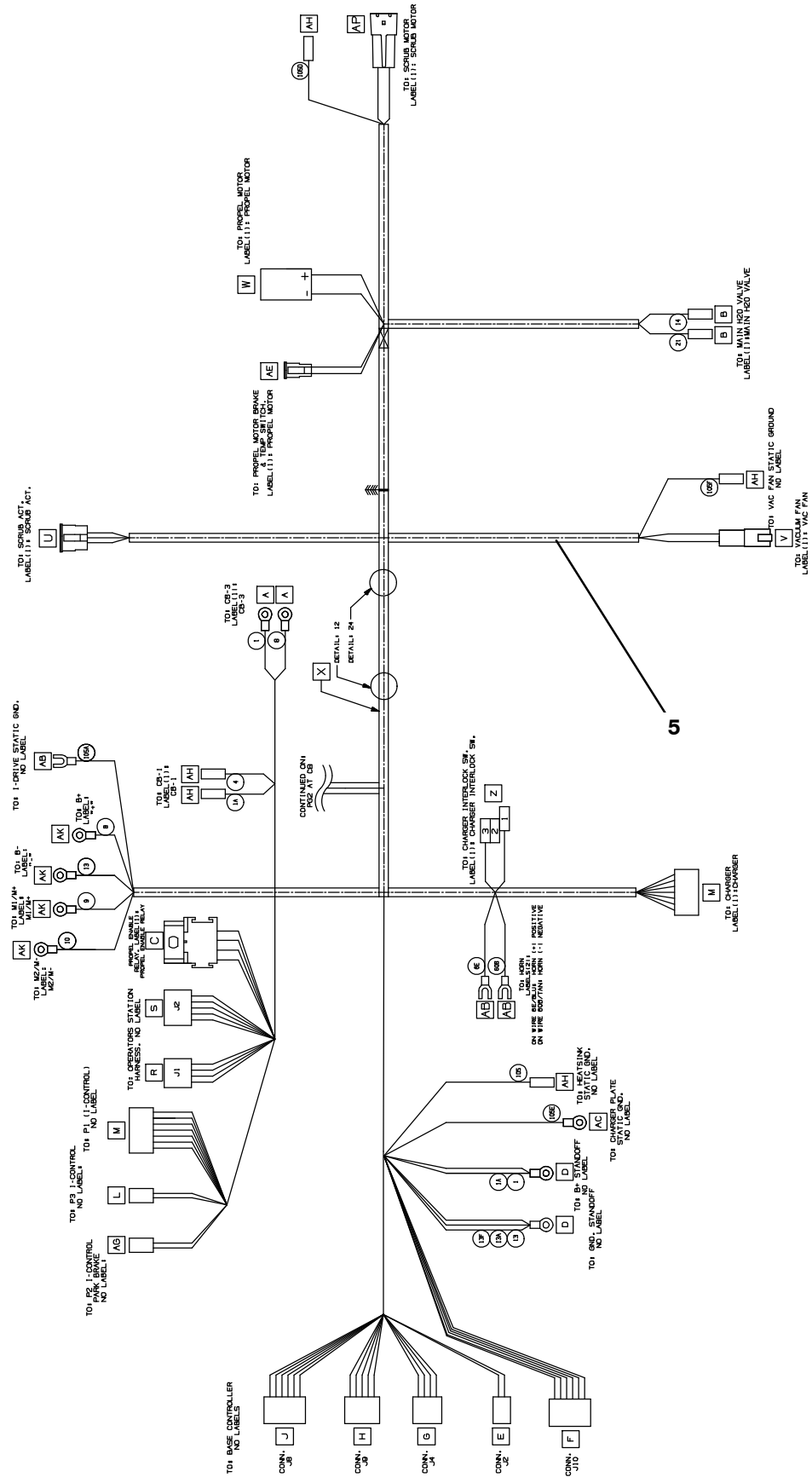


Fig. 28 – Electrical Wire Harnesses Group



356785

Fig. 28 - Electrical Wire Harness Group



356785

Fig. 28 – Electrical Wire Harnesses Group

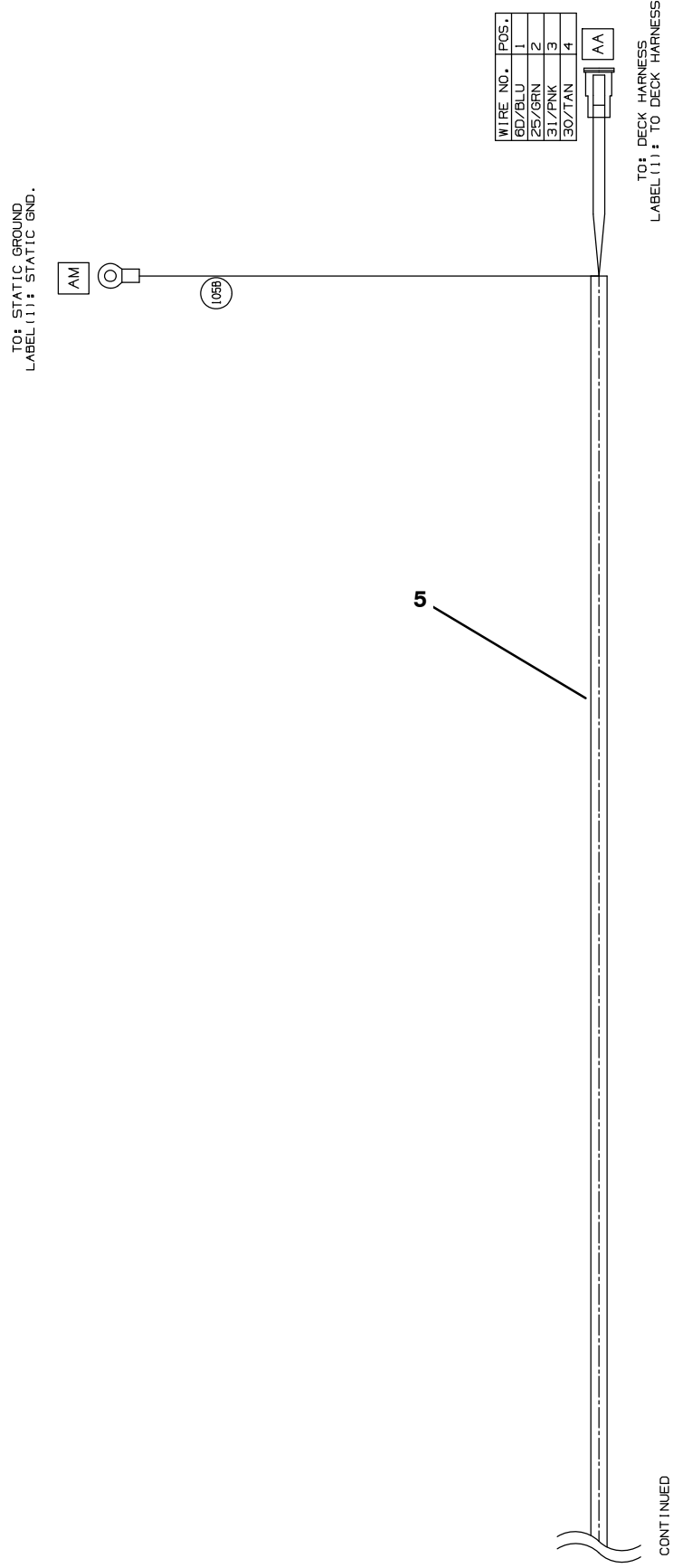


Fig. 28 - Electrical Wire Harnesses Group

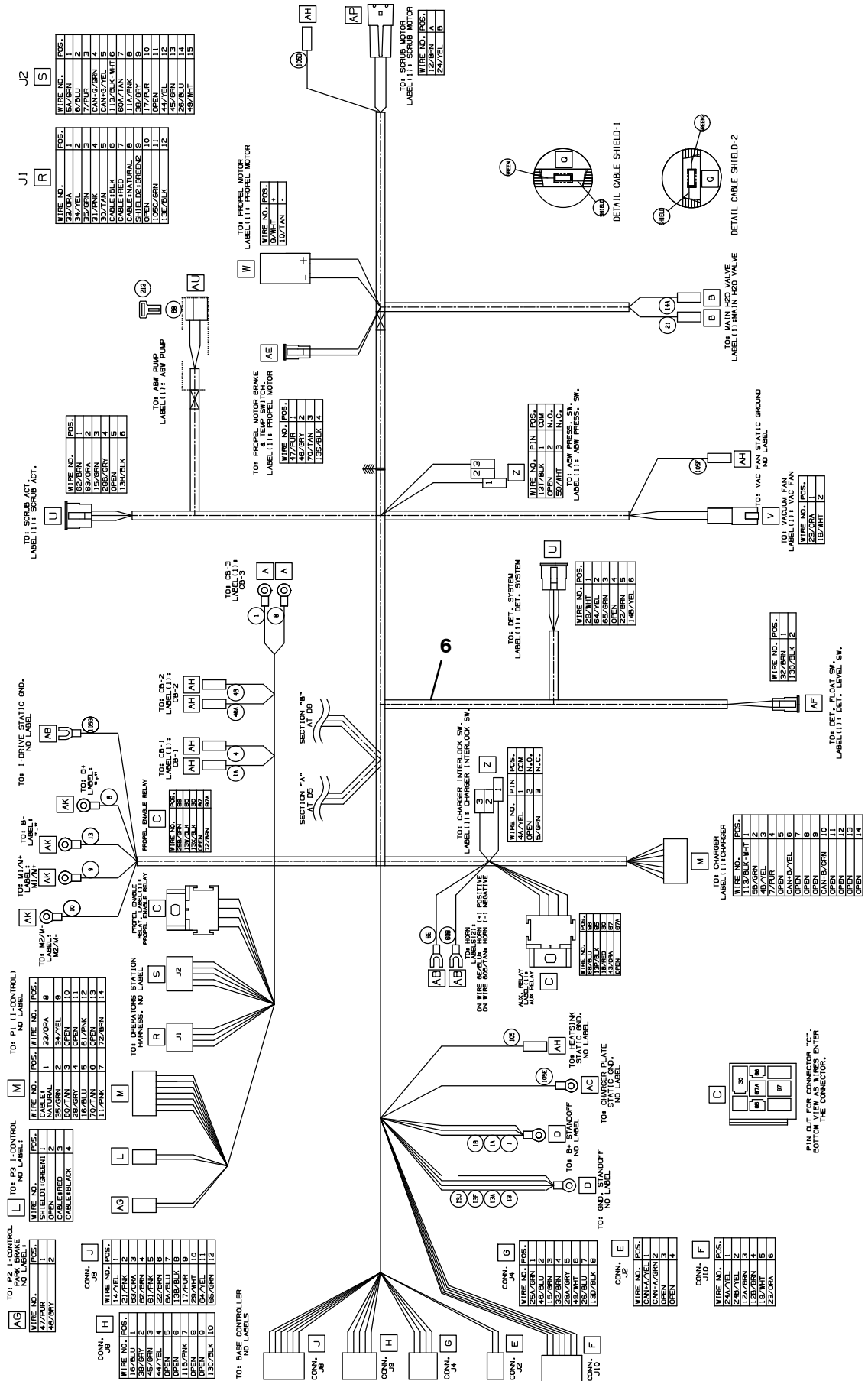


Fig. 28 - Electrical Wire Harness Group

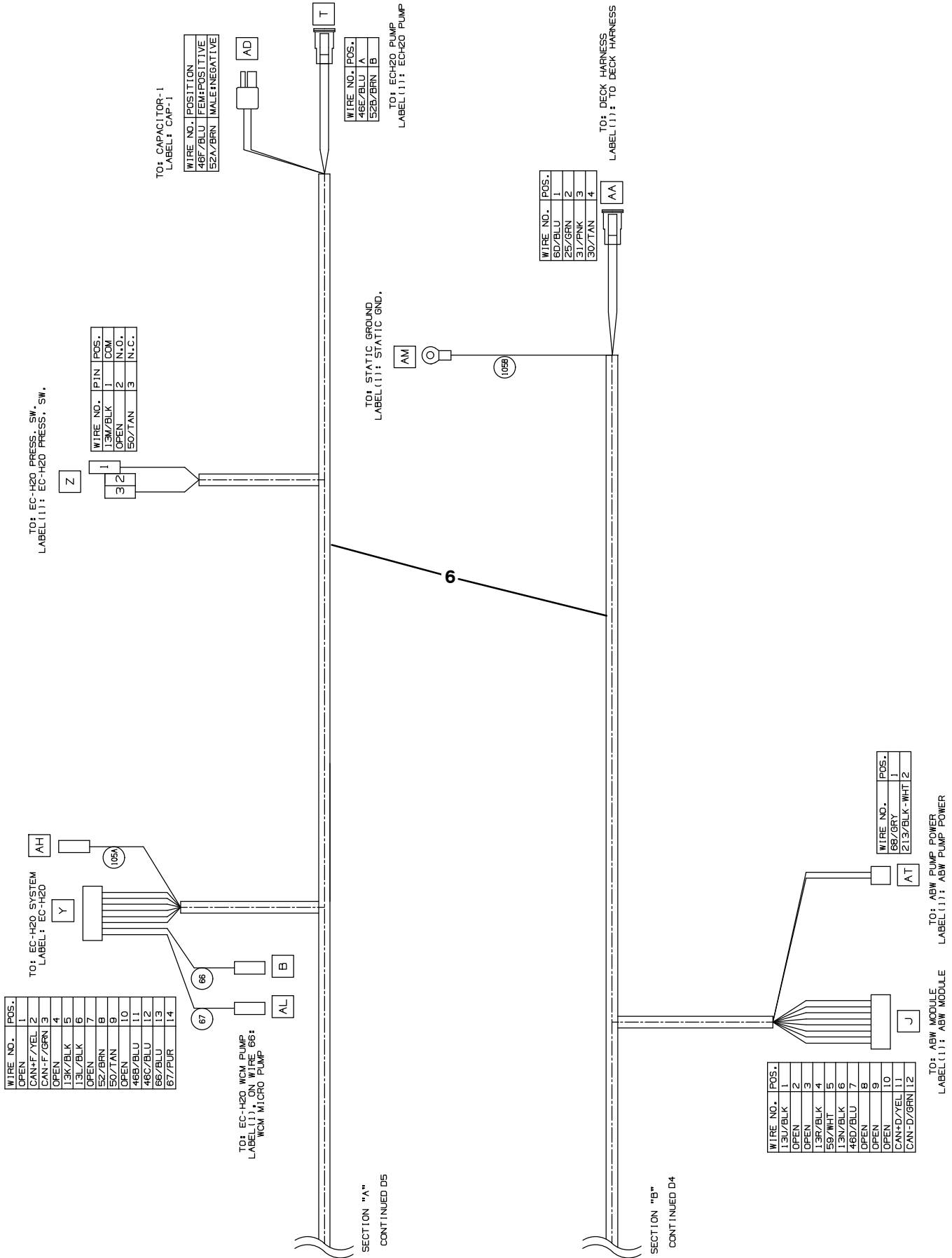


Fig. 28 - Electrical Wire Harness Group

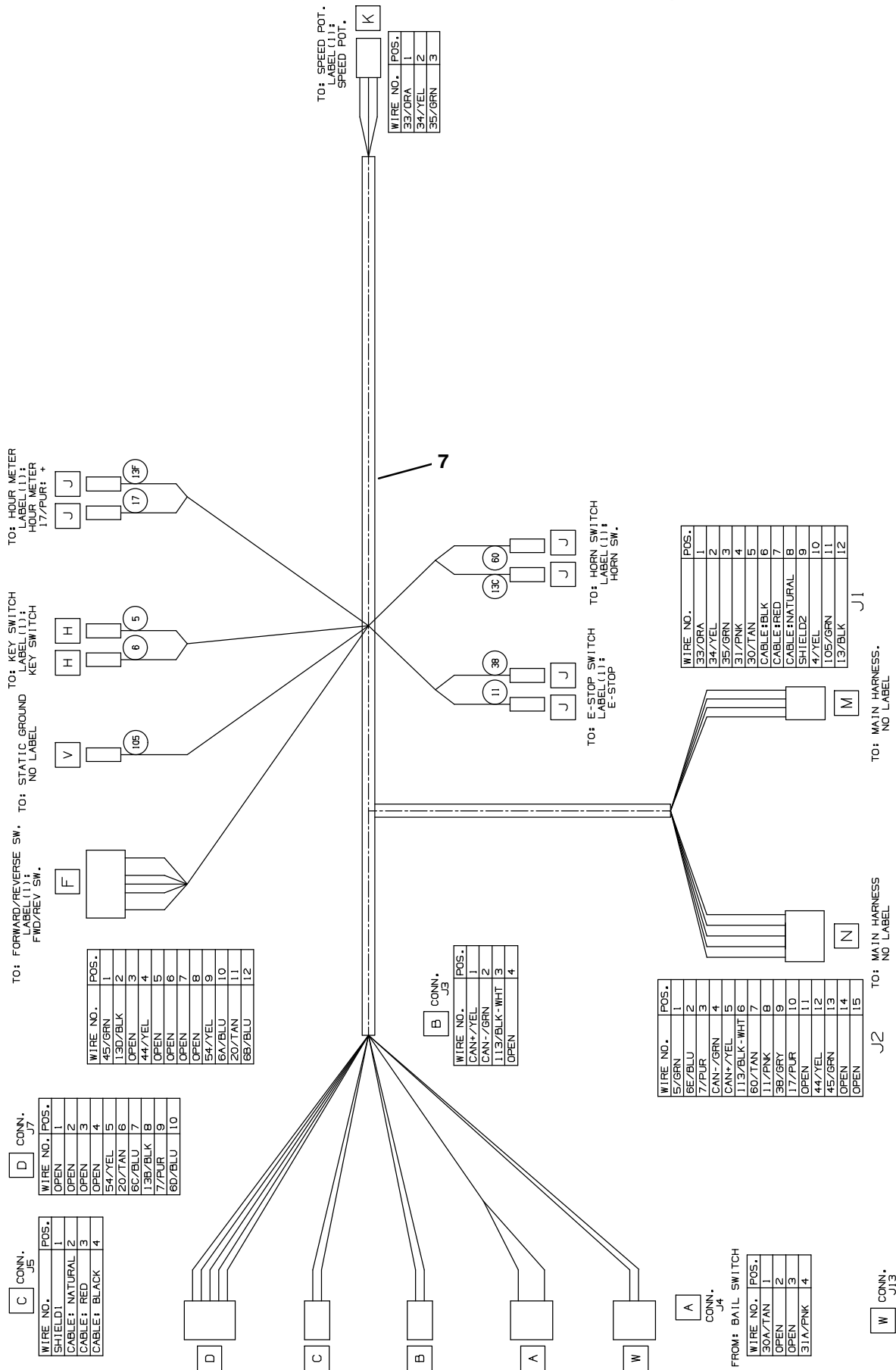


Fig. 28 - Electrical Wire Harnesses Group

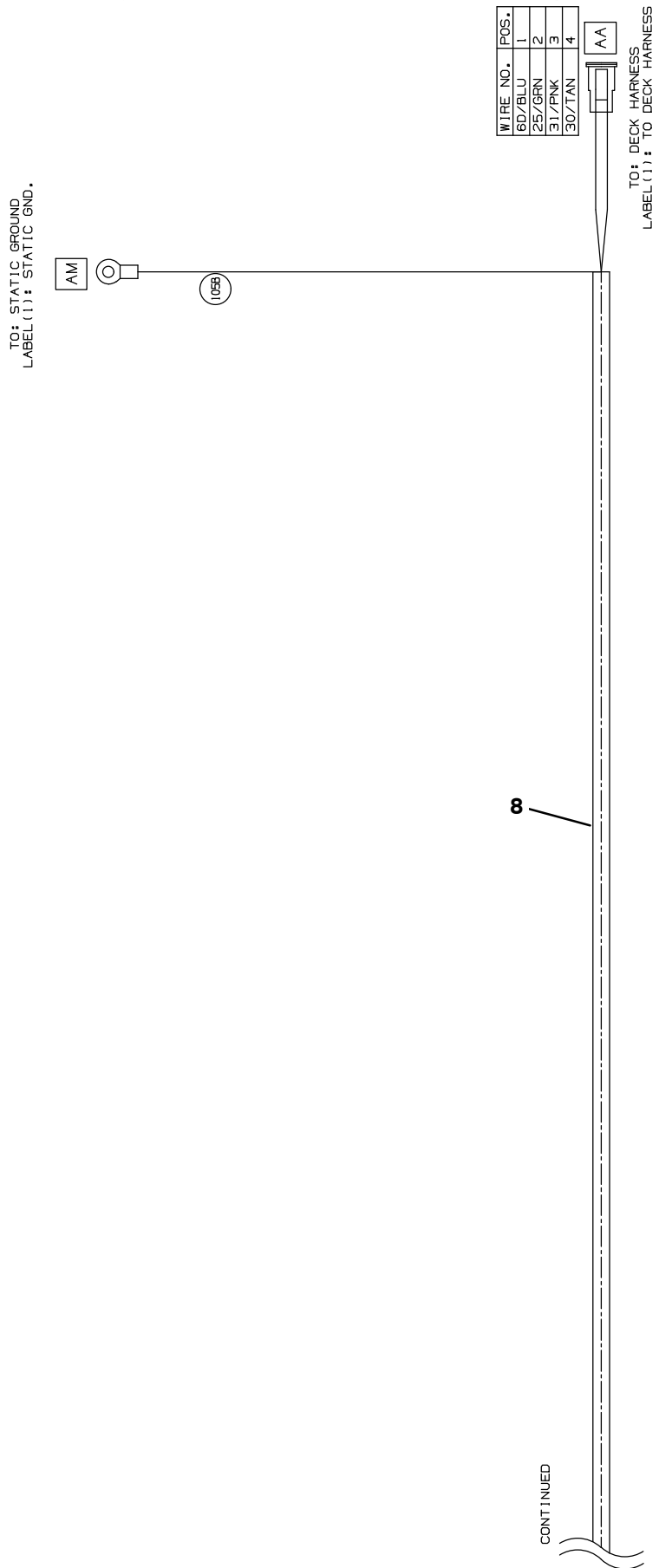


Fig. 28 – Electrical Wire Harness Group

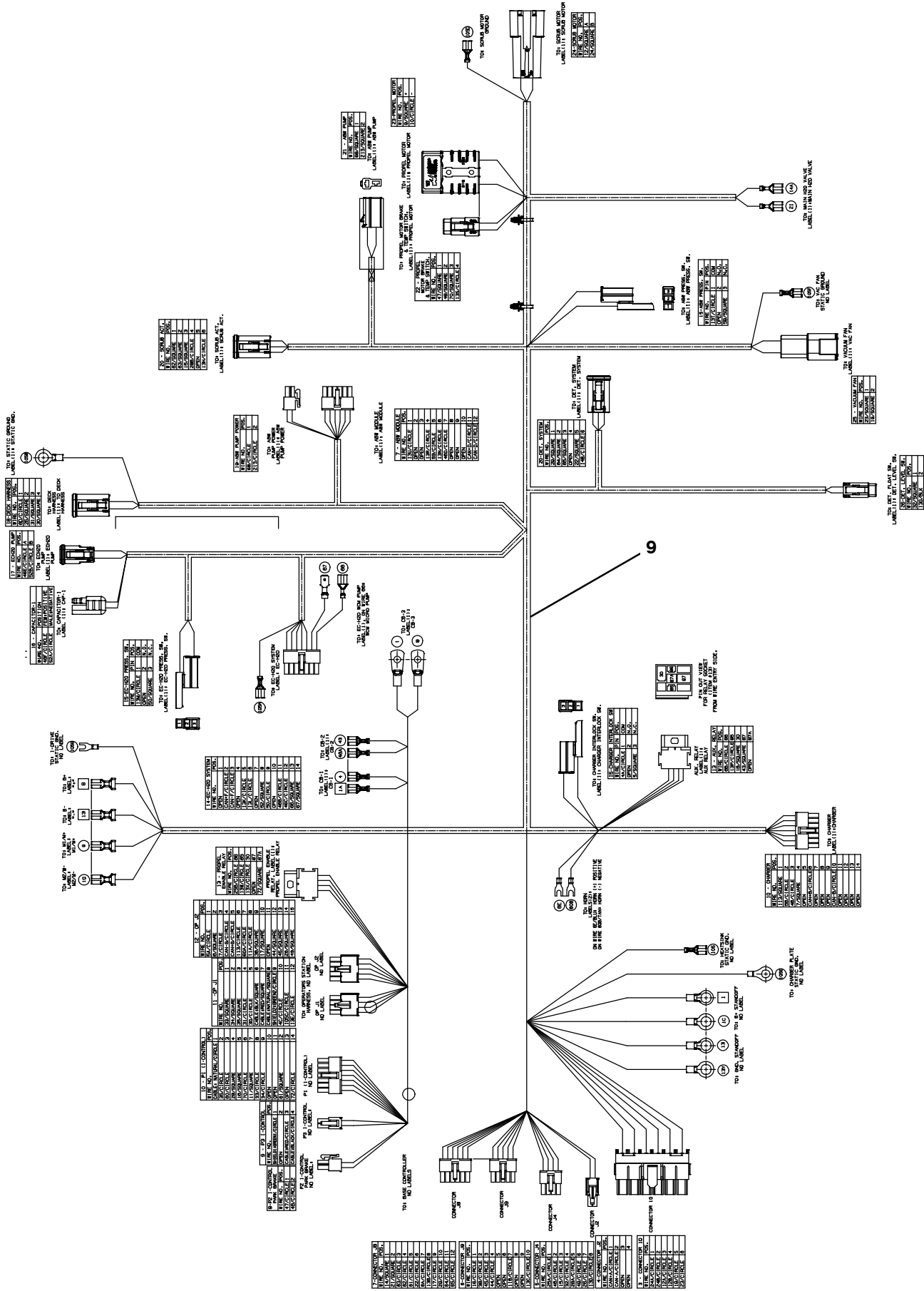


Fig. 28 – Electrical Wire Harnesses Group

| Ref. | Part No. | Serial Number | Description | Qty. |
|-------------|-----------------|----------------------|--|-------------|
| 1 | 1076627 | (00000000–11003112 |) Harness, Main, Ele [T350] | 1 |
| 2 | 1076629 | (00000000– |) Harness, Ele [Adaptor, ABW] | 1 |
| 3 | 1075200 | (00000000–11003112 |) Harness, Ele [T350, Op. Station] | 1 |
| 4 | 1075213 | (00000000– |) Harness, Ele [T350, Deck] | 1 |
| 5 | 1075573 | (00000000–11003112 |) Harness, Main, Ele [No Option, T350] | 1 |
| 6 | 1076921 | (11003113–11052764 |) Harness, Main, Ele [T350] | 1 |
| 7 | 1076736 | (11003113– |) Harness, Ele [T350, Op. Station] | 1 |
| 8 | 1076922 | (11003113–11052764 |) Harness, Main, Ele [No Option, T350] | 1 |
| 9 | 1077000 | (11052765– |) Harness, Main, Ele [T350] | 1 |
| 10 | 1077055 | (11052765– |) Harness, Main, Ele [No Option, T350] | 1 |



Fig. 29 - Label Group

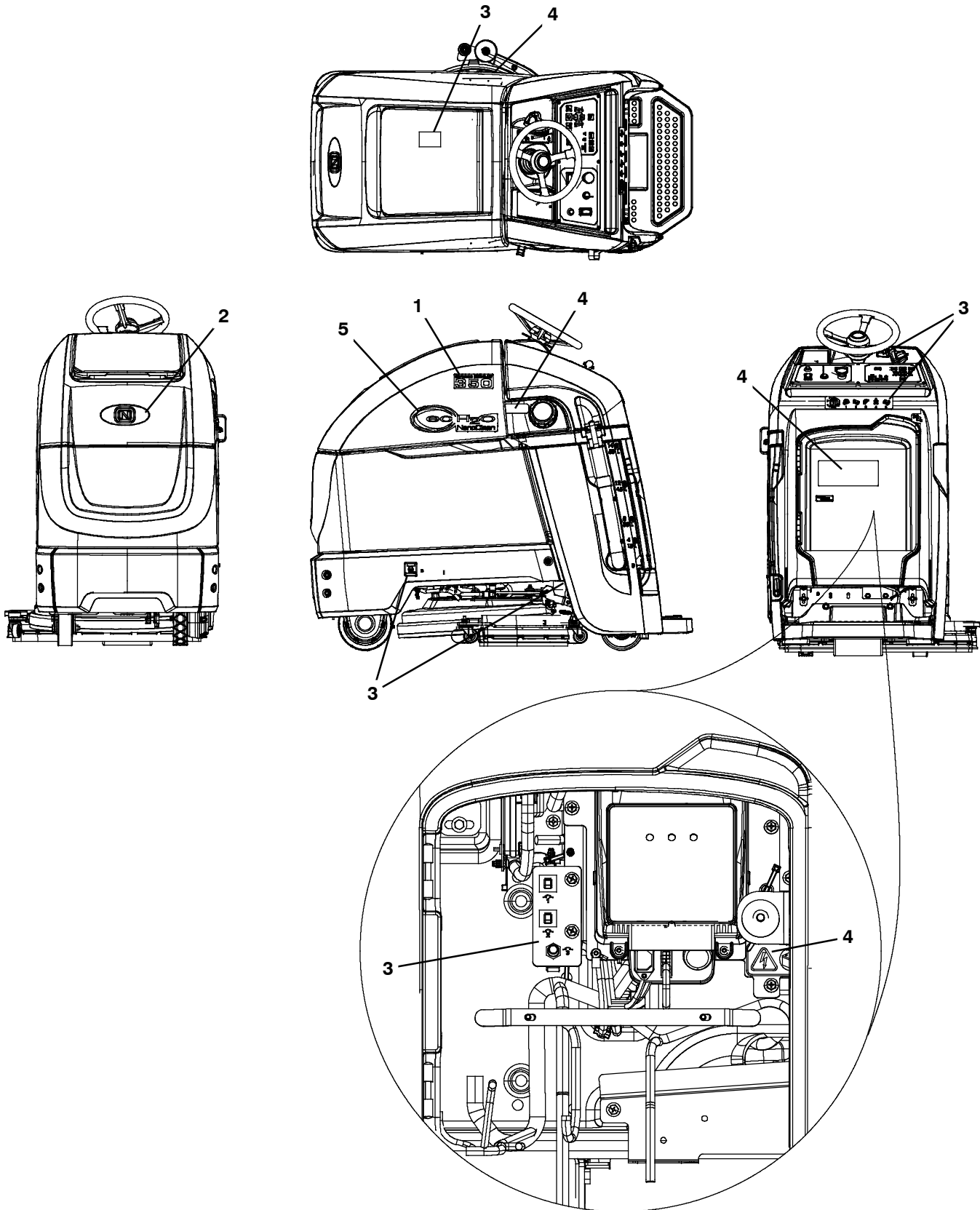


Fig. 29 – Label Group

| Ref. | Part No. | Serial Number | Description | Qty. |
|------|----------|---------------|-------------------------------------|------|
| 1 | 1233077 | (00000000- |) Label, Speed Scrub 350 | |
| 2 | 1206159 | (00000000- |) Label, Logo, 05.5l [Nobles] | |
| 3 | 1233347 | (00000000- |) Label Sheet, Operational [T350] | |
| 4 | 1220962 | (00000000- |) Label Sheet, Info/Hzrd [T500, Na] | |
| 5 | 1216520 | (00000000- |) Label, Logo [ecH20 Nano] | 2 |

SECTION 3

| Contents | Page |
|---|-------------|
| Fig. 1 – ec-H2O Solution Pump Group | 3-2 |
| Fig. 2 – ec-H2O Solution Supply Group | 3-4 |
| Fig. 3 – ES Detergent Metering / Severe Environment Group | 3-6 |
| Fig. 4 – Telemetry Group (S/N 00000000–11013677) | 3-8 |
| Fig. 5 – Telemetry Group, Membrane Panel (S/N 11013678 –) | 3-10 |
| Fig. 6 – Telemetry Group, Pro-Panel (S/N 11013678 –) | 3-12 |
| Fig. 7 – Battery Group, 210AH, C20 | 3-14 |
| Fig. 8 – Battery Group, 240AH, C20 | 3-16 |
| Fig. 9 – Battery Group, 210AH, C20 | 3-18 |
| Fig. 10 – Hydrolinkâ Battery Watering System .. | 3-20 |
| Fig. 11 – Smart-Fill Automatic Battery Watering System | 3-22 |
| Fig. 12 – Manual Battery Watering System | 3-24 |
| Fig. 13 – On-Board Charger Group | 3-26 |
| Fig. 14 – Off-Board Charger Group | 3-28 |
| Fig. 15 – Documentation Group | 3-30 |

Fig. 1 - ec-H2O Solution Pump Group

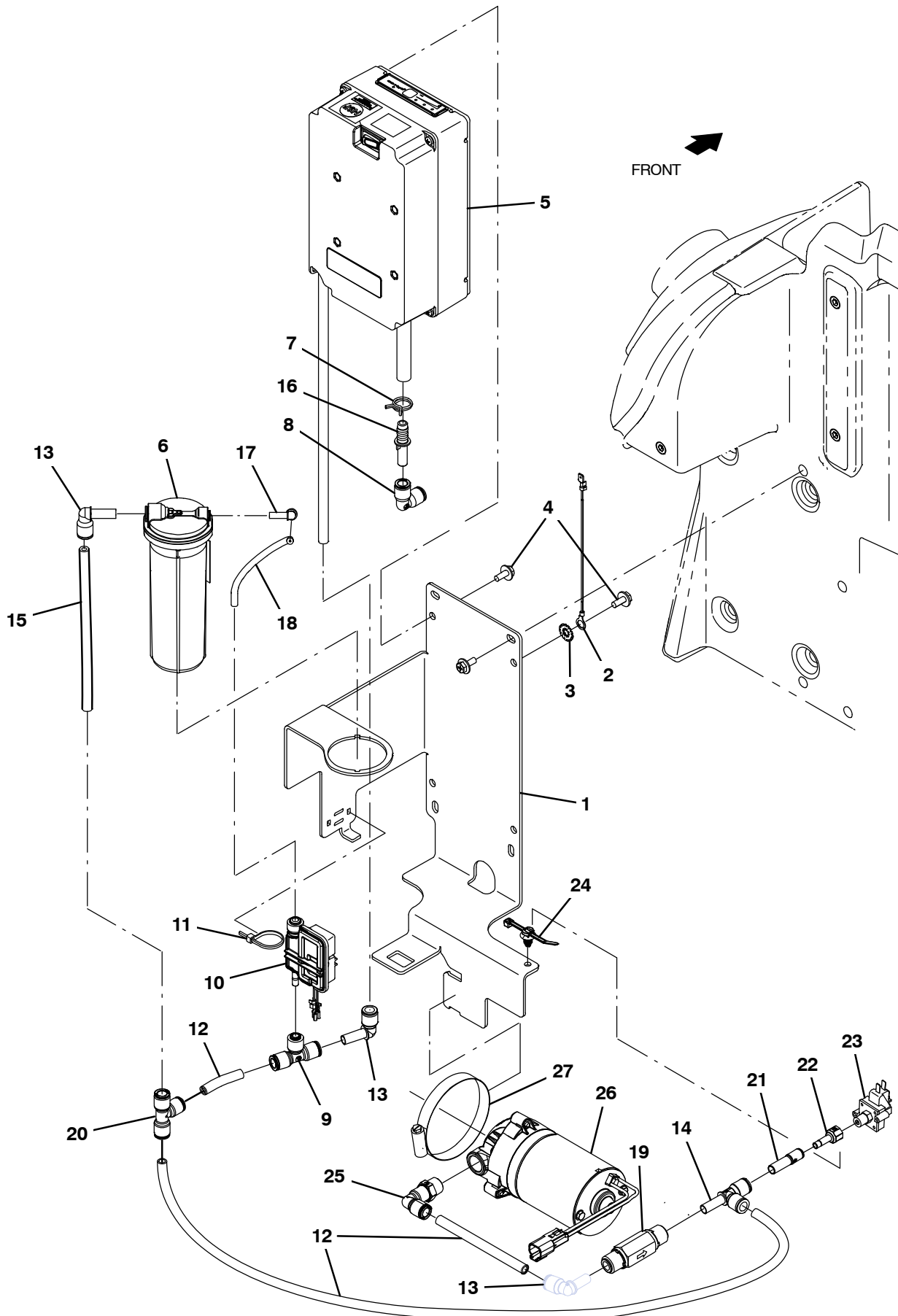


Fig. 1 – ec–H2O Solution Pump Group

| Ref. | Part No. | Serial Number | Description | Qty. |
|------|----------|---------------|--|------|
| 1 | 1231135 | (00000000– |) Plate, Mtg, Ech2o | 1 |
| 2 | 1074344 | (00000000– |) Harness, Ele [Ring With .250m Tail] | 1 |
| 3 | 41140 | (00000000– |) Washer, Lock, Int–Ext, 0.25 | 1 |
| 4 | 1034731 | (00000000– |) Screw, Hex, M6 X 1.00 X 16, Sems, Ss | 8 |
| ▽ | 5 | 9011810* | (00000000–11026321) Module Kit, Replmt [Ec–H2o, B 02] (See Breakdowns) (Replaced by 9021553) | 1 |
| ▲ | 6 | 9013646 | (00000000–11026321) Cartridge, Ec–H2o Nanoclean Wcm, 270ml | 1 |
| ▽ | 5 | 9021553* | (11026322–) Module Kit, Replmt [Ec–H2o, B 02] (See Breakdowns] | 1 |
| ▲ | 6 | 9013646 | (11026322–) Cartridge, Ec–H2o Nanoclean Wcm, 270ml | 1 |
| 7 | 607775 | (00000000– |) Clamp, Hose, Wir, .63 – .66, Blk | 1 |
| 8 | 1212856 | (00000000– |) Fitting, Plstc, E90, Qf06/Qf06 | 1 |
| 9 | 1212855 | (00000000– |) Fitting, Plstc, Tee, Qf04/Qf06/Qf06 | 1 |
| 10 | 1216973 | (00000000– |) Pump Assy, Dispenser | 1 |
| 11 | 130773 | (00000000– |) Tie, Cable, Nyl, 11.0l, .14w, 3.0 Max. D | 1 |
| 12 | 9014148 | (00000000– |) Hose, Afmkt, Nat, 0.25id 0.375od, 06ft | 1 |
| 13 | 1215186 | (00000000– |) Fitting, Plstc, E90, Qf06/Qm06 | 3 |
| 14 | 1224323 | (00000000– |) Fitting, Plstc, Tee, Qf06/Qf06/Qm06 | 1 |
| 15 | 9014212 | (00000000– |) Hose, Afmkt, Pvc, Grn 0.06id .38od, 02ft | 1 |
| 16 | 1223948 | (00000000– |) Fitting, Plstc, Str, Qm06/Bm06 | 1 |
| 17 | 1214339 | (00000000– |) Fitting, Plstc, E90, Qfo4/Qm04 | 1 |
| 18 | 9014211 | (00000000– |) Hose, Afmkt, Pvc, Grn .06id .25od, 02ft | 1 |
| 19 | 1215527 | (00000000– |) Valve, Check, 1.0 Psi Qf06/Qf06 | 1 |
| 20 | 1212573 | (00000000– |) Fitting, Plstc, Tee, Qf06/Qf06/Qf06 | 1 |
| 21 | 1212934 | (00000000– |) Fitting, Plstc, Str, Qf04/Qm06 | 1 |
| 22 | 1231855 | (00000000– |) Fitting, Plstc, Str, Qm04/Pf02 | 1 |
| 23 | 1044335 | (00000000– |) Switch, Press, 6psi, Pm02 | 1 |
| 24 | 1210807 | (00000000– |) Wire, Tie [W/.25" Fir Tree Clip] | 1 |
| 25 | 1212812 | (00000000– |) Fitting, Plstc, E90, Qf06/Pm06, Swivel | 1 |
| 26 | 1210517 | (00000000– |) Pump, Soltn, Ele, 24vdc, 35 Psi | 1 |
| 27 | 43555 | (00000000– |) Clamp, Hose, Wormdrive, 2.62–3.50d | 1 |

* Requires Tennant *True* service or an authorized Tennant service provider.

▽ Assembly

▲ Included In Assembly

Fig. 2 - ec-H2O Solution Supply Group

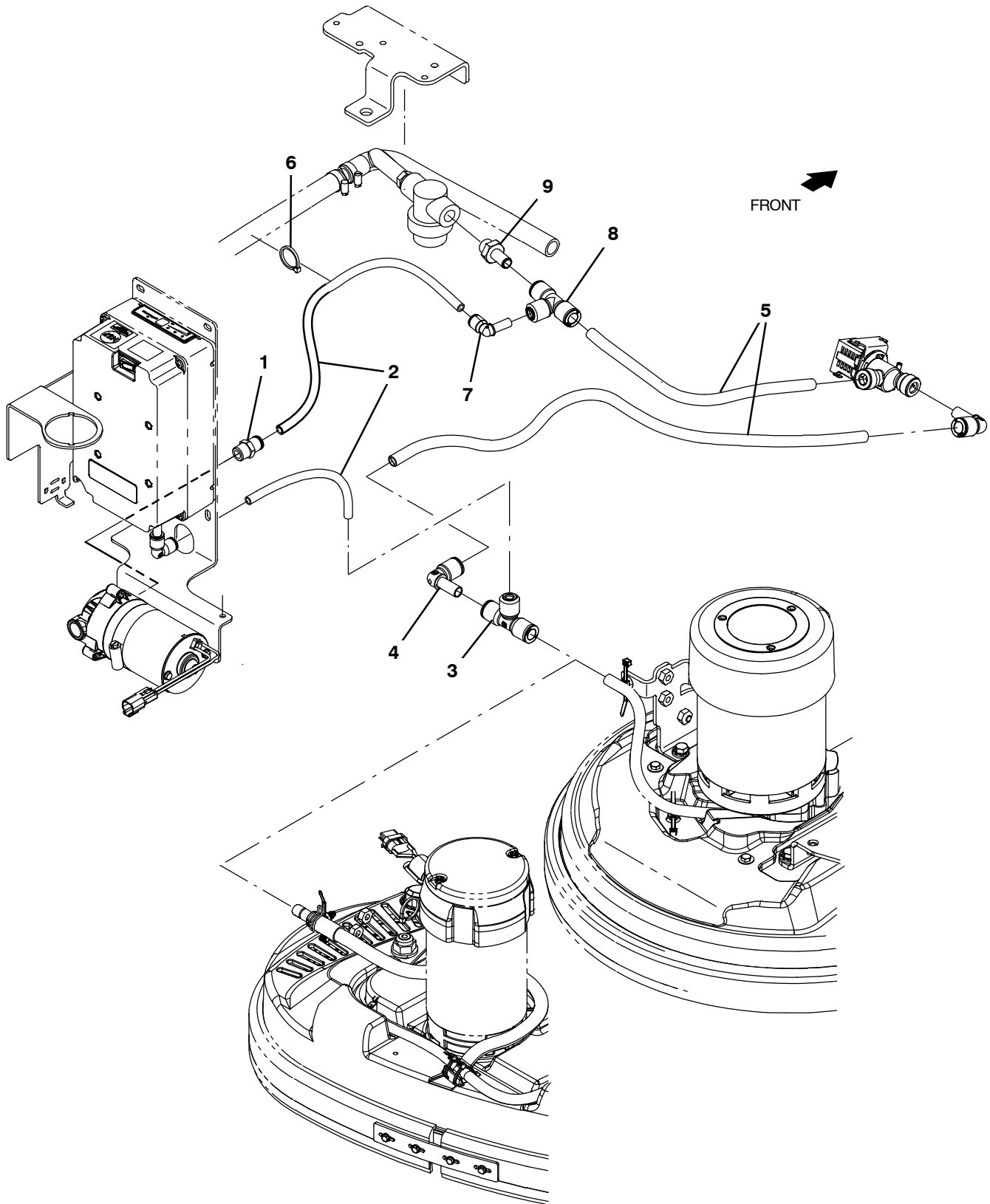


Fig. 2 – ec–H2O Solution Supply Group

| Ref. | Part No. | Serial Number | Description | Qty. |
|-------------|-----------------|----------------------|--|-------------|
| 1 | 1231160 | (00000000– |) Fitting, Plstc, Str, Qf06/Pm06 | 1 |
| 2 | 9014148 | (00000000– |) Hose, Afmkt, Nat, 0.25Id 0.375Od, 06Ft | 1 |
| 3 | 1212875 | (00000000– |) Fitting, Plstc, Tee, Qf06/Qf08/Qf08 | 1 |
| 4 | 1212809 | (00000000– |) Fitting, Plstc, E90, Qf08/Qm08 | 1 |
| 5 | 9014145 | (00000000– |) Hose, Afmkt, Pe, .375Id .50Od, 05Ft | 1 |
| 6 | 49263 | (00000000– |) Tie, Cable, Nyl, 11.4l .19w 3.0 Max D | 3 |
| 7 | 1215186 | (00000000– |) Fitting, Plstc, E90, Qf06/Qm06 | 1 |
| 8 | 1212875 | (00000000– |) Fitting, Plstc, Tee, Qf06/Qf08/Qf08 | 1 |
| 9 | 1227552 | (00000000– |) Fitting, Plstc, Str, Qm08/Pm06 | 1 |

Fig. 3 - ES Detergent Metering / Severe Environment Group

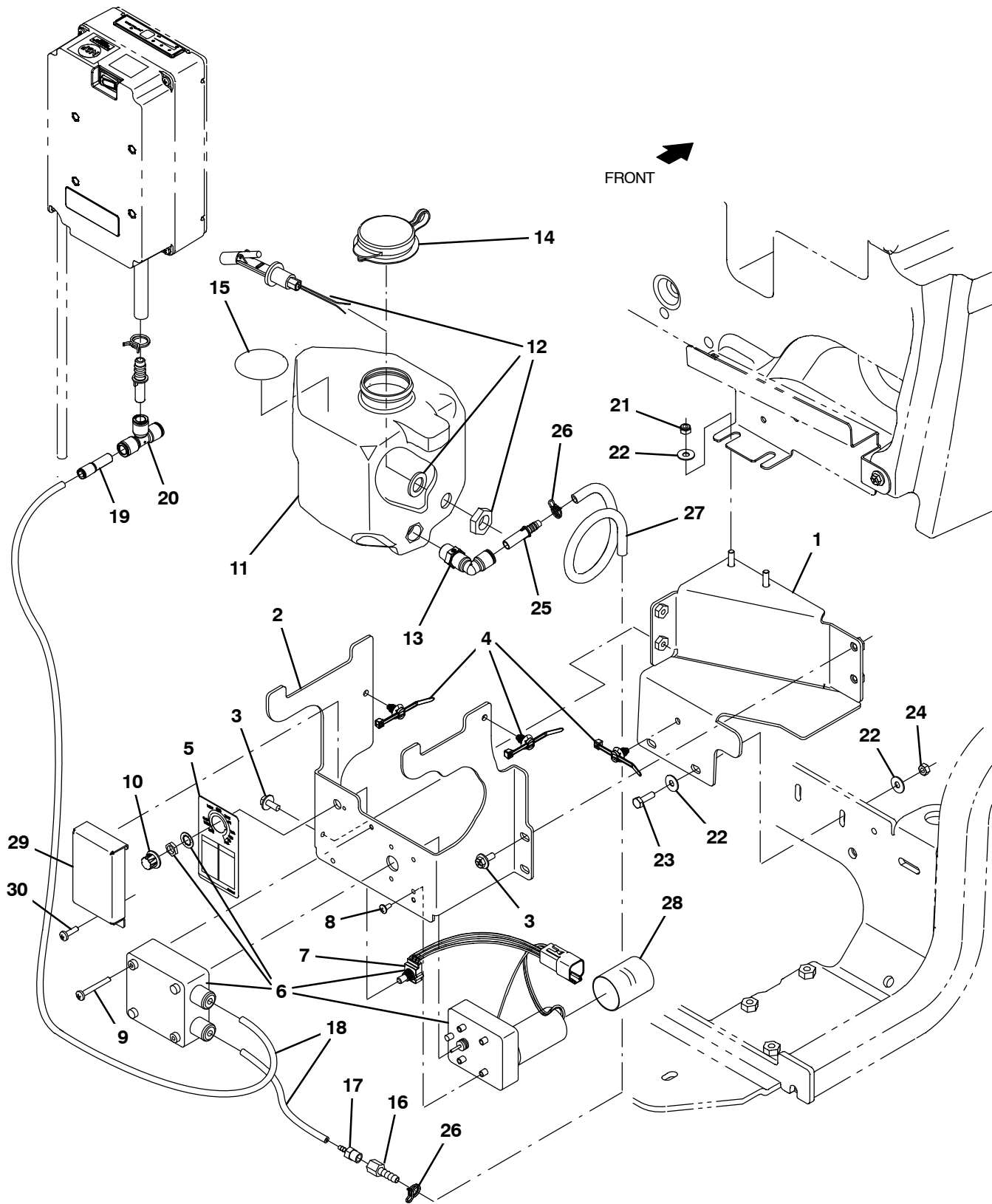


Fig. 3 – ES Detergent Metering / Severe Environment Group

| Ref. | Part No. | Serial Number | Description | Qty. | |
|------|----------|---------------|--|--|---|
| 1 | 1230864 | (00000000- |) Bracket Wldt, Sevr Env | 1 | |
| 2 | 1230470 | (00000000- |) Bracket, Sevr Env | 1 | |
| 3 | 1034731 | (00000000- |) Screw, Hex, M6 X 1.00 X 16, Sems, Ss | 4 | |
| 4 | 1210807 | (00000000- |) Wire, Tie [W/.25" Fir Tree Clip] | 3 | |
| 5 | 1210440 | (00000000- |) Label, Opertnl, Detergent Metering | 1 | |
| ▽ | 6 | 1215698 | (00000000- |) Pump Assy, Detgt, 24 Vdc [T300] | 1 |
| ▲ | | 1208721 | (00000000- |) Pump, Detgt, 24vdc, 120 rpm | 1 |
| ▲ | | 1219077 | (00000000- |) Hose Kit, Detge [0.5cc] | 1 |
| ▲ | 7 | 1211775 | (00000000- |) Potentiometer [5k, W/Leads and Conn.] | 1 |
| 8 | 609980 | (00000000- |) Screw, Trs, Phl, 08-32 X 0.38, Sems | 4 | |
| 9 | 17185 | (00000000- |) Screw, Pan, Phl, M5 X 0.80 X 40, Ss | 2 | |
| 10 | 630265 | (00000000- |) Knob, Rnd, 0.75d 0.50l 0.25b, Plstc | 1 | |
| 11 | 1217453 | (00000000- |) Tank [2.5 Liter] | 1 | |
| 12 | 1212430 | (00000000- |) Sensor, Level, Liq, 30watt, Spst | 1 | |
| 13 | 1212812 | (00000000- |) Fitting, Plstc, E90, Qf06/Pm06, Swivel | 1 | |
| 14 | 1057372 | (00000000- |) Cap, Snap, 2.17d | 1 | |
| 15 | 1224989 | (00000000- |) Label, Detergent Metering Tank | 1 | |
| 16 | 150520 | (00000000- |) Fitting, Brs, Str, Bm04/Pf02 | 1 | |
| 17 | 150524 | (00000000- |) Fitting, Brs, Str, Bm02/Pm02 | 1 | |
| 18 | 1235746 | (00000000- |) Hose, Afmkt, Pvc, Clr 0.12ld 03Ft | 1 | |
| 19 | 1212934 | (00000000- |) Fitting, Plstc, Str, Qf04/Qm06 | 1 | |
| 20 | 1212573 | (00000000- |) Fitting, Plstc, Tee, Qf06/Qf06/Qf06 | 1 | |
| 21 | 08712 | (00000000- |) Nut, Hex, Lock, M6 X 1.00, NI, Ss | 2 | |
| 22 | 01684 | (00000000- |) Washer, Flat, 0.27b 0.69d .05, Ss | 6 | |
| 23 | 12277 | (00000000- |) Screw, Hex, M6 X 1.00 X 20, NI, Ss | 2 | |
| 24 | 07785 | (00000000- |) Nut, Hex, Std, M6 X 1.00, Ss | 2 | |
| 25 | 1212857 | (00000000- |) Fitting, Plstc, Str, Qm06/Bm04 | 1 | |
| 26 | 613735 | (00000000- |) Clamp, hose, Wir, .40- .42, Yel | 2 | |
| 27 | 1014986 | (00000000- |) Hose, Afmkt, Pvc, Clr, 0.25id, 02ft | 1 | |
| 28 | 605064 | (00000000- |) Cap, Vinyl, 1.38 D 1.6L | 1 | |
| ▽ | | 9017884 | (00000000- |) Lockout Kit, Severe Environment, CI | 1 |
| ▲ | 29 | 1239732 | (00000000- |) Cover, Knob, Severe Environment | 1 |
| ▲ | 30 | 140350 | (00000000- |) Screw, Pan, Phl, 10-16 X 0.50, Ss[Typ25] | 1 |

▽ Assembly

▲ Included In Assembly

Fig. 4 - Telemetry Group (S/N 0000000-11013677)

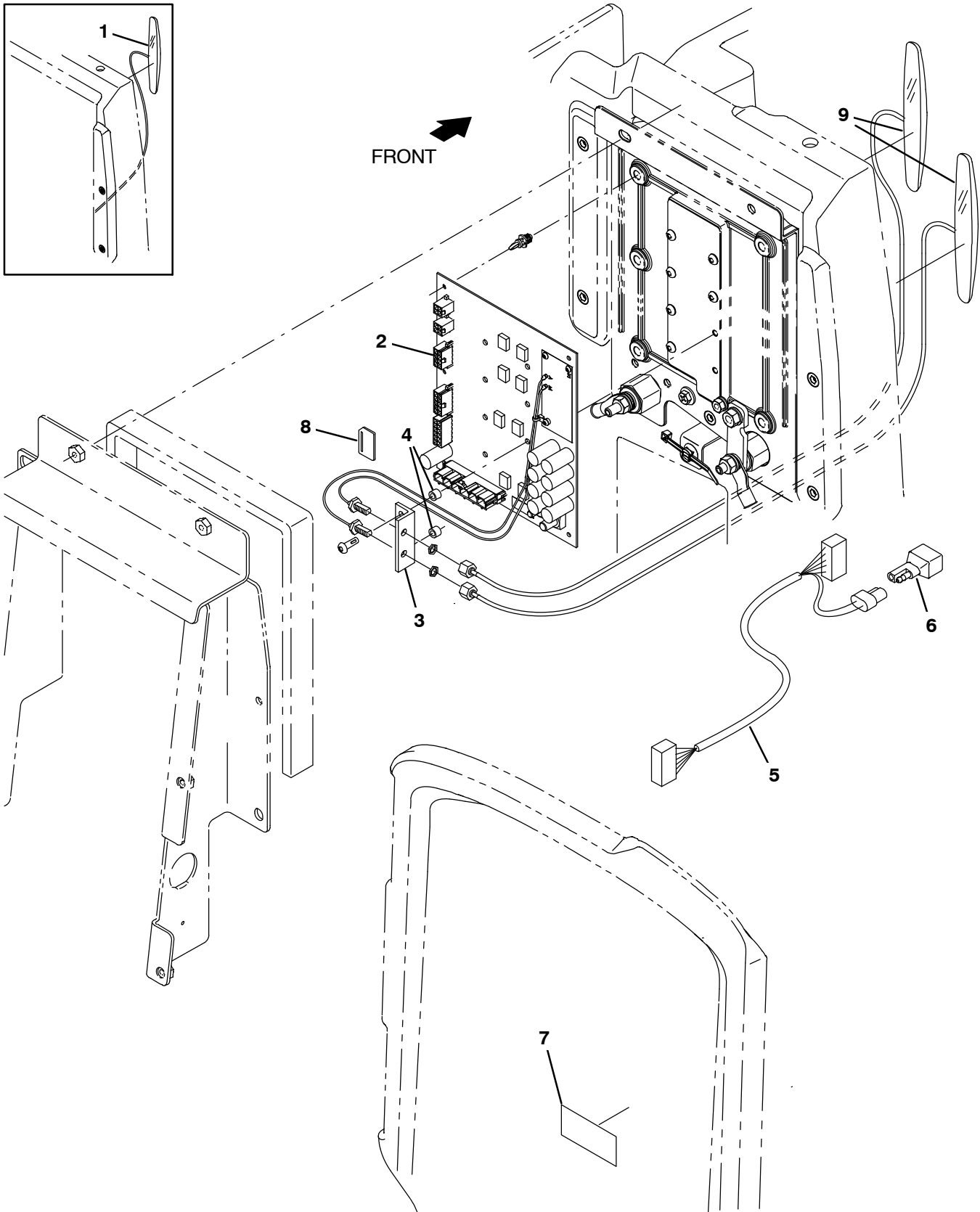


Fig. 4 – Telemetry Group (S/N 00000000–11013677)

| Ref. | Part No. | Serial Number | Description | Qty. |
|------|----------|----------------------|--------------------------------------|------|
| 1 | 315724 | (00000000–10974102) | Antenna, Telem, 18.0 In [Gprs] | 1 |
| 2 | 9021347* | (00000000–11013677) | Board Kit, Scb, Membrane, Telem, Ci | 1 |
| 2 | 9021350* | (00000000–11013677) | Board Kit, Scb, Pro–Panel, Telem, Ci | 1 |
| 3 | 1227812 | (00000000–11013677) | Bracket, Sma Connector | 1 |
| 4 | 1227815 | (00000000–11013677) | Spacer, Unthreaded, Aluminium | 2 |
| 5 | 1075195 | (00000000–11013677) | Harness, Ele, Adaptor [T300, Amii] | 1 |
| 6 | 222290 | (00000000–11013677) | Diode, Ele, Plug | 1 |
| 7 | 1069580 | (00000000–11013677) | Label, Mach, Telem [Usa, Intl] | 1 |
| 8 | 9040082 | (00000000–11013677) | Telem Kit, Ci [Sim, US] | 1 |
| 8 | 9040083 | (00000000–11013677) | Telem Kit, Ci [Sim, Intl] | 1 |
| 9 | 1247569 | (10974103–11013677) | Antenna, Telem [4g, 36"] | 2 |

* Requires Tennant *True* service or an authorized Tennant service provider.

Fig. 5 – Telemetry Group, Membrane Panel (S/N 11013678 –)

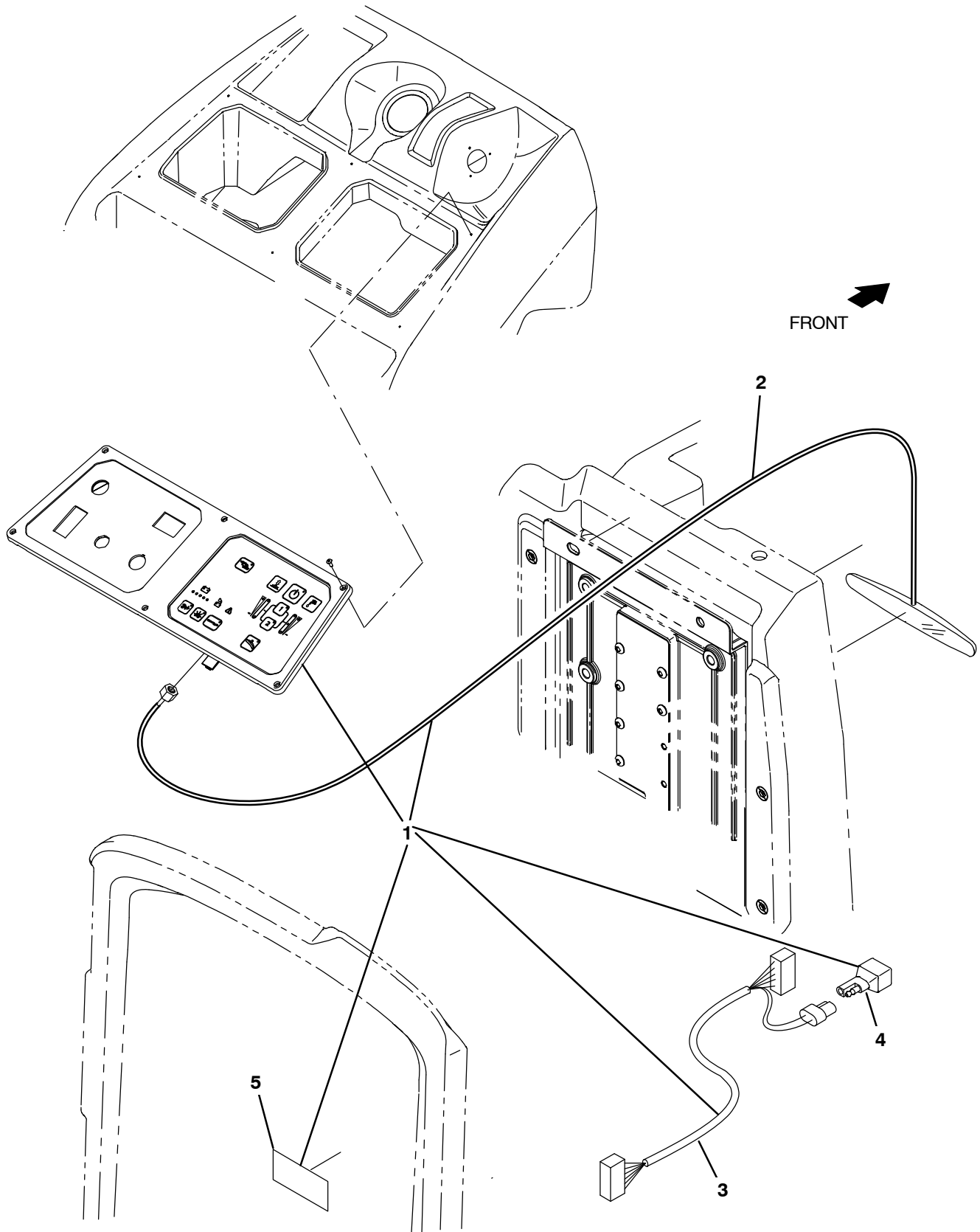


Fig. 5 – Telemetry Group, Membrane Panel (S/N 11013678 –)

| | Ref. | Part No. | Serial Number | Description | Qty. |
|---|-------------|-----------------|----------------------|--------------------------------------|-------------|
| ∇ | 1 | 9021346 | (11013678– |) Control Kit, Membrane, Telem, Ci | 1 |
| ▲ | 2 | 1247569 | (11013678– |) Antenna, Telem [4g, 36"] | 1 |
| ▲ | 3 | 1075195 | (11013678– |) Harness, Ele, Adaptor [T300, Amii] | 1 |
| ▲ | 4 | 222290 | (11013678– |) Diode, Ele, Plug | 1 |
| ▲ | 5 | 1252880 | (11013678– |) Label, Mach, Telem [BG96] | 1 |

Fig. 6 – Telemetry Group, Pro-Panel (S/N 11013678 –)

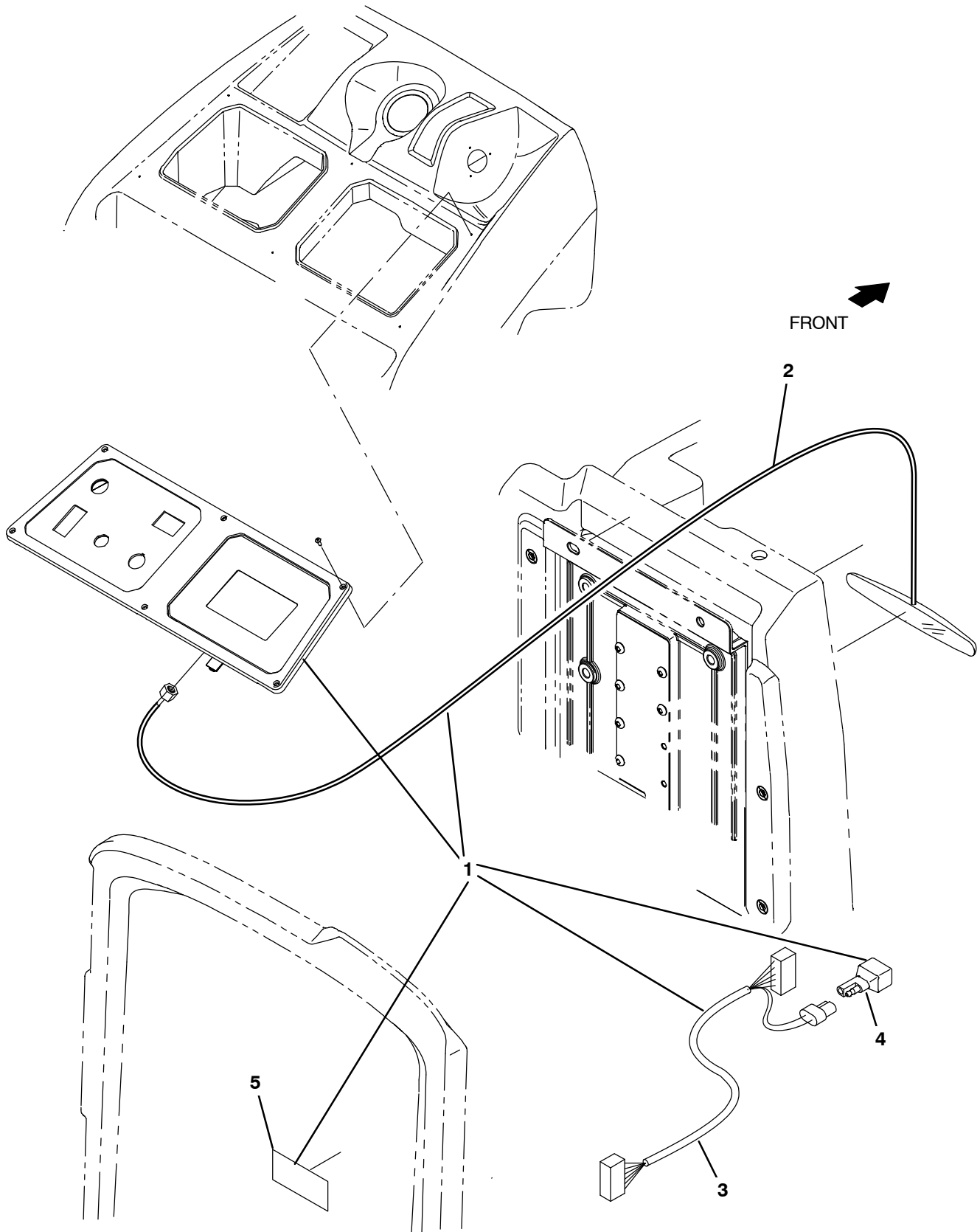


Fig. 6 – Telemetry Group, Pro–Panel (S/N 11013678 –)

| | Ref. | Part No. | Serial Number | Description | Qty. |
|---|-------------|-----------------|----------------------|------------------------------------|-------------|
| ∇ | 1 | 9021349 | (11013678–) | Control Kit, Pro–Panel, Telem, Ci | 1 |
| ▲ | 2 | 1247569 | (11013678–) | Antenna, Telem [4g, 36"] | 1 |
| ▲ | 3 | 1075195 | (11013678–) | Harness, Ele, Adaptor [T300, Amii] | 1 |
| ▲ | 4 | 222290 | (11013678–) | Diode, Ele, Plug | 1 |
| ▲ | 5 | 1252880 | (11013678–) | Label, Mach, Telem [BG96] | 1 |

* Requires Tennant *True* service or an authorized Tennant service provider.

Fig. 7 – Battery Group, 210AH, C20

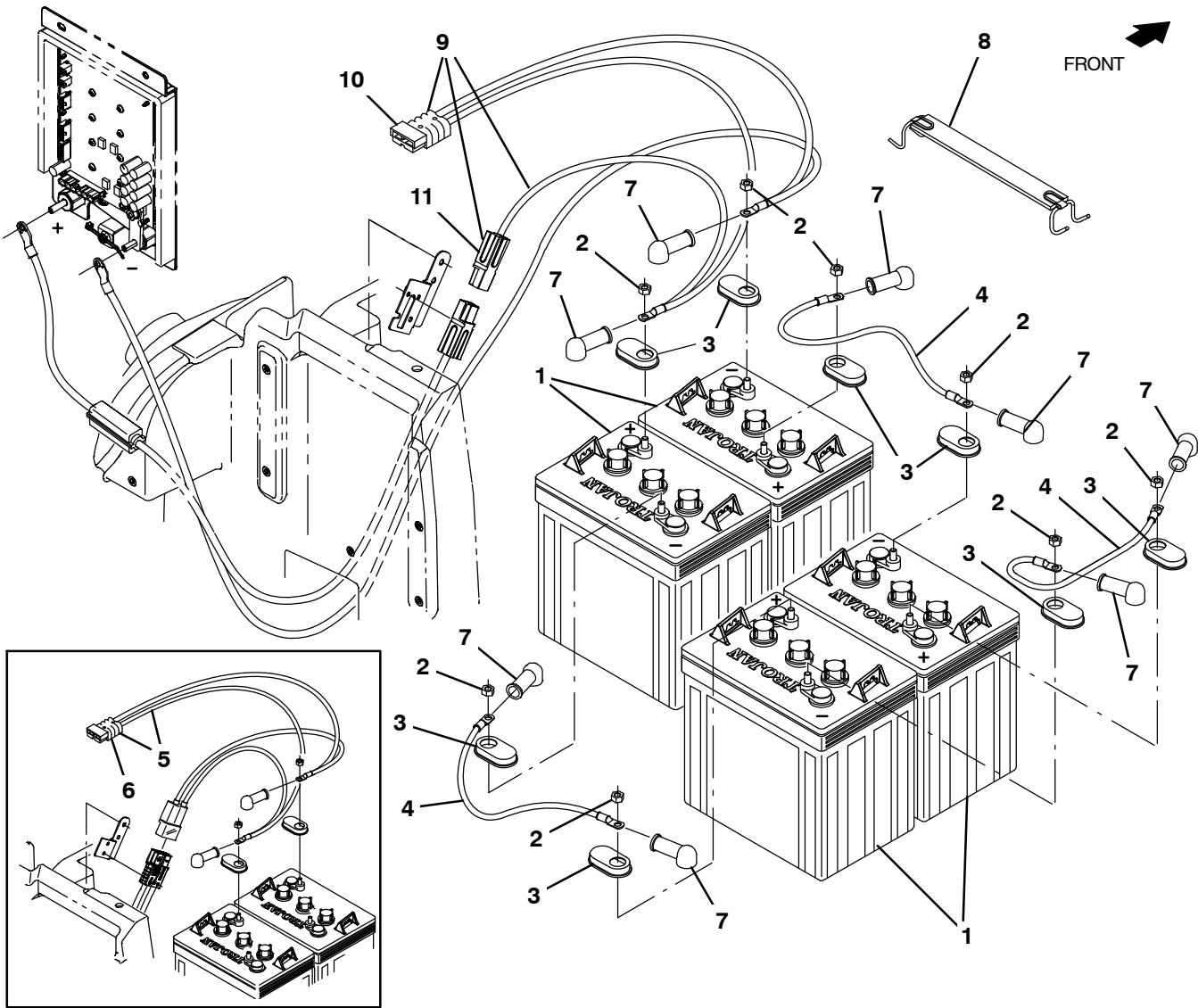


Fig. 7 – Battery Group, 210AH, C20

| Ref. | Part No. | Serial Number | Description | Qty. | |
|-------------|-----------------|----------------------|---|--|---|
| 1 | 1227180 | (00000000– |) Battery, Wet, 6vdc, 210ah, C/20, W/Ca | 4 | |
| 2 | 87435 | (00000000– |) Nut, Hex, Flexlock, .31–18 | 8 | |
| 3 | 1041030 | (00000000– |) Cap, Battery, Black [For 155ah] | 8 | |
| 4 | 1073680 | (00000000– |) Cable, 04ga 15.0l Blk [M8 Ring/M8 Ring] | 3 | |
| ∇ | 5 | 1075576 | (00000000–10897476) Cable, Battery, 4ga [M8 Ring/M8 Ring] (Replaced by 9018173) | 1 | |
| ▲ | 6 | 605387 | (00000000–10897476) Connector, Anderson, 050A, Red [W/o Con] | 1 | |
| | 7 | 611221 | (00000000– |) Boot, Terminal, Battery, 25.4mm, Blk | 8 |
| | 8 | 1232290 | (00000000– |) Strap, Lift, Battery [Trojan] | 1 |
| ∇ | 9 | 1076391 | (10897477– |) Cable, Battery, 4Ga [M8 RingM8 Ring] | 1 |
| ▲ | 10 | 605387 | (10897477– |) Connector, Anderson, 050A, Red [W/o Con] | 1 |
| ▲ | 11 | 1020446 | (10897477– |) Connector, Anderson, 1321 Series | 1 |

∇ Assembly

▲ Included In Assembly

Fig. 8 – Battery Group, 240AH, C20

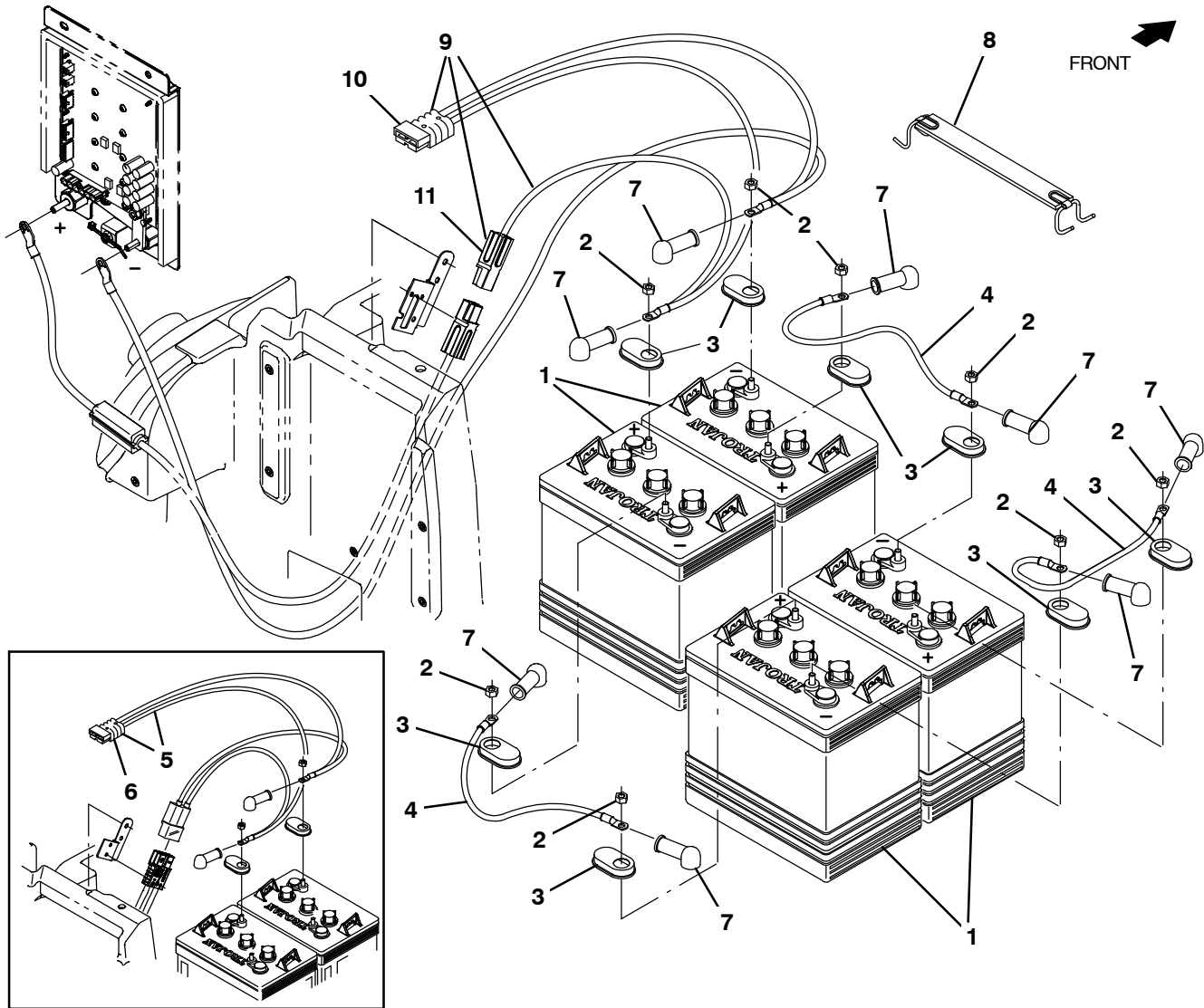


Fig. 8 – Battery Group, 240AH, C20

| Ref. | Part No. | Serial Number | Description | Qty. | |
|-------------|-----------------|----------------------|---|--|---|
| 1 | 222280 | (00000000– |) Battery, Wet, 06vdc 0240ah | 4 | |
| 2 | 87435 | (00000000– |) Nut, Hex, Flexlock, .31–18 | 8 | |
| 3 | 1041030 | (00000000– |) Cap, Battery, Black [For 155ah] | 8 | |
| 4 | 1073680 | (00000000– |) Cable, 04ga 15.0l Blk [M8 Ring/M8 Ring] | 3 | |
| ▽ | 5 | 1075576 | (00000000–10897476) Cable, Battery, 4ga [M8 Ring/M8 Ring] (Replaced by 9018173) | 1 | |
| ▲ | 6 | 605387 | (00000000–10897476) Connector, Anderson, 050A, Red [W/o Con] | 1 | |
| | 7 | 611221 | (00000000– |) Boot, Terminal, Battery, 25.4mm, Blk | 8 |
| | 8 | 1232290 | (00000000– |) Strap, Lift, Battery [Trojan] | 1 |
| ▽ | 9 | 1076391 | (10897477– |) Cable, Battery, 4Ga [M8 RingM8 Ring] | 1 |
| ▲ | 10 | 605387 | (10897477– |) Connector, Anderson, 050A, Red [W/o Con] | 1 |
| ▲ | 11 | 1020446 | (10897477– |) Connector, Anderson, 1321 Series | 1 |

▽ Assembly

▲ Included In Assembly

Fig. 9 – Battery Group, 210AH, C20

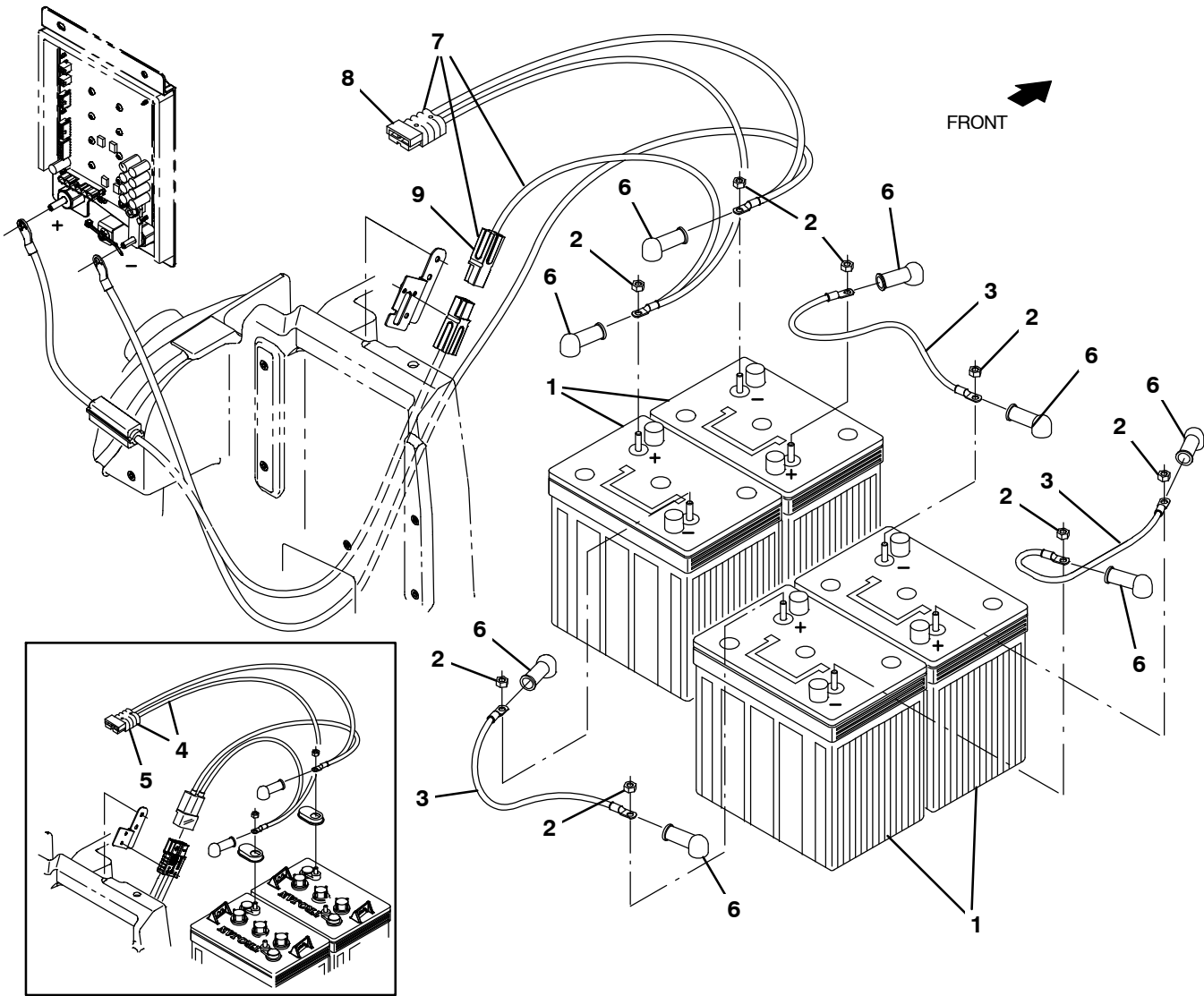


Fig. 9 – Battery Group, 210AH, C20

| Ref. | Part No. | Serial Number | Description | Qty. |
|------|----------|--------------------|--|------|
| 1 | 1262245 | (00000000– |) Battery, Agm, 06vdc 0210ah | 4 |
| 2 | 87435 | (00000000– |) Nut, Hex, Flexlock, .31–18 | 8 |
| 3 | 1073680 | (00000000– |) Cable, 04ga 15.0l Blk [M8 Ring/M8 Ring] | 3 |
| ∇ 4 | 1075576 | (00000000–10897476 |) Cable, Battery, 4ga [M8 Ring/M8 Ring] (Replaced by 9018173) | 1 |
| ▲ 5 | 605387 | (00000000–10897476 |) Connector, Anderson, 050A, Red [W/o Con] | 1 |
| 6 | 611221 | (00000000– |) Boot, Terminal, Battery, 25.4mm, Blk | 8 |
| ∇ 7 | 1076391 | (10897477– |) Cable, Battery, 4Ga [M8 RingM8 Ring] | 1 |
| ▲ 8 | 605387 | (10897477– |) Connector, Anderson, 050A, Red [W/o Con] | 1 |
| ▲ 9 | 1020446 | (10897477– |) Connector, Anderson, 1321 Series | 1 |

∇ Assembly

▲ Included In Assembly

Fig. 10 – Hydrolink® Battery Watering System

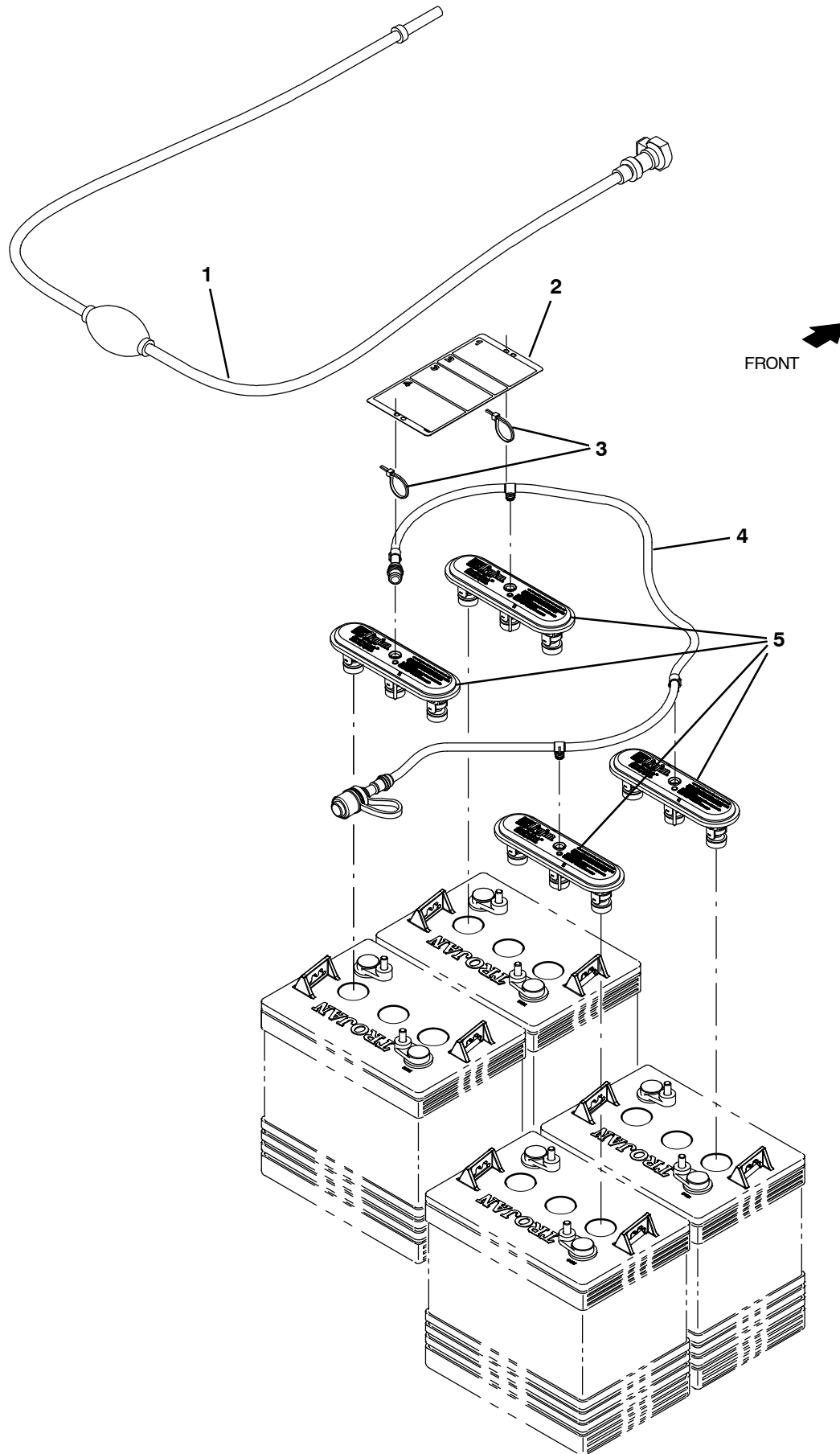


Fig. 10 – Hydrolink® Battery Watering System

| | Ref. | Part No. | Serial Number | Description | Qty. |
|---|-------------|-----------------|----------------------|--|-------------|
| ▽ | | 9016768 | (00000000– |) Pump Kit, Bat, 24Vdc, Ci [Man, Trojan] | 1 |
| ▲ | 1 | 1058939 | (00000000– |) Pump Kit, Fill, Hand, Battery | 1 |
| ▲ | 2 | 1071084 | (00000000– |) Label, Tag, Battery [Hydrolink Watering] | 1 |
| ▲ | 3 | 130773 | (00000000– |) Tie, Cable, Nyl, 11.0l, .14w, 3.0 Max. D | 2 |
| ▲ | 4 | 1225718 | (00000000– |) Tube, Water, Battery, 24vdc [Trojan] | 1 |
| ▲ | 5 | 1204142 | (00000000– |) Cap, Vent, Battery [Trojan Hydrolink] | 4 |

▽ Assembly

▲ Included In Assembly

Fig. 11 – Smart-Fill Automatic Battery Watering System

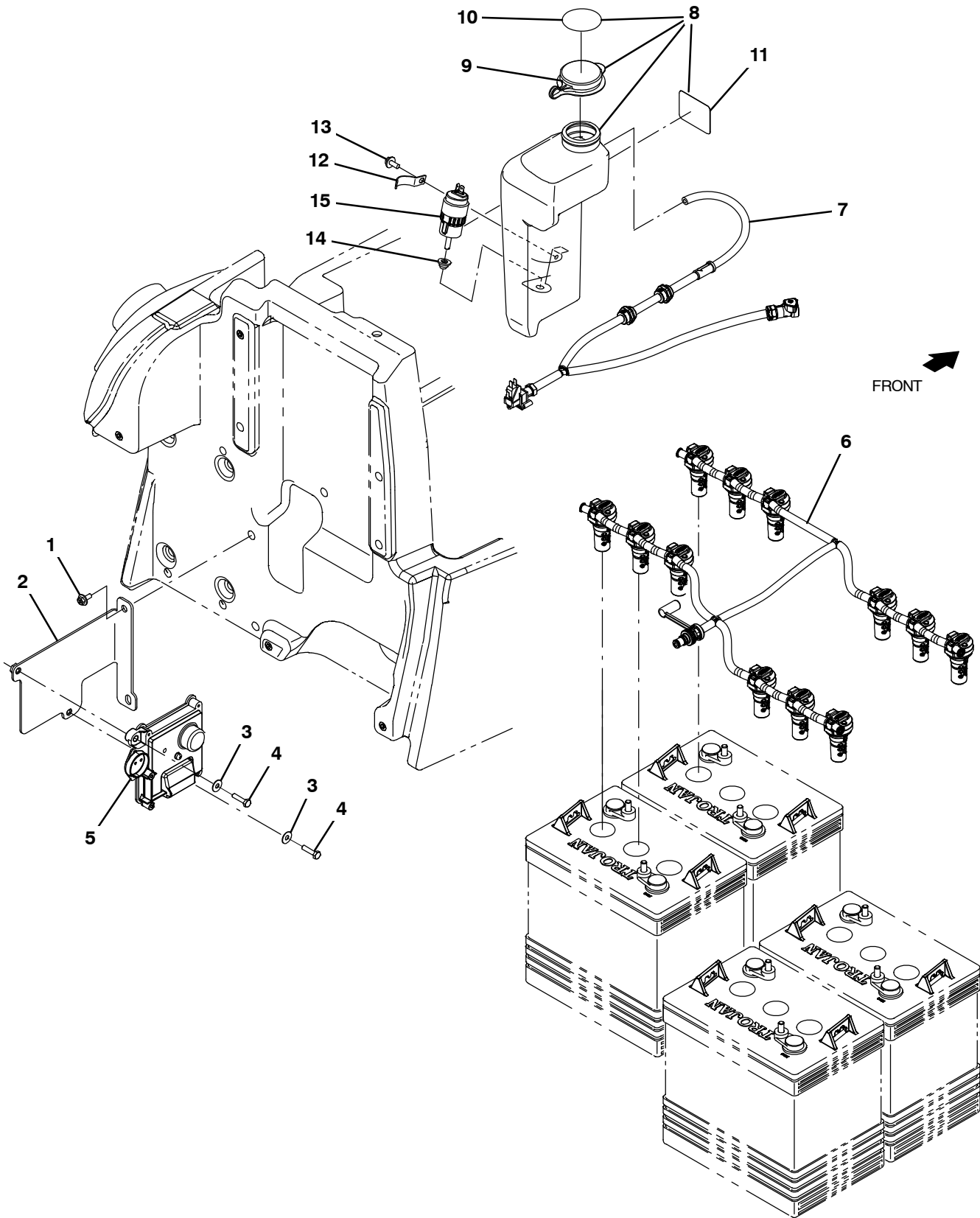


Fig. 11 – Smart-Fill Automatic Battery Watering System

| Ref. | Part No. | Serial Number | Description | Qty. | |
|------|----------|---------------|--|---|---|
| 1 | 1034731 | (00000000– |) Screw, Hex, M6 X 1.00 X 16, Sems, Ss | 2 | |
| 2 | 1226589 | (00000000– |) Bracket Wldt, Fill, Auto, Battery | 1 | |
| 3 | 01684 | (00000000– |) Washer, Flat, 0.27b 0.69d .05, Ss | 2 | |
| 4 | 1016005 | (00000000– |) Screw, Hex, M6 X 1.00 X 25, NI, FI, Ss | 2 | |
| 5 | 9016770* | (00000000– |) Controller Kit, Battery, 24Vdc, Ci{Abw] | 1 | |
| 6 | 9021081 | (00000000– |) Distribution Kit, Water, 4 Btry [Trojan] | | |
| 7 | 9018989 | (00000000– |) Delivery Kit, Water, Battery | | |
| ∇ | 9016771 | (00000000– |) Tank Kit, Battery Fill, Ci [W/ Pump] | 1 | |
| ▲∇ | 8 | 9016772 | (00000000– |) Tank Kit, Battery Fill, Ci [W/O Pump] | 1 |
| ▲▲ | 9 | 1224600 | (00000000– |) Cap, Snap, 2.17d [Blue] | 1 |
| ▲▲ | 10 | 1224988 | (00000000– |) Label, Automated Battery Watering | 1 |
| ▲▲ | 11 | 1233633 | (00000000– |) Label, Detgt [Do Not Add] | 1 |
| ▲ | 12 | 1231727 | (00000000– |) Strap, Mtg, Pump | 1 |
| ▲ | 13 | 1034731 | (00000000– |) Screw, Hex, M6 X 1.00 X 16, Sems, Ss | 1 |
| ▲ | 14 | 1231338 | (00000000– |) Grommet, Pump | 1 |
| ▲ | 15 | 1231018 | (00000000– |) Pump, In-Tank, 13.5vdc 3.5lpm | 1 |

* Requires Tennant *True* service or an authorized Tennant service provider.

∇ Assembly

▲ Included In Assembly

Fig. 12 – Manual Battery Watering System

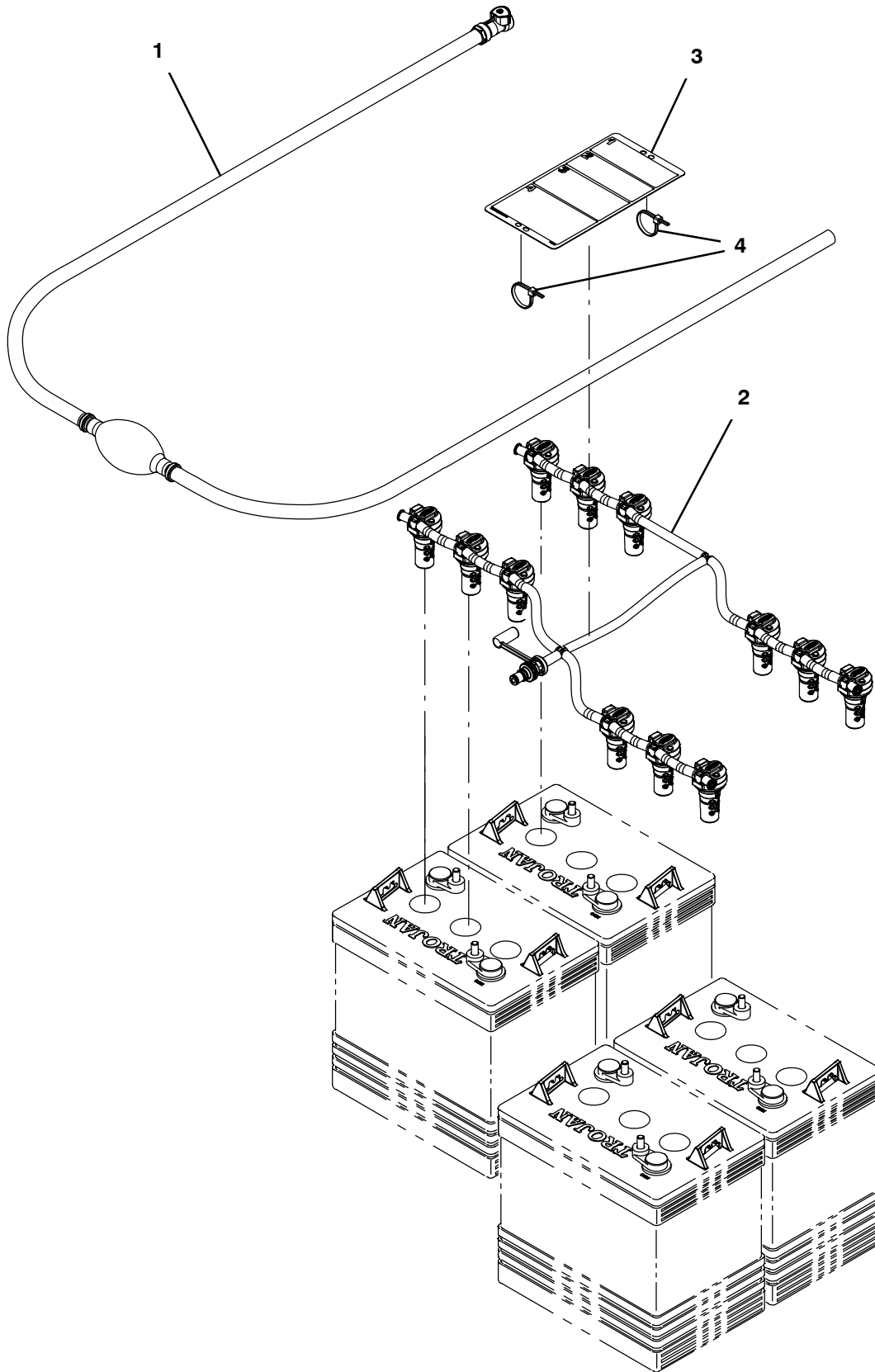


Fig. 11 – Manual Battery Watering System

| | Ref. | Part No. | Serial Number | Description | Qty. |
|---|-------------|-----------------|----------------------|--|-------------|
| ▽ | | 9021123 | (00000000- |) Fill Kit, Battery, Manual, Ci [Trojan] | 1 |
| ▲ | 1 | 1236295 | (00000000- |) Pump, Hand, Battery | 1 |
| ▲ | 2 | 1253640 | (00000000- |) Distribution Assy, Water, Battery | 1 |
| ▲ | 3 | 1253250 | (00000000- |) Label, Tag, Battery [Bwt Watering] | 1 |
| ▲ | 4 | 130773 | (00000000- |) Tie, Cable, Nyl, 11.0l, .14w, 3.0 Max. D | 2 |

Fig. 13 – On-Board Charger Group

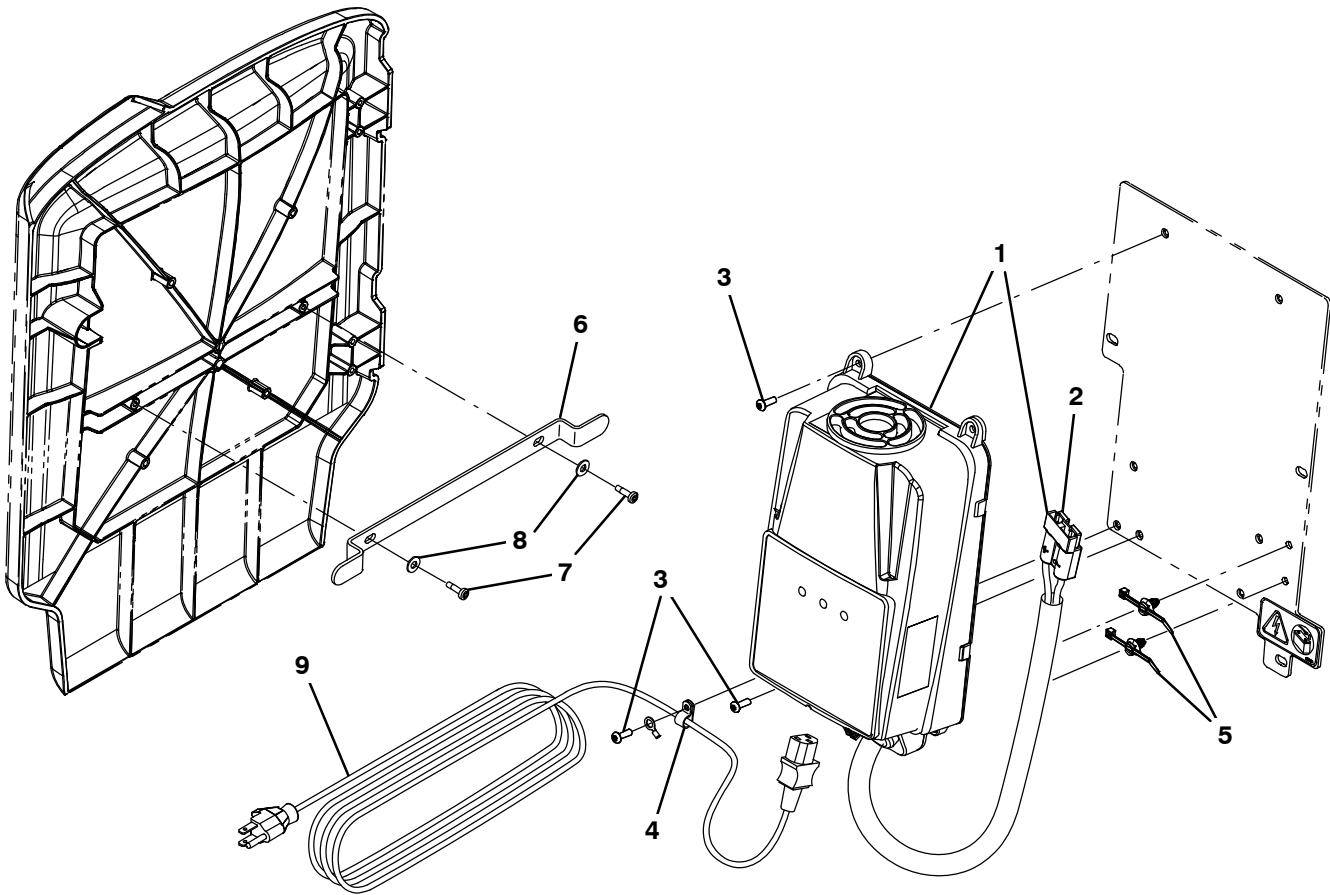


Fig. 13 – On-Board Charger Group

| | Ref. | Part No. | Serial Number | Description | Qty. |
|---|------|----------|---------------|--|------|
| ∇ | 1 | 1250046* | (00000000- |) Charger, 24vdc 25a 115-240vac [On-Board] | 1 |
| ▲ | 2 | 605387 | (00000000- |) Connector, Anderson, 050a, Red [W/O Con] | 1 |
| | 3 | 1205799 | (00000000- |) Screw, Btn, M5 X 0.8 X 16, 8.8, NI, Torx | 5 |
| | 4 | 26395-2 | (00000000- |) Clamp, Cable, Stl, 0.38d X 0.38w, 1hole | 1 |
| | 5 | 1210807 | (00000000- |) Wire, Tie [W/.25" Fir Tree Clip] | 2 |
| | 6 | 1049610 | (00000000- |) Hook, Cord | 1 |
| | 7 | 1043573 | (00000000- |) Screw, #10-14 X 0.675, Spl[Shcs,Selftap] | 2 |
| | 8 | 19066 | (00000000- |) Washer, Flat, 0.25b 0.56d .05, Pl, 10 | 2 |
| | 9 | 1025642 | (00000000- |) Cord, Power, 16/3, 15ft Blk [Us] | 1 |

* Requires Tennant *True* service or an authorized Tennant service provider.

∇ Assembly

▲ Included In Assembly

Fig. 14 - Off-Board Charger Group

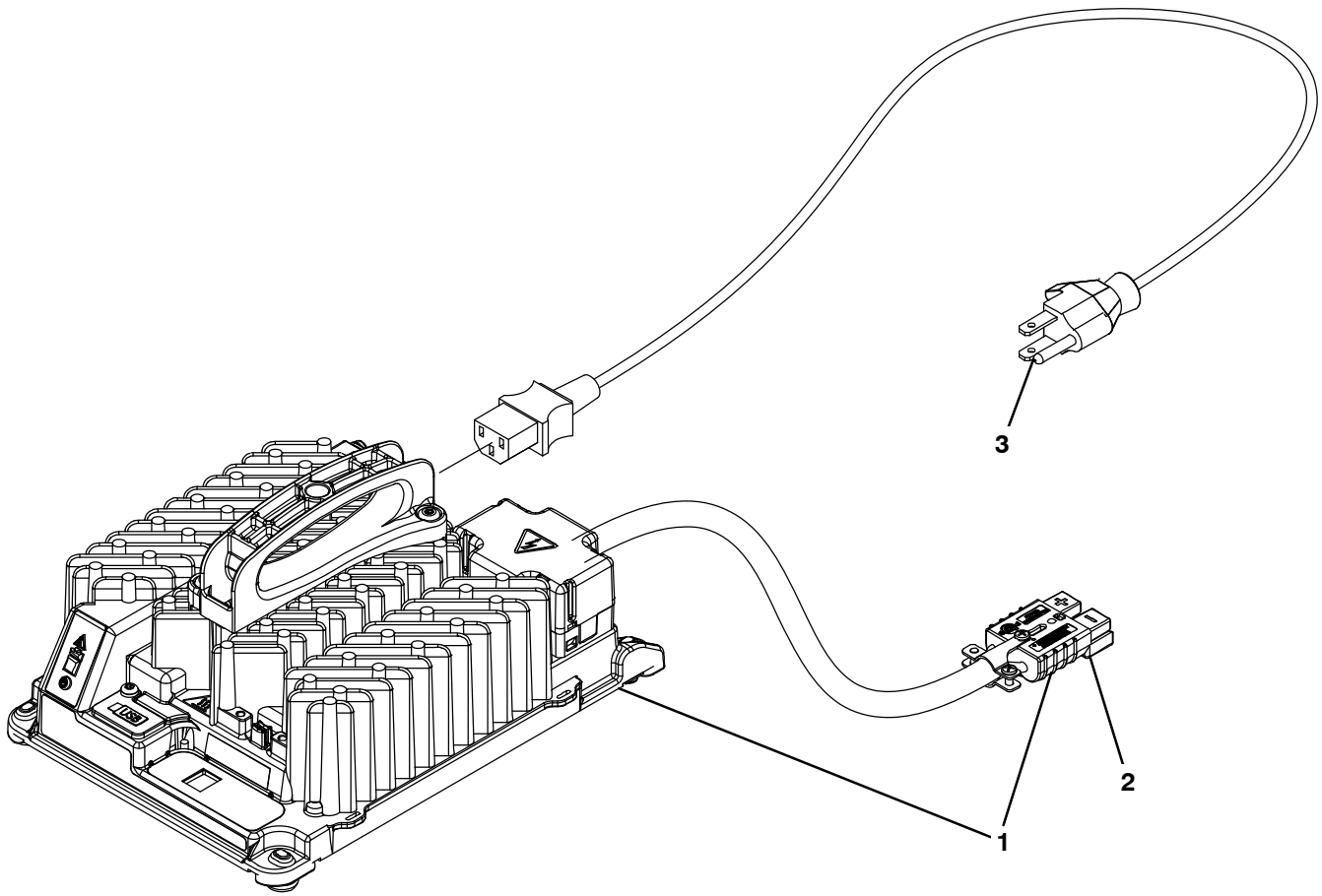


Fig. 14 – Off-Board Charger Group

| | Ref. | Part No. | Serial Number | Description | Qty. |
|---|-------------|-----------------|----------------------|--|-------------|
| ∇ | 1 | 1257204 | (00000000– |) Charger, 24VDC, 650W, 100–240Vac [Off Board] | 1 |
| ▲ | 2 | 605387 | (00000000– |) Connector, Anderson, 050a, Red [W/O Con] | 1 |
| | 3 | 1025642 | (00000000– |) Cord, Power, 16/3, 15ft Blk [Us] | 1 |

∇ Assembly

▲ Included In Assembly

Fig. 15 – Documentation Group

| Ref. | Part No. | Serial Number | Description | Qty. |
|-------------|-----------------|----------------------|---------------------------|-------------|
| 9016423 | (00000000- |) | Manual, Parts [Ss350] | 1 |
| 9016424 | (00000000- |) | Manual, Oprtr [Ss350, En] | 1 |
| 9016425 | (00000000- |) | Manual, Oprtr [Ss350, Es] | 1 |
| 9016426 | (00000000- |) | Manual, Oprtr [Ss350, Fr] | 1 |
| 9016427 | (00000000- |) | Instr, Wall Chart [Ss350] | 1 |
| 9016428 | (00000000- |) | Manual, Service [Ss350] | 1 |



To view, print, or download the latest Parts manual, other language Operator manuals, and Use and Care Guides (wall charts) visit:

www.nobles.com/manuals

SECTION 4

| Contents | Page |
|---|-------------|
| Fig. 1 – ec-H2O Nanoclean Module Assembly Breakdown, 9011810 | 4-2 |
| Fig. 2 – ec-H2O Nanoclean Module Assembly Breakdown, 9021553 | 4-4 |

Fig. 1 - ec-H2O Nanoclean Module Assembly Breakdown, 9011810

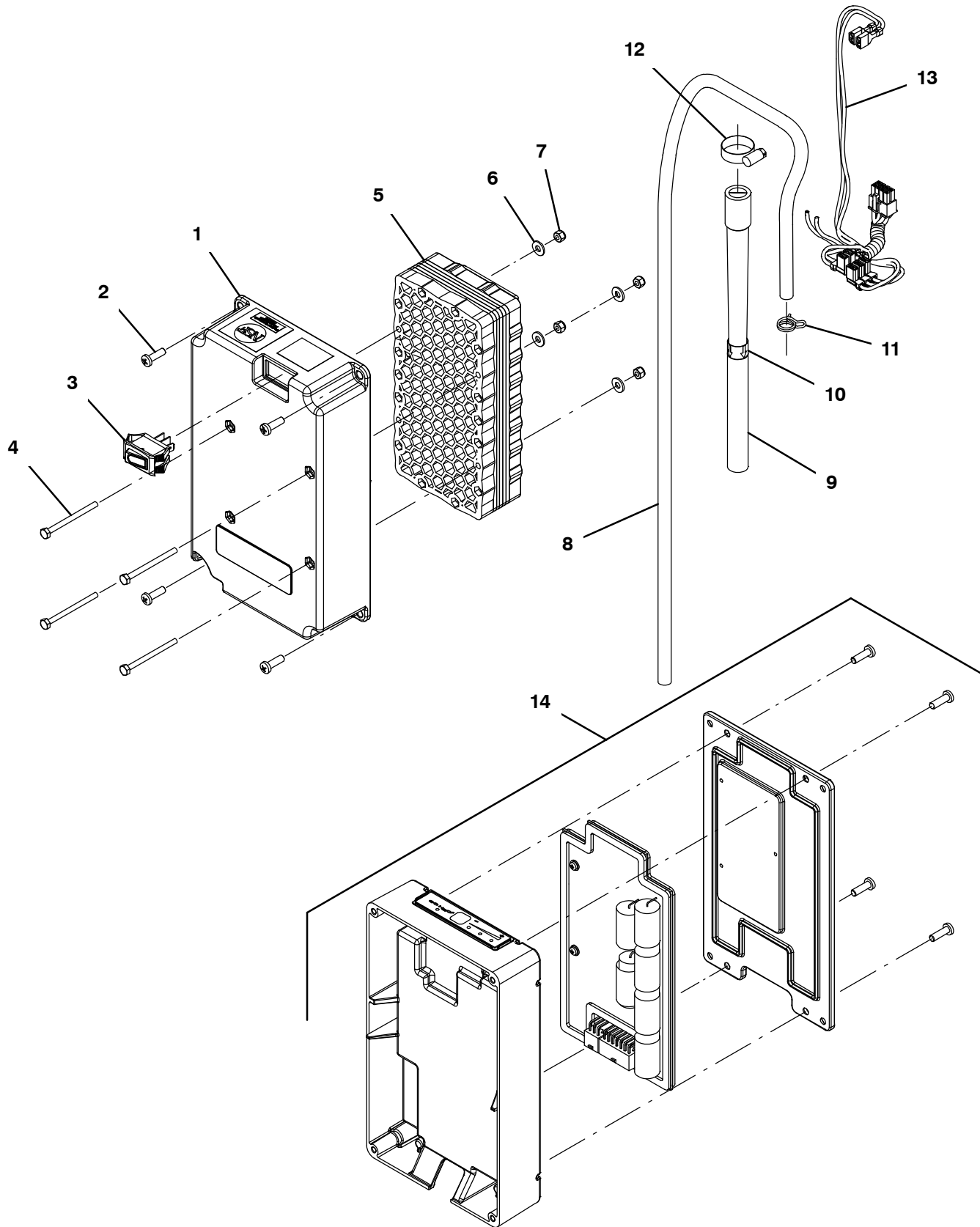


Fig. 1 - ec-H2O Nanoclean Module Assembly Breakdown, 9011810

| Ref. | Part No. | Serial Number | Description | Qty. |
|------|-------------|---------------|--|------|
| ▽ | 9011810 | (00000000- |) Module Kit, Replmt [Ec-H2o, B 02] (Includes ec-H2O NanoClean Cartridge) | 1 |
| ▲▽ | 9014126 | (00000000- |) Ec-H2o Nc Kit [Module B, Plumbing] | 1 |
| ▲▲ | 1 1208823 | (00000000- |) Housing, Module, Upper, Ec-H2o | 1 |
| ▲▲ | 2 1015506 | (00000000- |) Screw, Pan, Phl, M5 X 16, Tcut [Plastic] | 4 |
| ▲▲ | 3 1044393 | (00000000- |) Switch, Rocker, Spst, Mom | 1 |
| ▲▲ | 4 32509 | (00000000- |) Screw, Hex, M4 X 0.70 X 50, Ss | 4 |
| ▲▲ | 5 1235516 | (00000000- |) Electrode, 5 Plate [De Nora Tech] | 1 |
| ▲▲ | 6 41579 | (00000000- |) Washer, Flat, 08, Ss | 4 |
| ▲▲ | 7 33932 | (00000000- |) Nut, Hex, Lock, M4 X 0.70, NI, Ss | 4 |
| ▲▲ | 8 1006415 | (00000000- |) Hose, Afmkt, Pvc, Clr, 0.25id, 03ft | 1 |
| ▲▲ | 9 1208526 | (00000000- |) Hose, Molded, Bm08/Bm06 | 1 |
| ▲▲ | 10 1049637 | (00000000- |) Label, Direction [Ec-H2o] | 1 |
| ▲▲ | 11 613735 | (00000000- |) Clamp, Hose, Wir, .40 - .42, Yel | 1 |
| ▲▲ | 12 54333 | (00000000- |) Clamp, Hose, Wormdrive, 0.31-0.88d, .31w | 1 |
| ▲▲ | 13 1073286 | (00000000- |) Harness, Ele, Module B2 [Ec-H2o] | 1 |
| ▲▽ | 14 9014127* | (00000000- |) Controller Kit, Replmt [Ec-H2o Nc] | 1 |
| ▲▲ | 9013646 | (00000000- |) Cartridge, Ec-H2o Nanoclean Wcm, 270ml | 1 |

* Requires Tennant *True* service or an authorized Tennant service provider.

▽ Assembly

▲ Included in Assembly

Fig. 2 - ec-H2O Nanoclean Module Assembly Breakdown, 9021553

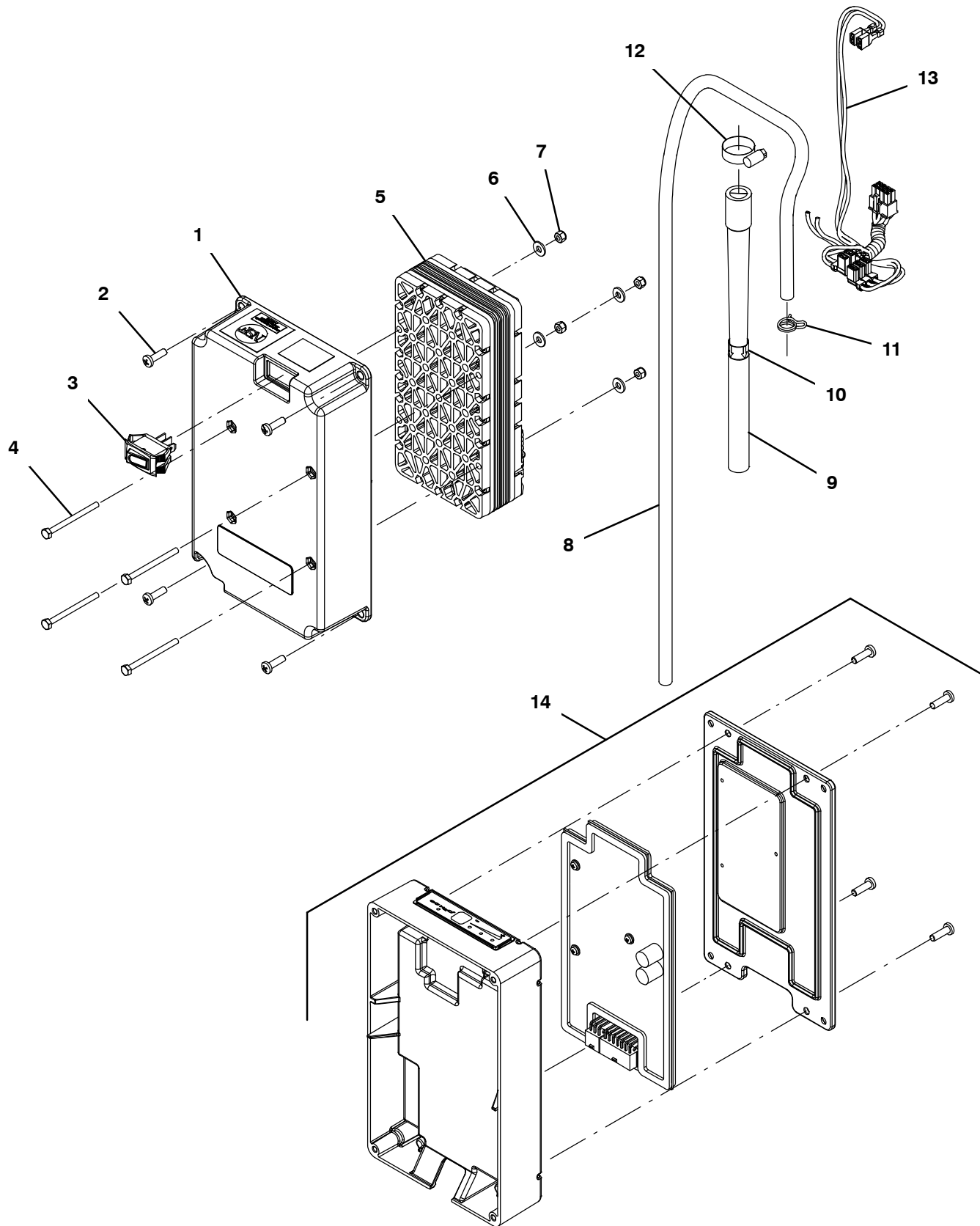


Fig. 2 – ec-H2O Nanoclean Module Assembly Breakdown, 9021553

| Ref. | Part No. | Serial Number | Description | Qty. |
|------|-------------|---------------|--|------|
| ▽ | 9021553 | (00000000– |) Module Kit, Replmt [Ec-H2o, B 02] (Includes ec-H2O NanoClean Cartridge) | 1 |
| ▲▽ | 9014126 | (00000000– |) Ec-H2o Nc Kit [Module B, Plumbing] | 1 |
| ▲▲ | 1 1208823 | (00000000– |) Housing, Module, Upper, Ec-H2o | 1 |
| ▲▲ | 2 1015506 | (00000000– |) Screw, Pan, Phl, M5 X 16, Tcut [Plastic] | 4 |
| ▲▲ | 3 1044393 | (00000000– |) Switch, Rocker, Spst, Mom | 1 |
| ▲▲ | 4 32509 | (00000000– |) Screw, Hex, M4 X 0.70 X 50, Ss | 4 |
| ▲▲ | 5 1235516 | (00000000– |) Electrode, 5 Plate [De Nora Tech] | 1 |
| ▲▲ | 6 41579 | (00000000– |) Washer, Flat, 08, Ss | 4 |
| ▲▲ | 7 33932 | (00000000– |) Nut, Hex, Lock, M4 X 0.70, NI, Ss | 4 |
| ▲▲ | 8 1006415 | (00000000– |) Hose, Afmkt, Pvc, Clr, 0.25id, 03ft | 1 |
| ▲▲ | 9 1208526 | (00000000– |) Hose, Molded, Bm08/Bm06 | 1 |
| ▲▲ | 10 1049637 | (00000000– |) Label, Direction [Ec-H2o] | 1 |
| ▲▲ | 11 613735 | (00000000– |) Clamp, Hose, Wir, .40 – .42, Yel | 1 |
| ▲▲ | 12 54333 | (00000000– |) Clamp, Hose, Wormdrive, 0.31–0.88d, .31w | 1 |
| ▲▲ | 13 1073286 | (00000000– |) Harness, Ele, Module B2 [Ec-H2o] | 1 |
| ▲▽ | 14 9020642* | (00000000– |) Controller Kit, Replmt [Ec-H2o Nc] | 1 |
| ▲▲ | 9013646 | (00000000– |) Cartridge, Ec-H2o Nanoclean Wcm, 270ml | 1 |

* Requires Tennant *True* service or an authorized Tennant service provider.

▽ Assembly

▲ Included in Assembly

