



The Safe Scrubbing Alternative®

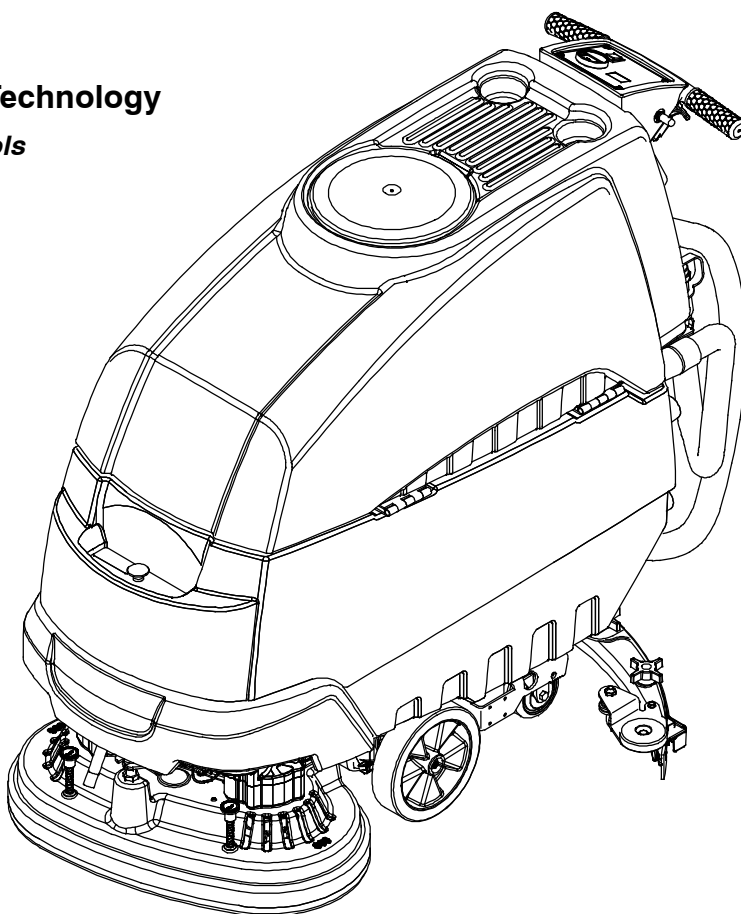
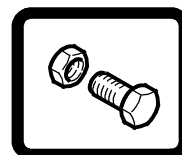


IRIS® a Tennant Technology
Quick-Train™ Controls

SPEED SCRUB®

AUTOMATIC SCRUBBER

PARTS MANUAL

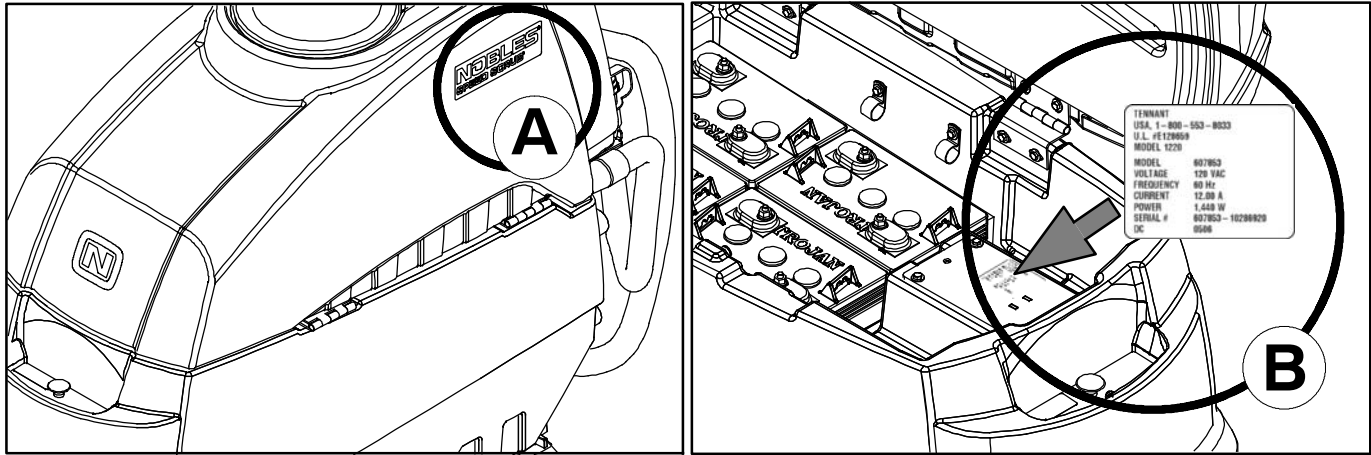


For the latest Parts manuals and other language Operator manuals, visit:

www.nobles.com/manuals

9002373
Rev. 17 (06-2017)





Ref	Part No.	Serial Number	Description	Qty.
1	82681	(000000-)	Bracket Wldt, Lpg Mount	1
▽ 2	63810	(000000-)	Latch Assy, Lpg Tank Mtg, W/Nut	4
▲ 3	51839	(000000-)	Nut Adjustable, Lpg Tank Mtg	2
4	49263	(000000-)	Tie, Cable	3
(D)	82556	(000000- 001039)	Bracket, Vaporizer	1
	54930	(000000-)	Vaporizer, LPG	1

HOW TO ORDER PARTS - See diagram above

Only use TENNANT Company supplied or equivalent parts. Parts and supplies may be ordered online, by phone, by fax or by mail.

Follow the steps below to ensure prompt delivery.

1. **(A)** Identify the machine model.
2. **(B)** Identify the machine serial number from the data label.
3. **(C)** Ensure the proper serial number is used from the parts list.
4. Identify the part number and quantity. Do not order by page or reference numbers.
5. Provide your name, company name, customer ID number, billing and shipping address, phone number and purchase order number.
6. Provide detail shipping instructions.

- (D)** ▽ - identifies an assembly
 ▲ - identifies parts included in assembly

Please fill out at time of installation for future reference.

Model No. - _____

Serial No. - _____

Machine Options - _____

Sales Rep. - _____

Sales Rep. phone no. - _____

Customer ID Number - _____

Installation Date - _____

Tennant Company

PO Box 1452
 Minneapolis, MN 55440
 Phone: (800) 553- 8033

www.nobles.com

FaST-PAK is a US registered and unregistered trademark of Tennant Company.

Specifications and parts are subject to change without notice.

Copyright © 2006- 2017 TENNANT Company, Printed in U.S.A.

STANDARD PARTS

GENERAL RECOMMENDED MAINTENANCE ITEMS 6

CYLINDRICAL 26 in / 650 mm MODEL RECOMMENDED MAINTENANCE ITEMS ... 7

CYLINDRICAL 32 in / 800 mm MODEL RECOMMENDED MAINTENANCE ITEMS ... 7

DISK 24 in / 600 mm MODEL RECOMMENDED MAINTENANCE ITEMS 7

DISK 28 in / 700 mm MODEL RECOMMENDED MAINTENANCE ITEMS 8

DISK 32 in / 800 mm MODEL RECOMMENDED MAINTENANCE ITEMS 8

SQUEEGEE GROUP, 20 in / 500 mm, RECOMMENDED MAINTENANCE ITEMS ... 9

SQUEEGEE GROUP, 24 in / 600 mm, RECOMMENDED MAINTENANCE ITEMS ... 9

SQUEEGEE GROUP, 26 in / 650 mm & 28 in / 700 mm RECOMMENDED MAINTENANCE ITEMS ... 10

SQUEEGEE GROUP, 32 in / 800 mm, RECOMMENDED MAINTENANCE ITEMS ... 10

REPLACEMENT CYLINDRICAL BRUSHES 12

REPLACEMENT BRUSHES AND PAD DRIVERS 14

RECOVERY TANK GROUP 16

VACUUM MOTOR GROUP 18

SOLUTION TANK GROUP 20

CONTROL CONSOLE GROUP 22

COMPONENT PANEL GROUP (S/N 10722199-) 24

COMPONENT PANEL GROUP (S/N 10000000- 10722198) 26

FRAME GROUP 28

SCRUB HEAD GROUP, DISK 24 in / 600 mm ... 30

SCRUB HEAD GROUP, DISK 28 in / 700 mm ... 34

SCRUB HEAD GROUP, DISK 32 in / 800 mm ... 38

SCRUB HEAD GROUP, CYLINDRICAL 26 in / 650 mm 42

SCRUB HEAD GROUP, CYLINDRICAL 32 in / 800 mm 46

SCRUBHEAD LIFT GROUP 50

SOLUTION GROUP, FaST MODEL 52

9008847 FAST INJECTOR ASSEMBLY BREAKDOWN (S/N 10538043-), 600 mm DISK & 650 mm CYLINDRICAL MODELS 56

9003907 FAST INJECTOR ASSEMBLY BREAKDOWN (S/N 10348538- 10538042) 600 mm DISK & 650 mm CYLINDRICAL MODELS 57

9003810 FAST INJECTOR ASSEMBLY BREAKDOWN (S/N 10000000- 10348537) 600 mm DISK & 650 mm CYLINDRICAL MODELS 58

9008887 FAST INJECTOR ASSEMBLY BREAKDOWN (S/N 10582617-), 700 mm / 800 mm DISK & 800 mm CYLINDRICAL MODELS 59

9003908 FAST INJECTOR ASSEMBLY BREAKDOWN (S/N 10347532- 10582616) 700 mm / 800 mm DISK & 800 mm CYLINDRICAL MODELS 60

9003812 FAST INJECTOR ASSEMBLY BREAKDOWN (S/N 10000000- 10347531) 700 mm / 800 mm DISK & 800 mm CYLINDRICAL MODELS 61

SOLUTION GROUP, ec-H2O NANOCLEAN MODEL (S/N 10740996-) 62

ec-H2O NANOCLEAN MODULE BREAKDOWN, 9011810 (S/N 10740996-) 66

SOLUTION GROUP, ec-H2O MODEL (S/N 10000000- 10740995) 68

ec-H2O MODULE ASSEMBLY BREAKDOWN, 9007970 (S/N 10448305- 10740995) 72

ec-H2O MODULE ASSEMBLY BREAKDOWN, 9006161 (S/N 10378380- 10448304) 74

SOLUTION GROUP, STANDARD MODEL 76

SQUEEGEE LIFT GROUP 78

SQUEEGEE GROUP, 20 in / 500 mm 80

SQUEEGEE GROUP, 24 in / 600 mm 82

SQUEEGEE GROUP, 26 in / 650 mm & 28 in / 700 mm 84

SQUEEGEE GROUP, 32 in / 800 mm 86

BATTERY GROUP, MAINTENANCE FREE 220 Ah 88

BATTERY GROUP, LEAD-ACID 235 Ah 89

TABLE OF CONTENTS

STANDARD PARTS - Cont'd

ELECTRICAL DIAGRAM, STANDARD, FaST & ec-H2O MODELS (S/N 10740996-) ..	90
ELECTRICAL DIAGRAM, STANDARD & FaST MODEL (S/N 10000000- 10740995)	94
ELECTRICAL DIAGRAM, ec-H2O MODEL (S/N 10378380- 10740995)	96
WIRE HARNESS GROUP, ec- H2O NANOCLEAN (S/N 10740996-)	98
WIRE HARNESS GROUP, ec- H2O (S/N 10455033- 10740995)	100
WIRE HARNESS GROUP, ec- H2O (S/N 10000000- 10455032)	102
WIRE HARNESS GROUP, TELEMETRY	104
WIRE HARNESS GROUP, FAST	106
WIRE HARNESS GROUP, MAIN (S/N 10722199-)	107
WIRE HARNESS GROUP, MAIN (S/N 10000000- 10722198)	110
WIRE HARNESS GROUP, FRAME	112
WIRE HARNESS GROUP, WAND OPTION	114

OPTIONS

IRIS TELEMETRY GROUP	116
IRIS TELEMETRY BATTERY MANAGER KIT ...	118
ON-BOARD CHARGER GROUP - 120V (S/N 10409250-)	120
ON-BOARD CHARGER GROUP - 120V (S/N 10000000- 10409249)	122
OFF-BOARD CHARGER GROUP	124
WAND PUMP KIT	126
DELUXE POWER WAND GROUP	128
BUMPER WHEEL KIT	130
POWER WAND HOSE GROUP	132
HYDROLINK® BATTERY WATERING SYSTEM KIT	133
OPTIONAL WHEEL KIT	134

RECOMMENDED MAINTENANCE ITEMS

GENERAL RECOMMENDED MAINTENANCE ITEMS

Ref.	Part No.	Serial Number	Description	Qty.
	1017959	(1000000- 2000000)	Seal, Bulb, Str, 0.50h .50w 032.0l, Adh	1
▽	1043538	(1000000- 2000000)	Hose Assy, Drain, 1.50id X 29.5l, Blk	1
▲▽	1008639	(1000000- 2000000)	Cap, Drain Assy	1
▲▲	1019563	(1000000- 2000000)	Strap, Cap, Drain	1
▲▲	1008637	(1000000- 2000000)	Seal, Org, 1.48id 1.76od	1
	630255	(1000000- 2000000)	Gasket, Float, Mount	1
	630052	(1000000- 2000000)	Float, Shut- Off, (2)Ball, 1.75d	1
▽	1025106	(1000000- 2000000)	Fan, Vacuum, 5.7d, 3s, 24vdc, Us	1
▲	1073334	(1000000- 2000000)	Brush, Carbon, Motor, Ele [1pick=1pkg] (1Pkg=2Brushes)	1
	100038	(1000000- 2000000)	Gasket, Vacuum Mtr 5.7 Epdm W/Psa	1
	606146	(1000000- 2000000)	Screen, Fltr, Soltn Fill, Nat	1
	86379	(1000000- 2000000)	Fuse, 100a 125volt 0.88 X 3.2l	1
	1049048	(1000000- 2000000)	Caster, Swivel, 4.0d 1.4w, 4hole [400lb]	2
	614166	(1000000- 2000000)	Brush Kit, Carbon [Qty 4] (For Transaxle Motor 1031723)	1
	1031775	(1000000- 2000000)	Brush, Brush- Motor, Afmkt (For Disk Scrub Head Motor 1023067)	1
	1035888	(10338658- 2000000)	Belt, Drive, 6Grv, 508l X 14w, [6P]	2
	377500	(1000000- 10338657)	Belt,Synchronous, 500l,15mm [05p,Plychn]	2
	1022401	(1000000- 2000000)	Gasket, Cover, Belt	2
	1049739	(10419662- 2000000)	Brush Kit, Carbon, Motor, Replmt [4pcs]	2
	190152	(1000000- 10419661)	Brush, Carbon [Pk=4]	2
	1025272	(1000000- 2000000)	Skirt, Tray, Debris, 65cm	1
	1025273	(1000000- 2000000)	Skirt, Tray, Debris, 80cm	1
▽	1005302	(1000000- 2000000)	Filter, In- Line, Pf06/Pf06, 80 Mesh	1
▲	1005304	(1000000- 2000000)	Screen, Fltr, 80 Mesh	1
▲	613992	(1000000- 2000000)	Gasket [Viton, F/1005302]	1
	1008675	(1000000- 2000000)	Gasket, Edge, Foam, 24.00l [Fr]	1
	1024105	(1000000- 2000000)	Cable, Lift, Sqge	1
	578074000	(1000000- 2000000)	Blade, Sqge, 300.8mml, Wand (Optional Power Wand)	2
▽	9004459	(1000000- 2000000)	Wheel Kit, Bumper, Retrofit [T5]	1
▲	614317	(1000000- 2000000)	Wheel, 04.0d 1.00w 0.38b, Rbr, Gray	2
▲	1014918	(1000000- 2000000)	Wheel, 03.0d 0.88w 0.31b, W/ Bshg, Rbr	2
▽	9004903	(1000000- 2000000)	Wheel Kit, Pneumatic, Ci [T5 T5e Ss5]	1
▲	1059452	(1000000- 2000000)	Tire Assy, Pneu, Grey, 2.8/2.5- 04 2.75bc	2
▽	9004909	(1000000- 2000000)	Wheel Kit, Solid, Ci [T5 T5e Ss5]	1
▲	1223583	(10819239-)	Wheel, Scrbr, 213mm, W/ Taper	2
	1218753	(10771597- 10819238)	Wheel, Scrbr, 213mm, W/ Taper (Replaced by 9004909)	2
	1020688	(1000000- 10771596)	Wheel, Scrbr, 213.00mm With Taper (Replaced by 9004909)	2
	1017019	(1000000- 2000000)	Detergent Pkg, 2 Liter, Sgl [Mp]	1
	1017025	(1000000- 2000000)	Detergent Pkg, 2 Liter, Sgl [Mpd]	1
	9006161	(10378380- 10448304)	Module Kit, Replmt [Ec- H2o] (See Breakdown)	1
	9007970	(10448305- 10740995)	Module Kit, Replmt [Ec- H2o] (See Breakdown)	1
	9011810	(10740996- 2000000)	Module Kit, Replmt [Ec- H2o, B 02] (See Breakdown)	1
	9013646	(10740996- 2000000)	Cartridge, Ec- H2o Nanoclean Wcm, 270ml	1
	1216973	(10740996- 2000000)	Pump Assy, Dispenser	1
	9010085	(10744996- 2000000)	Control Box Assy Kit, Replmt, Telem[Usa]	1
	9010086	(10744996- 2000000)	Control Box Assy Kit, Replmt, Telem[Intl]	1
	1070659	(10744996- 2000000)	Antenna, Telem, 70 In [Gprs]	1

RECOMMENDED MAINTENANCE ITEMS

CYLINDRICAL 26 in / 650 mm MODEL RECOMMENDED MAINTENANCE ITEMS

Ref.	Part No.	Serial Number	Description	Qty.
	399251	(10000000- 20000000)	Brush, Scb, Cyl, 26l, 18 Sr, Nyl (Soft Nylon)	2
	399252	(10000000- 20000000)	Brush, Scb, Cyl, 26.0l, Poly (Medium Polypropylene)	2
	399253	(10000000- 20000000)	Brush, Scb, Cyl, 26.0l, Hd Poly (Stiff Polypropylene)	2
	399254	(10000000- 20000000)	Brush, Scb, Cyl, 26.0l, Abr (Abrasive)	2
	1060864	(10000000- 20000000)	Brush, Scb, Cyl, 26l, 18sr, Abr, Spl (Abrasive - Light Duty)	2

CYLINDRICAL 32 in / 800 mm MODEL RECOMMENDED MAINTENANCE ITEMS

Ref.	Part No.	Serial Number	Description	Qty.
	222308	(10000000- 20000000)	Brush, Scb, Cyl, 32l, 18 Sr, Nyl, Spl (Soft Nylon)	2
	374042	(10000000- 20000000)	Brush, Scb, Cyl, 32l, 18 Sr, Pyp ,Spl (Medium Polypropylene)	2
	222307	(10000000- 20000000)	Brush, Scb, Cyl, 32l, 18 Sr, Pyp Grout, Spl (Stiff Polypropylene)	2
	222309	(10000000- 20000000)	Brush, Scb, Cyl, 32l, 18 Sr, Abr, Spl (Abrasive)	2

DISK 24 in / 600 mm MODEL RECOMMENDED MAINTENANCE ITEMS

Ref.	Part No.	Serial Number	Description	Qty.
	1220203	(10000000- 20000000)	Brush Assy, Disk, Scb, 12.0d, Nyl (Soft Nylon)	2
	1220204	(10000000- 20000000)	Brush Assy, Disk, Scb, 12.0d, Pyp (Med Polypropylene)	2
	1220205	(10000000- 20000000)	Brush Assy, Disk, Scb, 12.0d, Sab (Super Abrasive)	2
	370095	(10000000- 20000000)	Device, Centering, Clip- On, Teal, Gf Pp	1
	385940	(10000000- 20000000)	Pad, Polish, 12.0d, White [1pad=1pc] (Polishing)	2
	385941	(10000000- 20000000)	Pad, Buff, 12.0d, Red [1pad=1pc] (Light Scrub & Buff)	2
	385942	(10000000- 20000000)	Pad, Scb, 12.0d, Blu [1pick = 1 Pad] (Blue) (Med Scrub)	2
	385943	(10000000- 20000000)	Pad, Stripping, 12.0d, Brown [1pad=1pc] (Scrub/Strip)	2
	1051020	(10000000- 20000000)	Pad, Surf Prep, 12.0d [Mar, 1pick=1pad] (Maroon- Prep)	2

RECOMMENDED MAINTENANCE ITEMS

DISK 28 in / 700 mm MODEL RECOMMENDED MAINTENANCE ITEMS

Ref.	Part No.	Serial Number	Description	Qty.
	1221541	(10000000- 20000000)	Brush Assy, Disk, Scb, 14.0d, Nyl (Soft Nylon)	2
	1220218	(10000000- 20000000)	Brush Assy, Disk, Scb, 14.0d, Pyp (Med Polypropylene)	2
	1220217	(10000000- 20000000)	Brush Assy, Disk, Scb, 14.0d, Sab (Super Abrasive)	2
	370095	(10000000- 20000000)	Device, Centering, Clip- On, Teal, Gf Pp	1
	222324	(10000000- 20000000)	Pad, Polish, 14.0d, White [1pad=1pc] (Polish)	2
	222325	(10000000- 20000000)	Pad, Buff, 14.0d, Red (Light Scrub & Buff)	2
	222326	(10000000- 20000000)	Pad, Scb, 14.0d, Blu [1pad=1pc] (Blue) (Med Scrub)	2
	222327	(10000000- 20000000)	Pad, Stripping, 14.0d, Brown [1pad=1pc] (Scrub/Strip)	2
	1051026	(10000000- 20000000)	Pad, Surf Prep, 14.0d [Mar, 1pick=1pad] (Maroon- Prep)	2

DISK 32 in / 800 mm MODEL RECOMMENDED MAINTENANCE ITEMS

Ref.	Part No.	Serial Number	Description	Qty.
	1220215	(10000000- 20000000)	Brush Assy, Disk, Scb, 16.0d, Nyl (Soft Nylon)	2
	1220216	(10000000- 20000000)	Brush Assy, Disk, Scb, 16.0d, Pyp (Med Polypropylene)	2
	1220214	(10000000- 20000000)	Brush Assy, Disk, Scb, 16.0d, Sab (Super Abrasive)	2
	370095	(10000000- 20000000)	Device, Centering, Clip- On, Teal, Gf Pp	1
	63248- 4	(10000000- 20000000)	Pad, Polish, 16.0d, White [1pad=1pc] (Polish)	2
	63248- 3	(10000000- 20000000)	Pad, Buff, 16.0d, Red (Light Scrub & Buff)	2
	63248- 2	(10000000- 20000000)	Pad, Scb, 16.0d, Blu [1pad=1pc] (Blue) (Med Scrub)	2
	63248- 1	(10000000- 20000000)	Pad, Stripping, 16.0d, Brown [1pad=1pc] (Scrub/Strip)	2
	1051027	(10000000- 20000000)	Pad, Surf Prep, 16.0d [Mar, 1pick=1pad] (Maroon- Prep)	2

RECOMMENDED MAINTENANCE ITEMS

SQUEEGEE GROUP, 20 in / 500 mm, RECOMMENDED MAINTENANCE ITEMS

Ref.	Part No.	Serial Number	Description	Qty.
▽	9001178	(10000000- 20000000)	Squeegee Assy Kit, 500mm, Ci	1
▲	1010560	(10000000- 20000000)	Wheel, Bmpr, 80d X 25w, Non- Marking	2
▲	1006343	(10000000- 20000000)	Caster, Swivel, 50mmd, M10 X 30 Stem, Pl	2
▲	1010558	(10000000- 20000000)	Knob, Star, 2.00d 4ear 0.7l M8x1.25 Thru	4
▲	1011232	(10000000- 20000000)	Blade, Sqge, Front, 500mml (Linatex Red Standard)	1
	1014091	(10000000- 20000000)	Blade, Sqge, Front, 500mm, Gum (Gum Rubber Tan Optional)	1
	1014092	(10000000- 20000000)	Blade, Sqge, Front, 500mml, Oil- Rstn (Polyurethane Natural Optional)	1
▲	1011456	(10000000- 20000000)	Blade, Sqge, Rear, 500mm Linatex (Linatex Red Standard)	1
	1014093	(10000000- 20000000)	Blade, Sqge, Rear, 500mm Gum (Gum Rubber Tan Optional)	1
	1014094	(10000000- 20000000)	Blade, Sqge, Rear, 500mm Oil- Rstn (Polyurethane Natural Optional)	1
▲	1013933	(10000000- 20000000)	Strap Assy, Sqge, 500mm	1
	1014026	(10000000- 20000000)	Hose, Vacuum, 1.5d X 57l, 2- Short Cuffs	1

SQUEEGEE GROUP, 24 in / 600 mm, RECOMMENDED MAINTENANCE ITEMS

Ref.	Part No.	Serial Number	Description	Qty.
▽	9002679	(10000000- 20000000)	Kit, Squeegee, 600mm Ci	1
▲	1010560	(10000000- 20000000)	Wheel, Bmpr, 80d X 25w, Non- Marking	2
▲	1006343	(10000000- 20000000)	Caster, Swivel, 50mm D, M10 X 30 Stem,Zn	2
▲	1054375	(10000000- 20000000)	Knob, Star, 2.75d 4ear 1.1l M8x1.25 Thru	4
▲	1021804	(10000000- 20000000)	Blade, Sqge, Front, 88cml [Lnx, 60cm] (Linatex Red Standard)	1
	1025333	(10000000- 20000000)	Blade, Sqge, Front, 88cml, Gum [60cm] (Gum Rubber Tan Optional)	1
	1025334	(10000000- 20000000)	Blade, Sqge, Front, 88cml, Ure [60cm] (Polyurethane Natural Optional)	1
▲	630477	(10000000- 20000000)	Wheel, Pyu, 2.0d 0.38w, Gray	1
▲	1021333	(10000000- 20000000)	Blade, Sqge, Rear, 88cm,Linatex[60cm] (Linatex Red Standard)	1
	1025335	(10000000- 20000000)	Blade, Sqge, Rear, 88cml, Gum [60cm] (Gum Rubber Tan Optional)	1
	1025336	(10000000- 20000000)	Blade, Sqge, Rear, 88cm, Ure [60cm] (Polyurethane Natural Optional)	1
	1014026	(10000000- 20000000)	Hose, Vacuum, 1.5d X 57l, 2- Short Cuffs	1

RECOMMENDED MAINTENANCE ITEMS

SQUEEGEE GROUP, 26 in / 650 mm & 28 in / 700 mm RECOMMENDED MAINTENANCE ITEMS

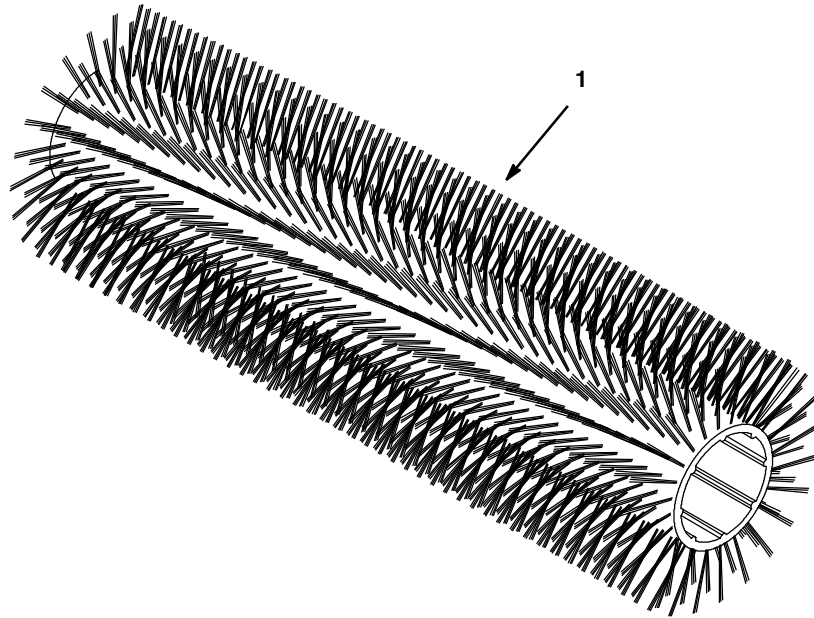
Ref.	Part No.	Serial Number	Description	Qty.
▽	9002680	(10000000-20000000)	Kit, Squeegee, 700mm Ci	1
▲	1010560	(10000000-20000000)	Wheel, Bmpr, 80d X 25w, Non- Marking	2
▲	1006343	(10000000-20000000)	Caster, Swivel, 50mm D, M10 X 30 Stem,Zn	2
▲	1054375	(10000000-20000000)	Knob, Star, 2.75d 4ear 1.1l M8x1.25 Thru	4
▲	1023327	(10000000-20000000)	Blade, Sqge, Front, 98cml [Lnx, 70cm] (Linatex Red Standard)	1
	1025337	(10000000-20000000)	Blade, Sqge, Front, 98cml, Gum [70cm] (Gum Rubber Tan Optional)	1
	1025339	(10000000-20000000)	Blade, Sqge, Front, 98cml, Ure [70cm] (Polyurethane Natural Optional)	1
▲	630477	(10000000-20000000)	Wheel, Pyu, 2.0d 0.38w, Gray	1
▲	1023329	(10000000-20000000)	Blade, Sqge, Rear, 98cm,Linatex[70cm] (Linatex Red Standard)	1
	1025340	(10000000-20000000)	Blade, Sqge, Rear, 98cml, Gum [70cm] (Gum Rubber Tan Optional)	1
	1025341	(10000000-20000000)	Blade, Sqge, Rear, 98cm, Ure [70cm] (Polyurethane Natural Optional)	1
	1014026	(10000000-20000000)	Hose, Vacuum, 1.5d X 57l, 2- Short Cuffs	1

SQUEEGEE GROUP, 32 in / 800 mm, RECOMMENDED MAINTENANCE ITEMS

Ref.	Part No.	Serial Number	Description	Qty.
▽	9002681	(10000000-20000000)	Kit, Squeegee, 800mm Ci	1
▲	1010560	(10000000-20000000)	Wheel, Bmpr, 80d X 25w, Non- Marking	2
▲	1006343	(10000000-20000000)	Caster, Swivel, 50mm D, M10 X 30 Stem,Zn	2
▲	1054375	(10000000-20000000)	Knob, Star, 2.75d 4ear 1.1l M8x1.25 Thru	4
▲	1023398	(10000000-20000000)	Blade, Sqge, Front, 105cm [Linx 80cm] (Linatex Red Standard)	1
	1025342	(10000000-20000000)	Blade, Sqge, Front, 105cml, Gum[80cm] (Gum Rubber Tan Optional)	1
	1025343	(10000000-20000000)	Blade, Sqge, Front, 105cm, Ure [80cm] (Polyurethane Natural Optional)	1
▲	630477	(10000000-20000000)	Wheel, Pyu, 2.0d 0.38w, Gray	1
▲	1023399	(10000000-20000000)	Blade, Sqge, Rear, 105cml[Linx, 80cm] (Linatex Red Standard)	1
	1025344	(10000000-20000000)	Blade, Sqge, Rear, 105cml, Gum [80cm] (Gum Rubber Tan Optional)	1
	1025346	(10000000-20000000)	Blade, Sqge, Rear, 105cml, Ure [80cm] (Polyurethane Natural Optional)	1
	1014026	(10000000-20000000)	Hose, Vacuum, 1.5d X 57l, 2- Short Cuffs	1

RECOMMENDED MAINTENANCE ITEMS

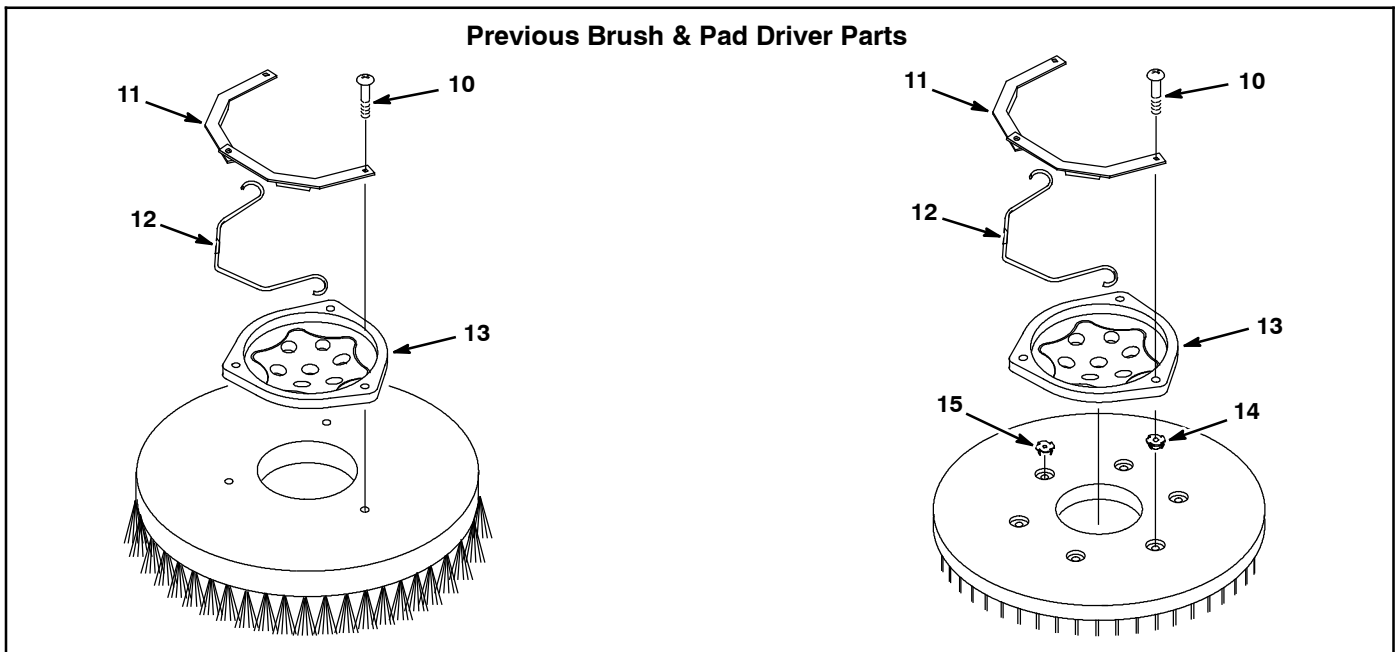
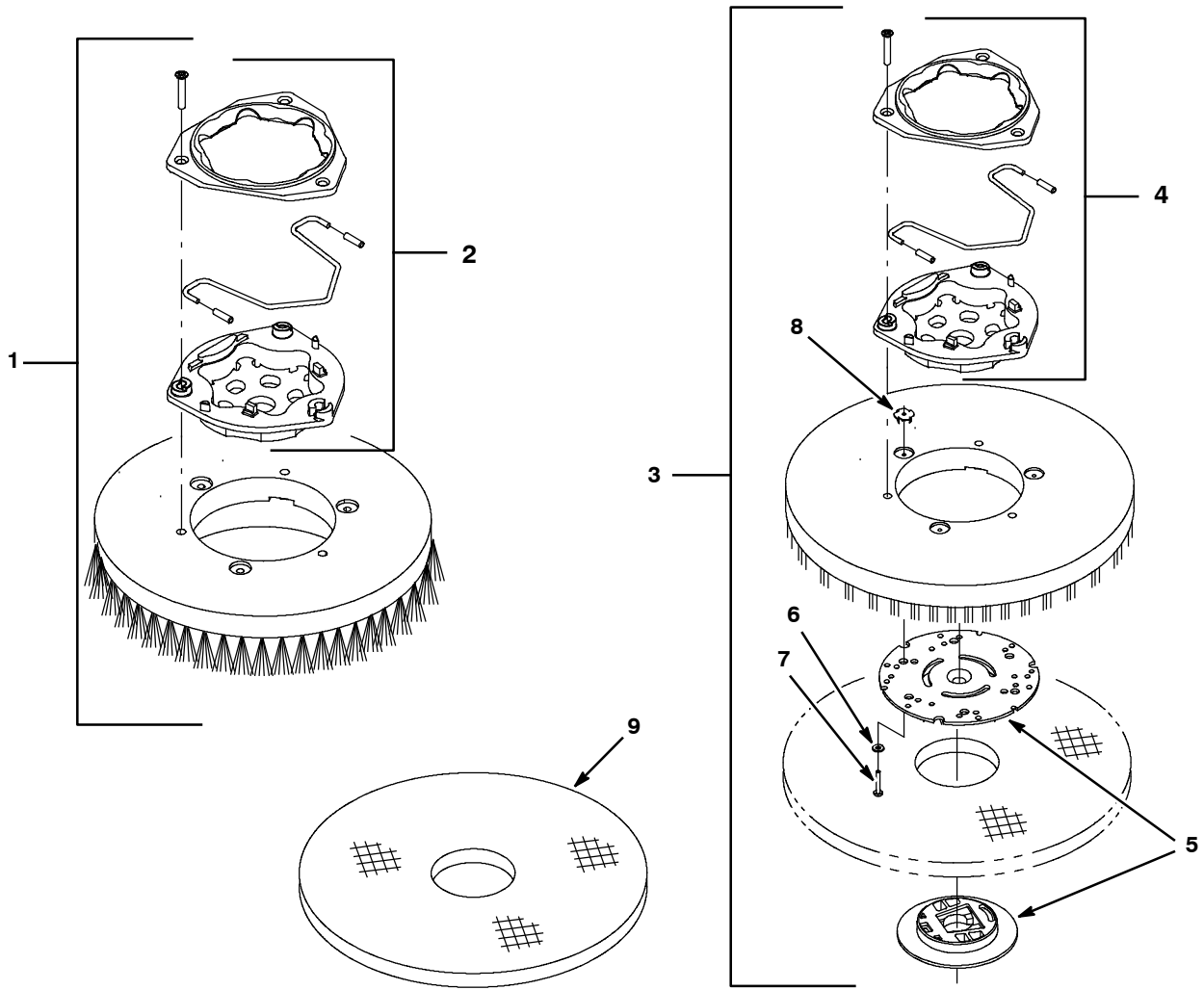
REPLACEMENT CYLINDRICAL BRUSHES



REPLACEMENT CYLINDRICAL BRUSHES

Ref.	Part No.	Serial Number	Description	Qty.
1	399251	(10000000- 20000000)	Brush, Scb, 26l, 18 Sr, Nyl (Soft Nylon)	2
1	399252	(10000000- 20000000)	Brush, Scb, Cyl, 26.0l, Poly (Medium Polypropylene)	2
1	399253	(10000000- 20000000)	Brush, Scb, Cyl, 26.0l, Hd Poly (Stiff Polypropylene)	2
1	399254	(10000000- 20000000)	Brush, Scb, Cyl, 26.0l, Abr (Abrasive)	2
1	1060864	(10000000- 20000000)	Brush, Scb, 26l, 18sr, Abr, Spl (Abrasive- Light Duty)	2
1	222308	(10000000- 20000000)	Brush, Scb, 32l, 18 Sr, Nyl, Spl (Soft Nylon)	2
1	374042	(10000000- 20000000)	Brush, Scb, 32l, 18 Sr, Pyp, Spl (Medium Polypropylene)	2
1	222307	(10000000- 20000000)	Brush, Scb, 32l, 18 Sr, Pyp Grout, Spl (Stiff Polypropylene)	2
1	222309	(10000000- 20000000)	Brush, Scb, 32l, 18 Sr, Abr, Spl (Abrasive)	2
1	1062078	(10000000- 20000000)	Brush, Scb, 32l, 18sr, Abr, Spl (Abrasive- Light Duty)	2

REPLACEMENT BRUSHES AND PAD DRIVERS



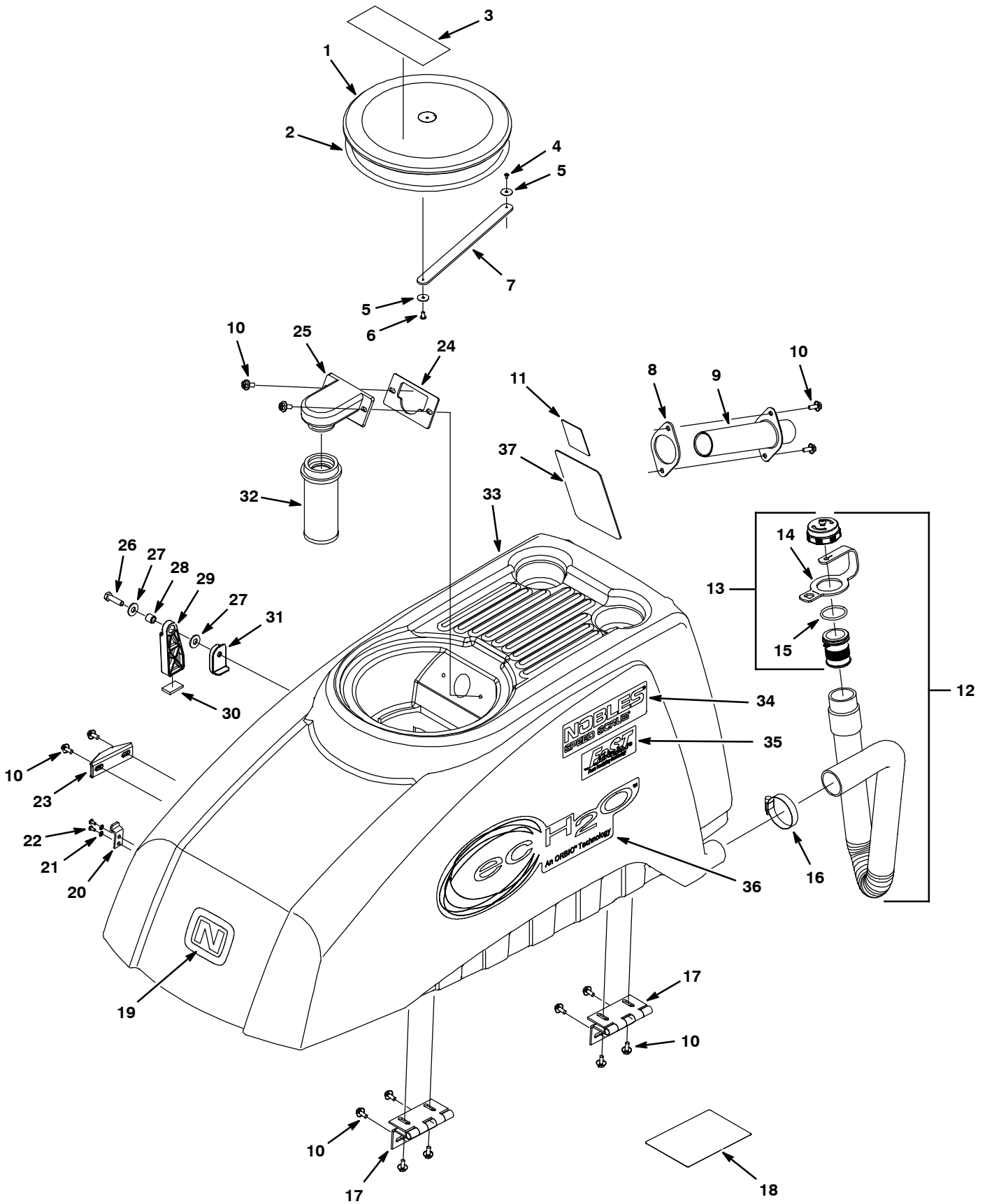
REPLACEMENT BRUSHES AND PAD DRIVERS

Ref.	Part No.	Serial Number	Description	Qty.
∇	1	1220203	(10000000-20000000) Brush Assy, Disk, Scb, 12.0d, Nyl (Soft Nylon)	2
∇	1	1220204	(10000000-20000000) Brush Assy, Disk, Scb, 12.0d, Pyp (Med Polypropylene)	2
∇	1	1220205	(10000000-20000000) Brush Assy, Disk, Scb, 12.0d, Sab (Super Abrasive)	2
∇	1	1221541	(10000000-20000000) Brush Assy, Disk, Scb, 14.0d, Nyl (Soft Nylon)	2
∇	1	1220218	(10000000-20000000) Brush Assy, Disk, Scb, 14.0d, Pyp (Med Polypropylene)	2
∇	1	1220217	(10000000-20000000) Brush Assy, Disk, Scb, 14.0d, Sab (Super Abrasive)	2
∇	1	1220215	(10000000-20000000) Brush Assy, Disk, Scb, 16.0d, Nyl (Soft Nylon)	2
∇	1	1220216	(10000000-20000000) Brush Assy, Disk, Scb, 16.0d, Pyp (Med Polypropylene)	2
∇	1	1220214	(10000000-20000000) Brush Assy, Disk, Scb, 16.0d, Sab (Super Abrasive)	2
▲	2	9014667	(10000000-20000000) Brush Kit, Hub Assy, Drive Ci [Comm]	1
∇	3	1220219	(10000000-20000000) Driver Assy, Pad, 12.0d, Brush	2
∇	3	1220221	(10000000-20000000) Driver Assy, Pad, 14.0d, Brush	2
∇	3	1220222	(10000000-20000000) Driver Assy, Pad, 16.0d, Brush	2
▲	4	9014667	(10000000-20000000) Brush Kit, Hub Assy, Drive Ci [Comm]	2
▲	5	370095	(10000000-20000000) Device, Centering, Clip- On, Teal, Gf Pp	1
▲	6	41579	(10000000-20000000) Washer, Flat, #8, Ss	3
▲	7	04403	(10000000-20000000) Screw, Pan, M4 X 0.7 X 25, Ss, NI	3
▲	8	10908	(10000000-20000000) Nut, T, M4 X 0.7	3
	9	385940	(10000000-20000000) Pad, Polish, 12.0d, White [1pad=1pc] (Polishing)	2
	9	385941	(10000000-20000000) Pad, Buff, 12.0d, Red [1pad=1pc] (Light Scrub & Buff)	2
	9	385942	(10000000-20000000) Pad, Scb, 12.0d, Blu [1pick = 1 Pad] (Blue) (Med Scrub)	2
	9	385943	(10000000-20000000) Pad, Stripping, 12.0d, Brown [1pad=1pc] (Strip)	2
	9	1051020	(10000000-20000000) Pad, Surf Prep, 12.0d [Mar, 1pick=1pad] (Maroon- Prep)	2
	9	222324	(10000000-20000000) Pad, Polish, 14.0d, White [1pad=1pc] (Polishing)	2
	9	222325	(10000000-20000000) Pad, Buff, 14.0d, Red (Light Scrub & Buff)	2
	9	222326	(10000000-20000000) Pad, Scb, 14.0d, Blu [1pad=1pc] (Blue) (Med Scrub)	2
	9	222327	(10000000-20000000) Pad, Stripping, 14.0d, Brown [1pad=1pc] (Scrub/Strip)	2
	9	1051026	(10000000-20000000) Pad, Surf Prep, 14.0d [Mar, 1pick=1pad] (Maroon- Prep)	2
	9	63248- 4	(10000000-20000000) Pad, Polish, 16.0d, White [1pad=1pc] (Polishing)	2
	9	63248- 3	(10000000-20000000) Pad, Buff, 16.0d, Red (Light Scrub & Buff)	2
	9	63248- 2	(10000000-20000000) Pad, Scb, 16.0d, Blu [1pad=1pc] (Blue) (Med Scrub)	2
	9	63248- 1	(10000000-20000000) Pad, Stripping, 16.0d, Brown [1pad=1pc] (Scrub/Strip)	2
	9	1051027	(10000000-20000000) Pad, Surf Prep, 16.0d [Mar, 1pick=1pad] (Maroon- Prep)	2

PREVIOUS BRUSH AND PAD DRIVER PARTS

10	32747	(10000000-20000000)	Screw, Pan, M6 X 1.0 X 40, Ss	3
11	21852	(10000000-20000000)	Bracket, Retainer, Spring	2
12	21853	(10000000-20000000)	Spring, Wir, 0.16d, Brush Retaining (12" Brush)	1
12	1028905	(10000000-20000000)	Spring, Wir, 0.16d, Brush Retaining,(14" & 16" Brush)	1
13	1017112	(10000000-20000000)	Hub, Drive, Brush, Disk, 3hole 5.8bc	1
14	05709	(10000000-20000000)	Nut, T, M6 X 1.00	3
15	10908	(10000000-20000000)	Nut, T, M4 X 0.7	3
	1025094	(10000000-20000000)	Brush Assy, Disk, Scb, 11.90d, Nyl (Repld By 1220203)	2
	1025095	(10000000-20000000)	Brush Assy, Disk, Scb, 11.90d, Pyp (Repld By 1220204)	2
	1025096	(10000000-20000000)	Brush Assy, Disk, Scb, 11.9d, Sab (Repld By 1220205)	2
	399246	(10000000-20000000)	Brush, Disk, Scr, 13.90d, Assy, Nyl (Repld By 1221541)	2
	399247	(10000000-20000000)	Brush, Disk, Scr, 13.90d, Assy, Pyp (Repld By 1220218)	2
	399245	(10000000-20000000)	Brush, Disk, Scr, 13.90d, Assy, Sab (Repld By 1220217)	2
	399243	(10000000-20000000)	Brush, Disk, Scr, 15.9d, Assy, Nyl (Repld By 1220215)	2
	399244	(10000000-20000000)	Brush, Disk, Scr, 15.9d, Assy, Pyp (Repld By 1220216)	2
	399242	(10000000-20000000)	Brush, Disk, Scr, 15.9d, Assy, Sab (Repld By 1220214)	2
	385944	(10000000-20000000)	Driver Assy, Pad, 12.0d, Brush (Repld By 1220219)	2
	399249	(10000000-20000000)	Driver Assy, Pad, 14.0d, Brush (Repld By 1220221)	2
	399250	(10000000-20000000)	Driver Assy, Pad, 16.0d, Brush (Repld By 1220222)	2

RECOVERY TANK GROUP



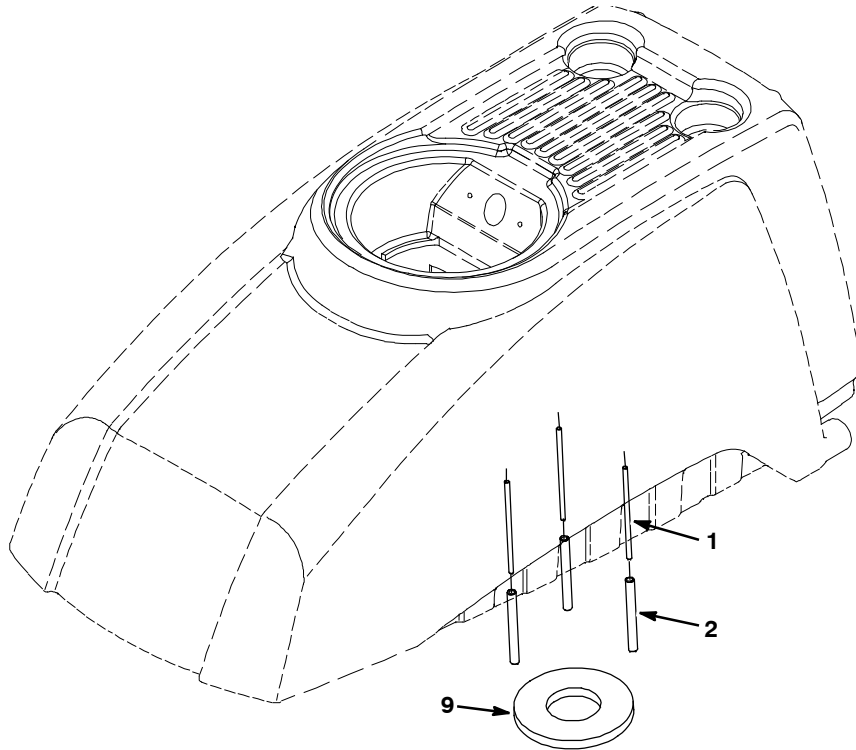
RECOVERY TANK GROUP

Ref.	Part No.	Serial Number	Description	Qty.
▽	1	1017958	(10000000- 20000000) Lid Assy, Tank, Recvy	1
▲	2	1017959	(10000000- 20000000) Seal, Bulb, Str, 0.50h .50w 032.0l, Adh	1
▲	3	1026386	(10000000- 20000000) Label, Warning [Expl,Fire,Shk En/Fr/Es]	1
	4	3701.6	(10000000- 20000000) Screw, Pan, #06- 32 X 0.38, Phl Ss Shtmtl	1
	5	1009168	(10000000- 20000000) Washer, Flat, 0.17b 0.75d .04, Ss	2
	6	606915	(10000000- 20000000) Screw, Pan, #10- 16 X 0.38, Ss, F/ Plstc	1
	7	1001005	(10000000- 20000000) Strap, Retaining, Cover	1
	8	1024602	(10000000- 20000000) Gasket, Adapter, Hose .13, Neo, Adh	1
	9	1021214	(10000000- 20000000) Tube, Hose, Adapter, 1.5d	1
	10	1034731	(10000000- 20000000) Screw, Hex, M6 X 1.00 X 16, Ss, Sems	14
	11	1025660	(10000000- 20000000) Label, Nfsi, Thk Adh (Fast & ec-H2O Models)	1
▽	12	1043538	(10000000- 20000000) Hose Assy, Drain, 1.50id X 29.5l, Blk	1
▲▽	13	1008639	(10000000- 20000000) Cap, Drain Assy	1
▲▲	14	1019563	(10000000- 20000000) Strap, Cap, Drain	1
▲▲	15	1008637	(10000000- 20000000) Seal, Org, 1.48id 1.76od	1
	16	11531	(10000000- 20000000) Clamp, Hose, Wormdrive, 1.06- 2.00d, .56w	1
	17	1022380	(10000000- 20000000) Hinge, 7mmpin 3mm Th 73.5mmw 100mml	2
	18	1024802	(10000000- 20000000) Label, Instr, Battery	1
	19	1034637	(10000000- 20000000) Label, Front, 3.50 [Nobles Icon]	1
	20	49800	(10000000- 20000000) Latch	1
	21	02938	(10000000- 20000000) Washer, Lock, Int, #08, Ss	2
	22	391403	(10000000- 20000000) Screw, Pan, M4 X 0.7 X 8, Ss	2
	23	1061143	(10000000- 20000000) Bracket, Guide, Recvy Tank, [T5, Ss5]	1
	24	630255	(10000000- 20000000) Gasket, Float, Mount	1
	25	630053	(10000000- 20000000) Mount, Cage, Float [20.0 Scrubber]	1
	26	1039118	(10000000- 20000000) Screw, Btn, M8 X 1.25 X 30, Blk	1
	27	140027	(10000000- 20000000) Washer, Flat, 0.35b 0.75d .04, Ss	2
	28	222460	(10000000- 20000000) Sleeve, P/M, 0.31b 0.50d 0.5l	1
	29	1022399	(10000000- 20000000) Support, Tank, Prop, Blk, Nyl	1
	30	1032763	(10000000- 20000000) Gasket, Stand, Support	1
	31	1022904	(10000000- 20000000) Bracket, Sppt, Stop, Blk, Nyl	1
	32	630052	(10000000- 20000000) Float, Shut- Off, (2)Ball, 1.75d	1
	33	9003652	(10000000- 20000000) Tank Kit, Recvy [Ss5]	1
	34	1064991	(10000000- 20000000) Label, Model [Speed Scrub]	2
	35	1064994	(10000000- 20000000) Label, Logo, 06.1l Dk Gr [Fast]	2
	36	1216533	(10740996- 20000000) Label, Logo [Ech2o Nano Nobles]	2
	36	1064823	(10000000- 10740995) Label, Logo, 12.3l 4color [Ech2o Nobles]	2
	37	1217056	(10740996- 20000000) Label, Instr [Ec- H20 Nc]	1
	37	1071570	(10000000- 10740995) Label, Instr, Ec- H2o, 4.0x6.50	1

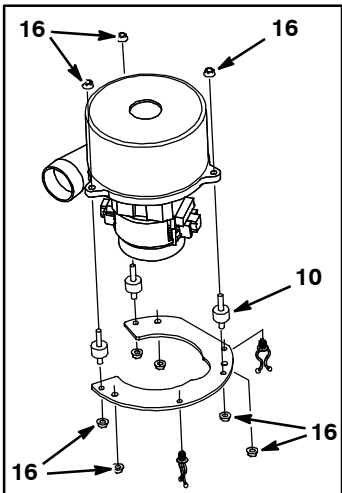
▽ ASSEMBLY

▲ INCLUDED IN ASSEMBLY

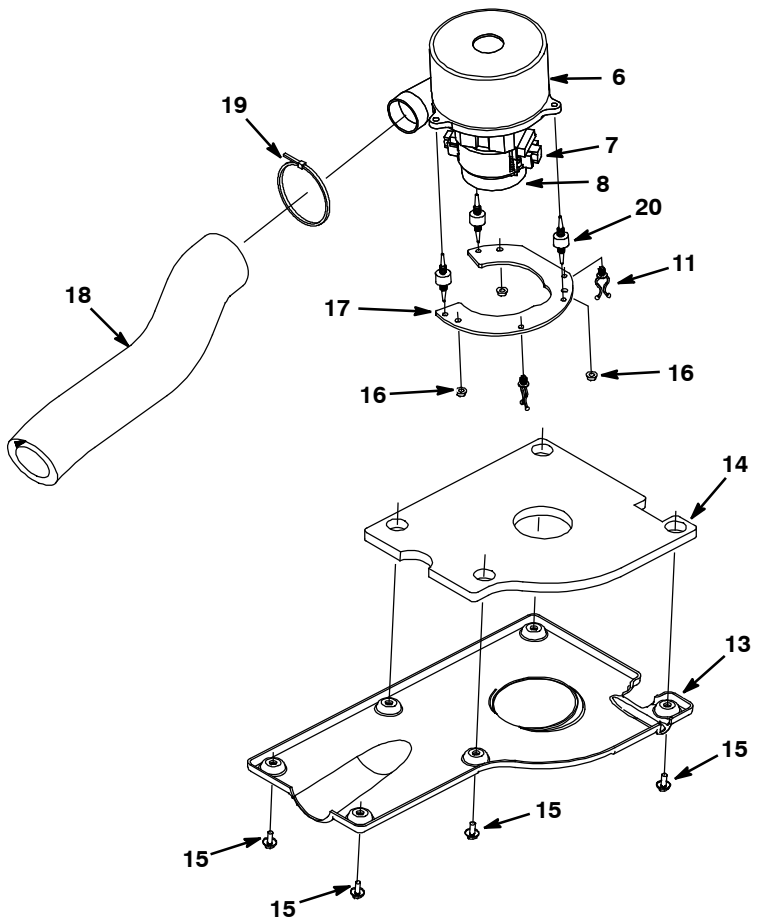
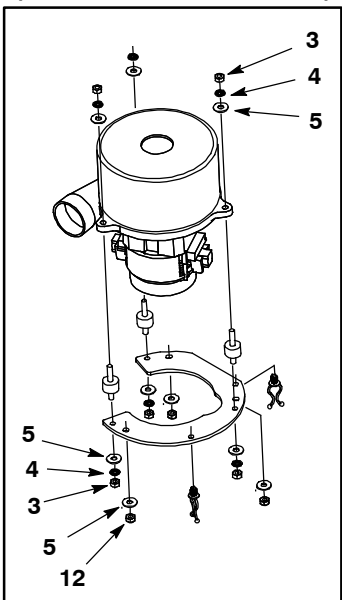
VACUUM MOTOR GROUP



(S/N 10358065-10519188)



(S/N 10000000-10358064)



VACUUM MOTOR GROUP

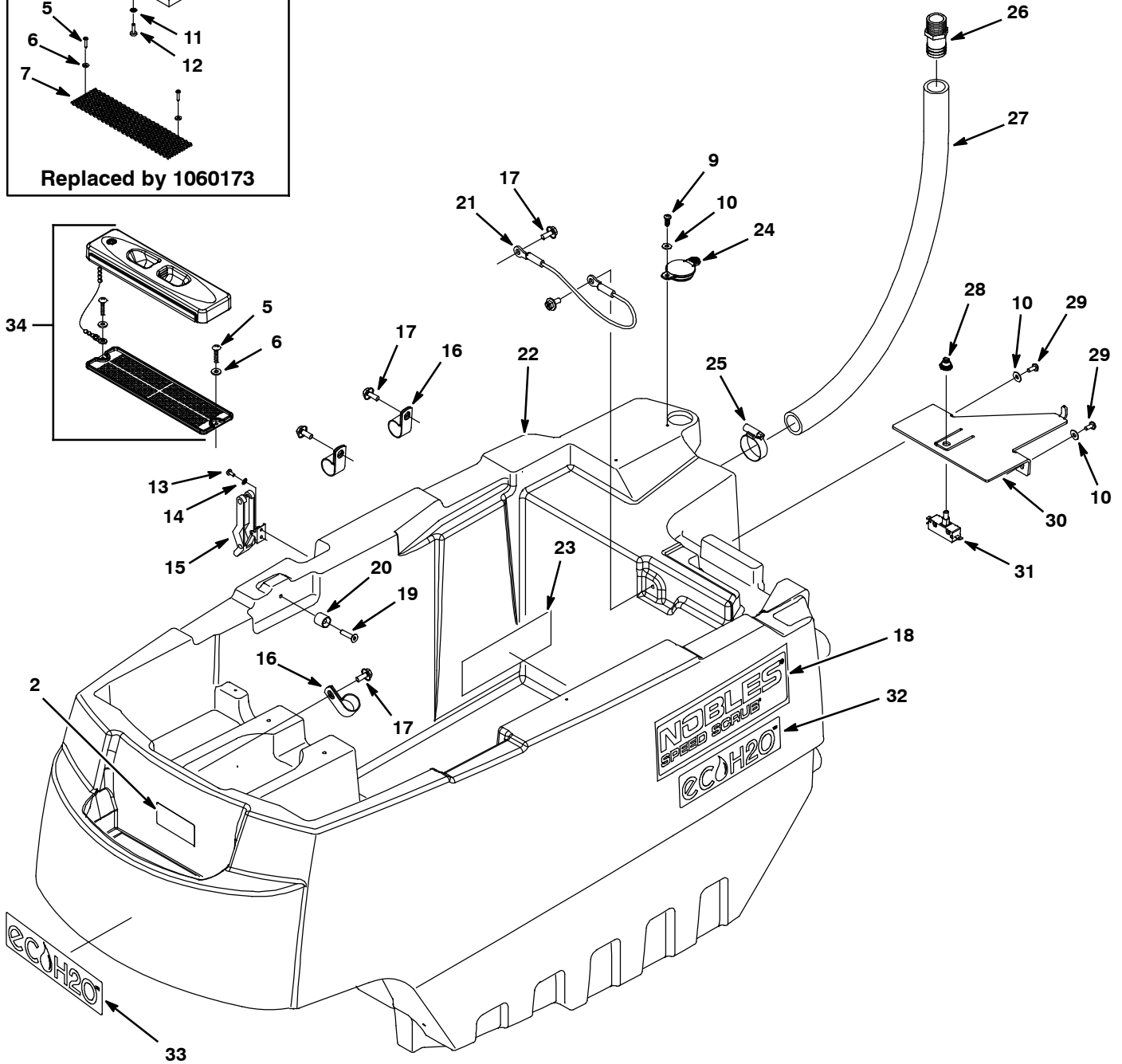
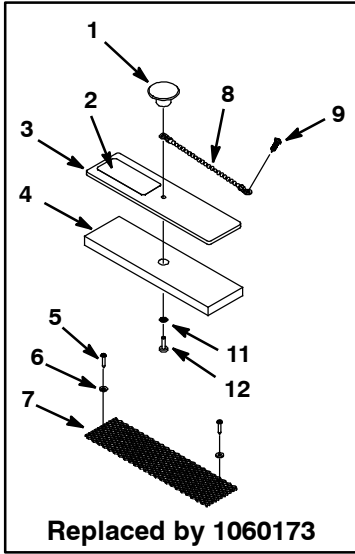
Ref.	Part No.	Serial Number	Description	Qty.	
1	1015412	(10000000- 20000000)	Rod, Thrd, Full, M06 X 1.0 05.5l	3	
2	1022406	(10000000- 20000000)	Tube, 0.43d 0.28b 04.2l, Stl, Pl	3	
3	07785	(10000000- 10358064)	Nut, Hex, Std, M6 X 1.0, A2, Ss	6	
4	07515	(10000000- 10358064)	Washer, Lock, Int, 0.25 Ss	6	
5	01684	(10000000- 10358064)	Washer, Flat, 0.25 Ss	9	
▽	6	1025106	(10000000- 20000000)	Fan, Vacuum, 5.7d, 3s, 24vdc, Us	1
▲	7	1073334	(10000000- 20000000)	Brush, Carbon, Motor, Ele [1pick=1pkg] (1Pkg=2Brushes)	1
▲	8	130487	(10000000- 20000000)	Housing, Motor, Fan, Vent	1
	9	100038	(10000000- 20000000)	Gasket, Vacuum Mtr 5.7 Epdm W/Psa	1
	10	1011093	(10000000- 10519188)	Isolator, Vib, .75d, M6 Stud Both Ends	3
	11	30406	(10000000- 20000000)	Clip, Keeper	2
	12	08712	(10000000- 10358064)	Nut, Hex, Lock, M6 X 1.0, Ss, NI	3
	13	1022268	(10000000- 20000000)	Cover, Vac, Noise	1
	14	1024112	(10000000- 20000000)	Pad, Foam, Insulator	1
	15	1034731	(10000000- 20000000)	Screw, Hex, M6 X 1.00 X 16, Ss, Sems	6
	16	1040381	(10519189- 20000000)	Nut, Hex, Flng, M6 X 1.0, Ss [Serrated]	3
	16	1040381	(10358065- 10519188)	Nut, Hex, Flng, M6 X 1.0, Ss [Serrated]	9
	17	1022375	(10000000- 20000000)	Bracket, Mtg, Vacuum	1
	18	390677	(10000000- 20000000)	Muffler, Exhaust, Vacuum Fan, Long	1
	19	130773	(10000000- 20000000)	Tie, Cable, Nyl, 11.0l, .14w, 3.0 Max. D	1
	20	1062016	(10519189- 20000000)	Isolator, Vib, .75d	3

▽ ASSEMBLY

▲ INCLUDED IN ASSEMBLY

SOLUTION TANK GROUP

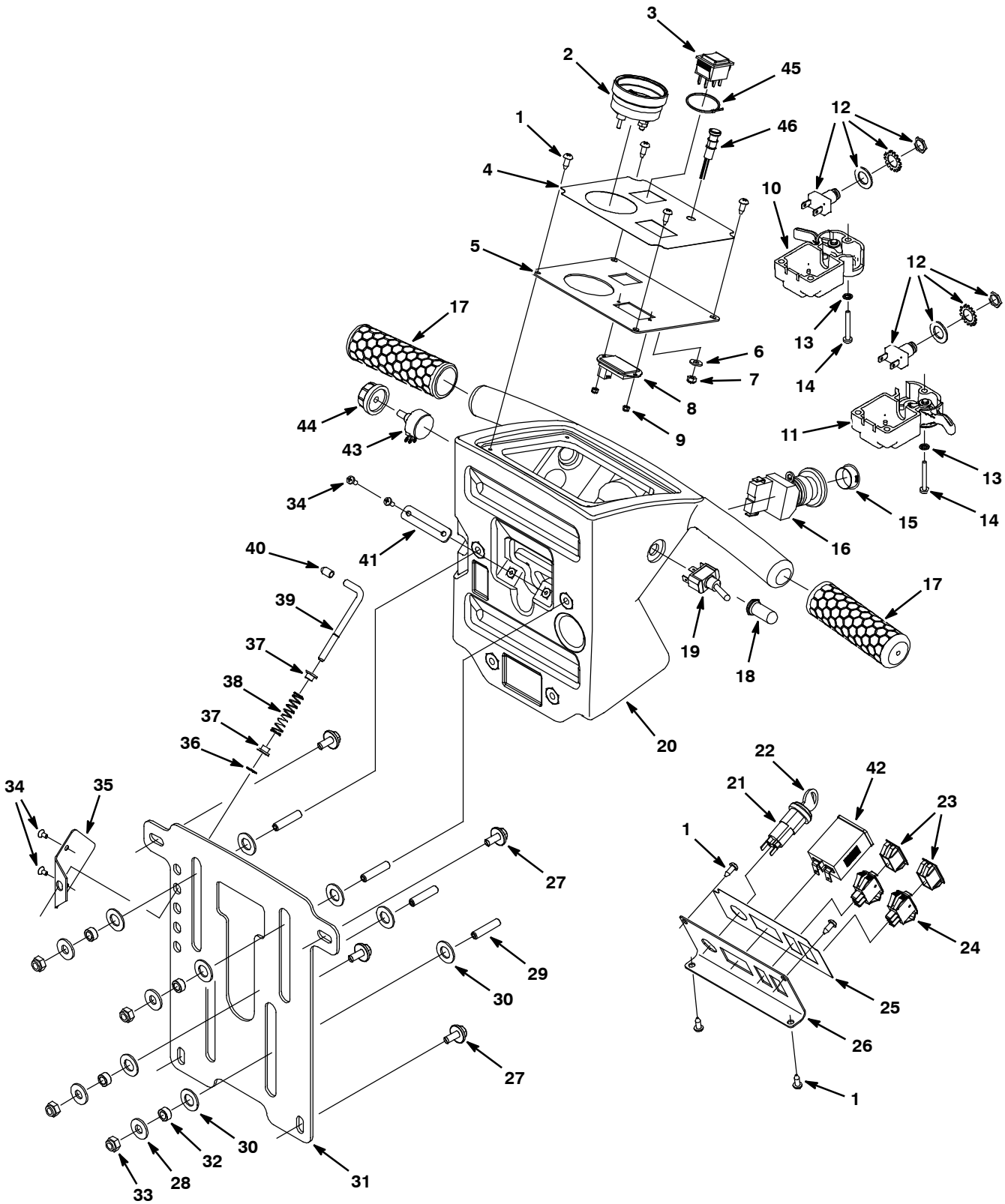
(S/N 10000000- 10517541)



SOLUTION TANK GROUP

Ref.	Part No.	Serial Number	Description	Qty.
1	578301	(10000000- 10517541)	Knob 10- 32f Fill- Cover	1
2	391451	(10000000- 20000000)	Label [Attention Fast Users] (Fast Model)	1
2	1050003	(10378380- 20000000)	Label, User, Attention, Ec- H2o	1
3	605061	(10000000- 10517541)	Cover Solution Fill (Replaced by 1060173)	1
4	605062	(10000000- 10517541)	Gasket, Cover, Soltn Fill (Replaced by 1060173)	1
5	140826	(10000000- 20000000)	Screw, Pan, #06- 32 X 0.75, Ss, Fmg [Ab]	2
6	140032	(10000000- 20000000)	Washer, Flat, #6, Ss	2
7	606146	(10000000- 10517541)	Screen, Fltr, Soltn Fill, Nat (Replaced by 1060173)	1
8	621443	(10000000- 10517541)	Chain, Ball, #10, 157mml, Ss	1
9	1018155	(10000000- 10517541)	Screw, Pan, M5 X 0.8 X16, Ss, Tcut	2
10	01684	(10000000- 20000000)	Washer,Flat 0.25, Ss	3
11	07514	(10000000- 10517541)	Washer, Lock, Int, #10, Ss	1
12	140841	(10000000- 10517541)	Screw, Pan, #10- 32 X 0.62, Phl, Ss	1
13	391403	(10000000- 20000000)	Screw, Pan, M4 X 0.7 X 8, Ss	2
14	02938	(10000000- 20000000)	Washer, Lock, Int, #08, Ss	2
15	49800	(10000000- 20000000)	Latch	1
16	630428	(10000000- 20000000)	Clamp, Cable, Stl, 1.00d X 0.50w,.25mnt	3
17	1034731	(10000000- 20000000)	Screw, Hex, M6 X 1.00 X 16, Ss, Sems	5
18	1024781	(10000000- 20000000)	Label, Side [Spdscrub] (Replaced by 1064991)	2
19	222692	(10000000- 20000000)	Screw, Flt, M8 X1.25 X 25, Ss, 18- 8, NI	1
20	1027028	(10000000- 20000000)	Spacer, Guide, Tank	1
21	140960	(10000000- 20000000)	Cable, Glv .13d 014.5l .34eye /.34eye	1
22	9003653	(10000000- 20000000)	Tank Kit, Soltn [Ss5]	1
23	1028175	(10000000- 20000000)	Label, Instr [Charger Setting]	1
24	1012965	(10000000- 20000000)	Cap, Port, Soltn Fill	1
25	11399	(10000000- 20000000)	Clamp, Hose, Wormdrive, 0.81- 1.50d, .50w	1
26	1041082	(10000000- 20000000)	Fitting, Plstc, Str, Bm16/Pm12	1
27	1023809	(10000000- 20000000)	Hose, Drain, 1.00id X 22.8l, Vyl [T5]	1
28	1035711	(10000000- 20000000)	Boot, Switch, Hex Nut, .38- 32 Thd	1
29	609062	(10000000- 20000000)	Screw, Trs, M5 X 0.80 X 12, Phl, Ss	2
30	1026571	(10000000- 20000000)	Bracket, Hose, Cable Stay	1
31	1071996	(10000000- 20000000)	Switch, Push, Snap Action, 25a	1
32	1050019	(10378380- 20000000)	Label, Side, Ec- H2o [Ss3/Ss5/Ssrider] (NLA - Rpld by 1064823 - see Recovery Tank Group)	2
33	1050020	(10378380- 20000000)	Label, Front, Ec- H2o [Ss5] (NLA - No Longer Available)	1
34	1060173	(10517542- 20000000)	Cover Assy, Tank, Soltn Fill	1

CONTROL CONSOLE GROUP



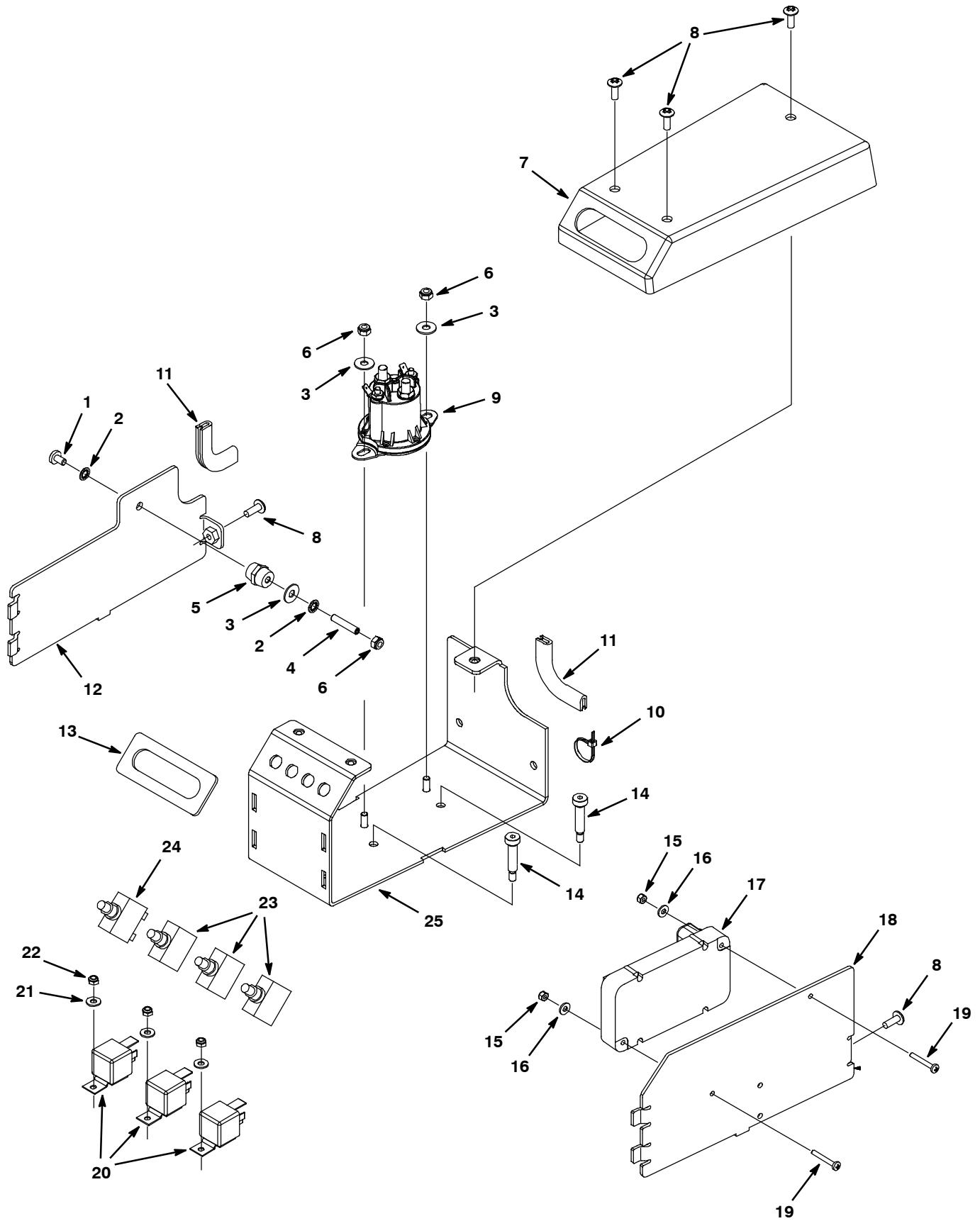
CONTROL CONSOLE GROUP

Ref.	Part No.	Serial Number	Description	Qty.	
1	1009324	(10000000-20000000)	Screw, Pan, #10- 16 X 0.50, Phl, Blk [Ty- 17]	8	
2	1041318	(10000000-20000000)	Gauge, Press, Brush, Afmkt 0- 20- 40a [Ss5]	1	
3	1007012	(10000000-20000000)	Switch, Rocker, Dpdt Mom/Off/Mom	1	
4	1025114	(10000000-20000000)	Label, Opertnl, Upper (Standard & Fast Models)	1	
4	1050010	(10378380-20000000)	Label, Console, Upper Ec- H2o [T5e/Ss5]	1	
5	1041719	(10000000-20000000)	Panel, Opertnl, Upper [Ss5]	1	
6	01683	(10000000-20000000)	Washer, Flat, #10, Ss	1	
7	09739	(10000000-20000000)	Nut, Hex, Lock, M5 X 0.80, NI, Ss	1	
8	392894	(10000000-20000000)	Gauge, Discharge, Battery, 36vdc, Rt, Led	1	
9	579211	(10000000-20000000)	Nut, Hex, Lock, M3 X 0.50, Ss	2	
▽	10	1063175	(10000000-20000000)	Controlbox Assy, Trigger, Rh	1
▽	11	1063198	(10000000-20000000)	Controlbox Assy, Trigger, Lh	1
▲	12	9010860	(10000000-20000000)	Switch Kit, W/ Washers, Fr/ F/1072041	2
	13	02938	(10000000-20000000)	Washer, Lock, Int, #08, Ss	6
	14	33931	(10000000-20000000)	Screw, Pan, Phl, M4 X 0.70 X 30, Ss	6
	15	130161	(10000000-20000000)	Plug, Hole, Rnd, 0.875d, Blk	1
	16	1011735	(10000000-20000000)	Switch, Safety, Shutoff (Optional)	1
	17	1026407	(10000000-20000000)	Grip, Handle, 1.25d X 4.75l	2
	18	130753	(10000000-20000000)	Boot, Switch 1.00l Blk	1
	19	601108	(10000000-20000000)	Switch, Toggle, Mom/On/On	1
	20	9003654	(10000000-20000000)	Housing Kit, Cntrl [Ss5]	1
▽	21	1011402	(10000000-20000000)	Switch, Key	1
▲	22	1017696	(10000000-20000000)	Key, Replmt [F/ Keyswitch 1011402]	1
	23	582150	(10000000-20000000)	Plug, Hole, Rt, 1.23 X 1.12, Nyl	2
	24	130787	(10000000-20000000)	Switch, Rocker, Spdt (Optional)	2
	25	1025116	(10000000-20000000)	Label, Opertnl, Lower (Standard & Fast Models)	1
	25	1050011	(10378380-20000000)	Label, Console, Lower, Ec- H2o [T5e/Ss5]	1
	26	1024111	(10000000-20000000)	Panel, Instmt, Lower	1
	27	1020341	(10000000-20000000)	Screw, Hex, M8 X 1.25 X 20, Ss, Sems	4
	28	01685	(10000000-20000000)	Washer, Flat, 0.31, Ss	4
	29	607461	(10000000-20000000)	Screw, Set, M8 X 1.25 X 35, NI	4
	30	608562	(10000000-20000000)	Washer, Flat, 0.51b 0.94d .06, Nyl	8
	31	1022888	(10000000-20000000)	Bracket, Mtg, Console	1
	32	607783	(10000000-20000000)	Bearing, Sleeve, .31id X .50od X .25, Bnz	4
	33	08709	(10000000-20000000)	Nut, Hex, Lock, M8 X 1.25, NI	4
	34	607006	(10000000-20000000)	Screw, Trs, M4 X 0.70 X 12, Phl, PI	4
	35	630087	(10000000-20000000)	Plate, Latch, Retainer	1
	36	630084	(10000000-20000000)	Ring, Retaining, Ext, 4.62mm, [E- Ring]	1
	37	630083	(10000000-20000000)	Bushing, Latch	2
	38	630082	(10000000-20000000)	Spring, Cmpr, 10.7d, 0.9w, 44.4l, PI[Mw]	1
	39	630081	(10000000-20000000)	Lever, Latch, Console Adjust	1
	40	630094	(10000000-20000000)	Cap, Vinyl, 2.26 ld X 12.7lg, Blk	1
	41	1026699	(10000000-20000000)	Bracket, Retaining	1
	42	1064038	(10000000-20000000)	Gauge, Hourmeter, 05- 277 Volt, Ac / Dc	1
	43	1042687	(10000000-20000000)	Harness, Pot, Wire Assy [45k Ohm]	1
	44	1028037	(10000000-20000000)	Knob, 1.25 Dia	1
	45	130773	(10000000-20000000)	Tie, Cable, Nyl, 11.0l, .14w, 3.0 Max. D	1
	46	1041822	(10378380-20000000)	Light, Led, .312D, 5 Volt [Tri- Color] (ec-H2O Model)	1

▽ ASSEMBLY

▲ INCLUDED IN ASSEMBLY

COMPONENT PANEL GROUP (S/N 10722199-)



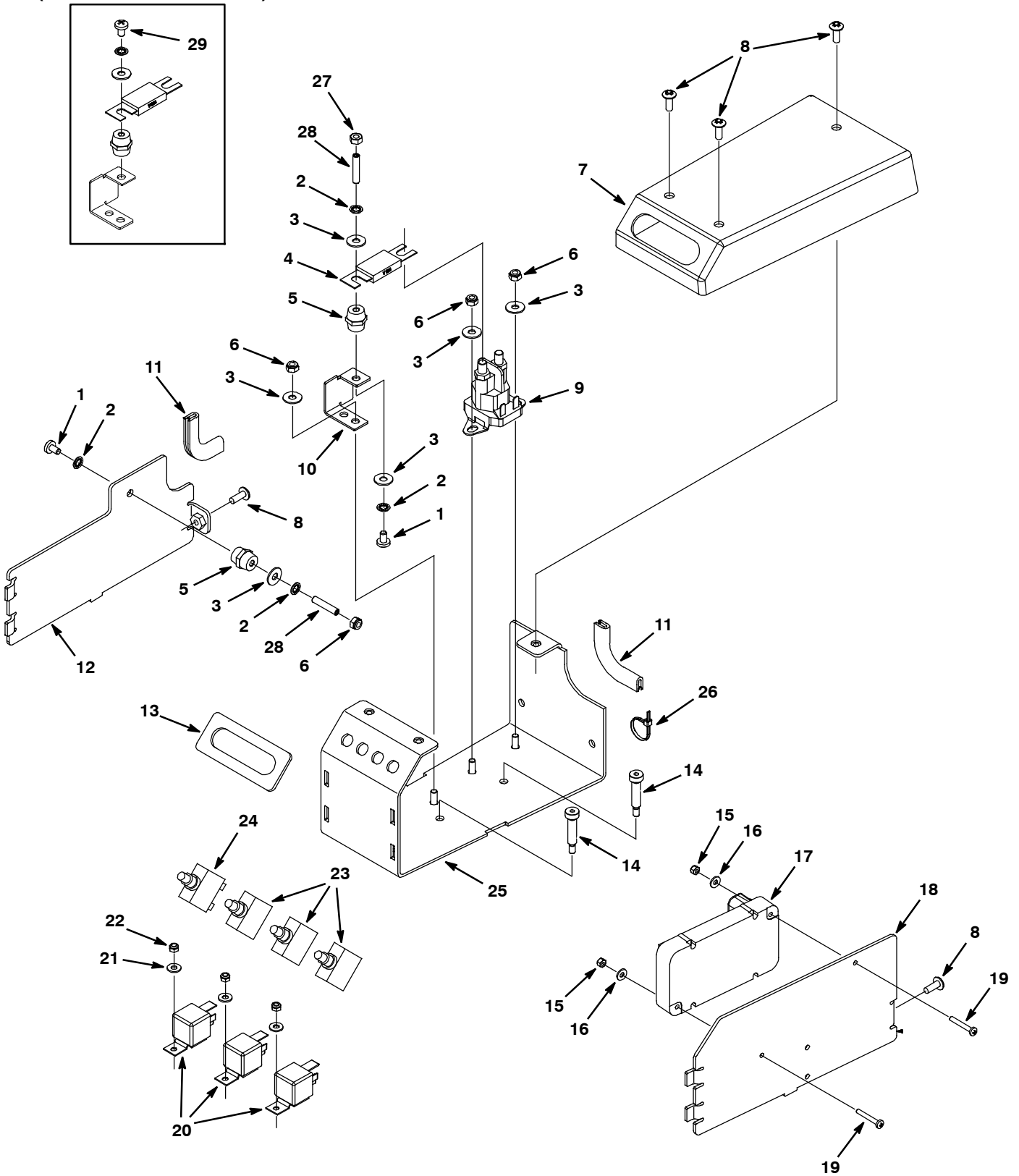
COMPONENT PANEL GROUP (S/N 10722199-)

Ref.	Part No.	Serial Number	Description	Qty.
1	48732	(10722199- 20000000)	Screw, Pan, M6 X 1.0 X 10, Ss	1
2	07515	(10722199- 20000000)	Washer, Lock, Int, 0.25, Ss	2
3	01684	(10722199- 20000000)	Washer, Flat, 0.25, Ss	3
4	1018559	(10722199- 20000000)	Screw, Set, M6 X 1.0 X 30, Ss	1
5	1013523	(10722199- 20000000)	Stand- Off, Wir, M6, 18 Hex, 20l, Insul	1
6	08712	(10000000- 20000000)	Nut, Hex, Lock, M6 X 1.00, Ss, NI	4
7	1024712	(10000000- 20000000)	Cover, Electronics	1
8	608322	(10000000- 20000000)	Screw, Trs, M6 X 1.00 X 16, Phl, Ss	5
9	1066409	(10722199- 20000000)	Relay, 24vdc, 150a, No [Trombetta]	1
10	130773	(10000000- 20000000)	Tie, Cable, Nyl, 11.0l, .14w, 3.0 Max. D	1
11	1027209	(10000000- 20000000)	Trim, Edge, Plstc, .12 X 65mm	2
12	1026777	(10000000- 20000000)	Brkt, Side, Rh	1
13	1025658	(10000000- 20000000)	Gasket, Cover, Electronics	1
14	1024965	(10000000- 20000000)	Bolt, Shld, 08mmd X 030mm, M06 X 1.0	2
15	33932	(10000000- 20000000)	Nut, Hex, Lock, M4 X 0.70, NI, Ss	2
16	41579	(10000000- 20000000)	Washer, Flat, #08, Ss	2
17	1052261	(10000000- 20000000)	Module, Cntrl, Drive [Ss5]	1
18	1029123	(10000000- 20000000)	Brkt, Side, Lh	1
19	33931	(10000000- 20000000)	Screw, Pan, M4 X 0.7 X 30, Ss	2
20	1012216	(10000000- 20000000)	Relay, 24vdc, 070a, Spst No, Plug- In	3
21	01683	(10000000- 20000000)	Washer, Flat, #10, Ss	3
22	09739	(10000000- 20000000)	Nut, Hex, Lock, M5 X 0.80, NI, Ss	3
23	383724	(10000000- 20000000)	Circuitbreaker, 25.0a, Resetable	3
24	383721	(10000000- 20000000)	Circuitbreaker, 10.0a	1
25	1072645	(10722199- 20000000)	Panel, Instmt [Ss5] Trombetta	1

STANDARD PARTS

COMPONENT PANEL GROUP (S/N 1000000-10722198)

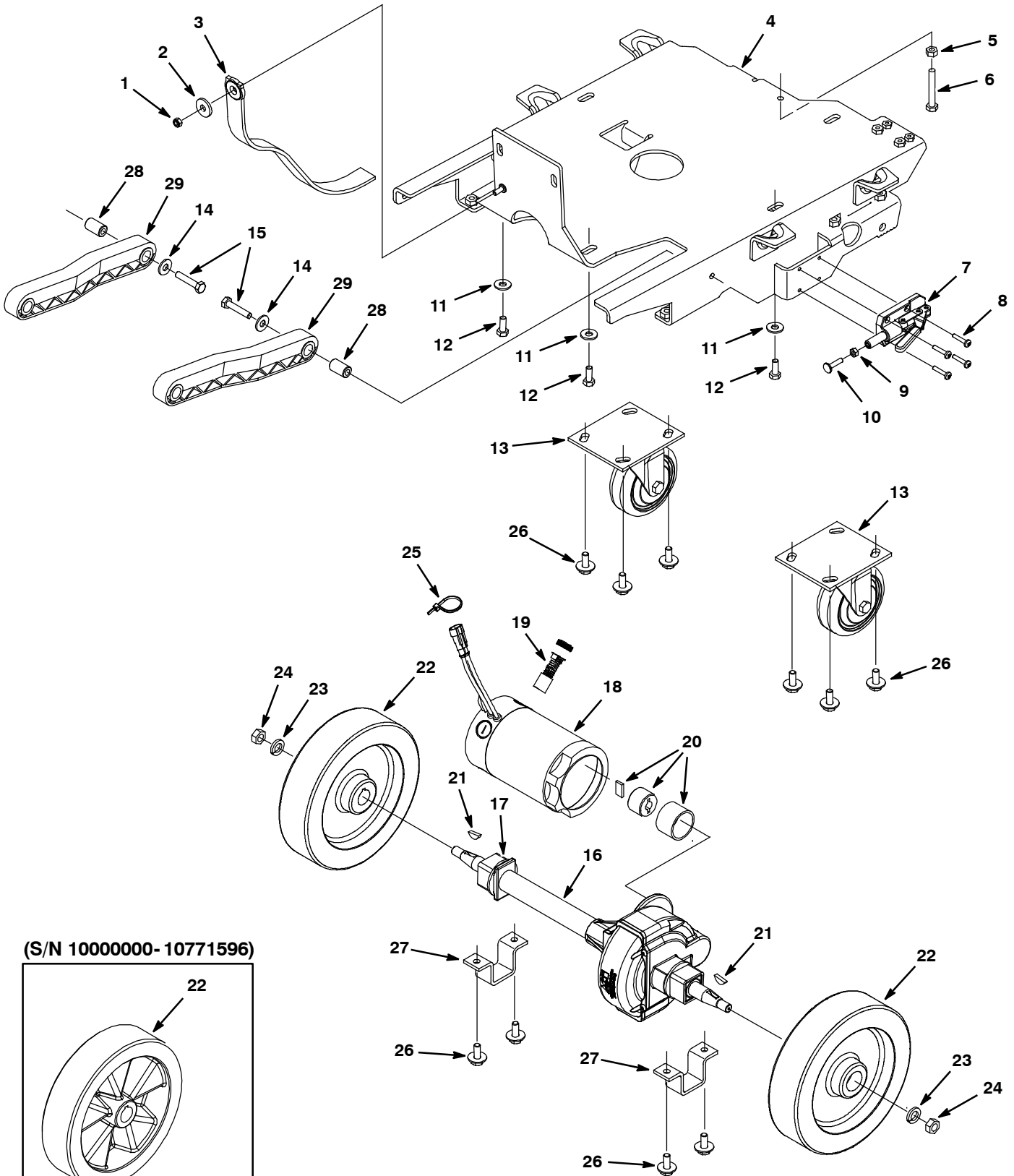
(S/N 1000000-10473939)



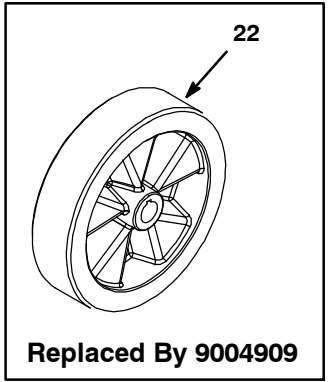
COMPONENT PANEL GROUP (S/N 1000000- 10722198)

Ref.	Part No.	Serial Number	Description	Qty.
1	48732	(10473940- 10722198)	Screw, Pan, M6 X 1.0 X 10, Ss	2
2	07515	(10000000- 10722198)	Washer, Lock, Int, 0.25, Ss	4
3	01684	(10000000- 10722198)	Washer, Flat, 0.25, Ss	6
4	86379	(10000000- 10722198)	Fuse, 100a 125volt 0.88 X 3.2l	1
5	1013523	(10000000- 10722198)	Stand- Off, Wir, M6, 18 Hex, 20l, Insul	2
6	08712	(10000000- 10722198)	Nut, Hex, Lock, M6 X 1.00, Ss, NI	4
7	1024712	(10000000- 20000000)	Cover, Electronics	1
8	608322	(10000000- 20000000)	Screw, Trs, M6 X 1.00 X 16, Phl, Ss	5
9	1038490	(10000000- 10722198)	Relay, 24vdc, 100a, No [Trombetta]	1
10	1023868	(10000000- 10722198)	Bracket, Stand- Off	1
11	1027209	(10000000- 20000000)	Trim, Edge, Plstc, .12 X 65mm	2
12	1026777	(10000000- 20000000)	Brkt, Side, Rh	1
13	1025658	(10000000- 20000000)	Gasket, Cover, Electronics	1
14	1024965	(10000000- 20000000)	Bolt, Shld, 08mmd X 030mm, M06 X 1.0	2
15	33932	(10000000- 20000000)	Nut, Hex, Lock, M4 X 0.70, NI, Ss	2
16	41579	(10000000- 20000000)	Washer, Flat, #08, Ss	2
17	1052261	(10000000- 20000000)	Module, Cntrl, Drive [Ss5]	1
18	1029123	(10000000- 20000000)	Brkt, Side, Lh	1
19	33931	(10000000- 20000000)	Screw, Pan, M4 X 0.7 X 30, Ss	2
20	1012216	(10000000- 20000000)	Relay, 24vdc, 070a, Spst No, Plug- In	3
21	01683	(10000000- 20000000)	Washer, Flat, #10, Ss	3
22	09739	(10000000- 20000000)	Nut, Hex, Lock, M5 X 0.80, NI, Ss	3
23	383724	(10000000- 20000000)	Circuitbreaker, 25.0a, Resetable	3
24	383721	(10000000- 20000000)	Circuitbreaker, 10.0a	1
25	1026776	(10000000- 10722198)	Wldt, Panel, Elec	1
26	130773	(10000000- 20000000)	Tie, Cable, Nyl, 11.0l, .14w, 3.0 Max. D	1
27	07785	(10473940- 10722198)	Nut, Hex, Std, M6 X 1.00, Ss	1
28	1018559	(10473940- 10722198)	Screw, Set, M6 X 1.0 X 30, Ss	2
29	48732	(10000000- 10473939)	Screw, Pan, M6 X 1.0 X 10, Ss (Replaced By #27 & 28)	1

FRAME GROUP



(S/N 1000000- 10771596)



Replaced By 9004909

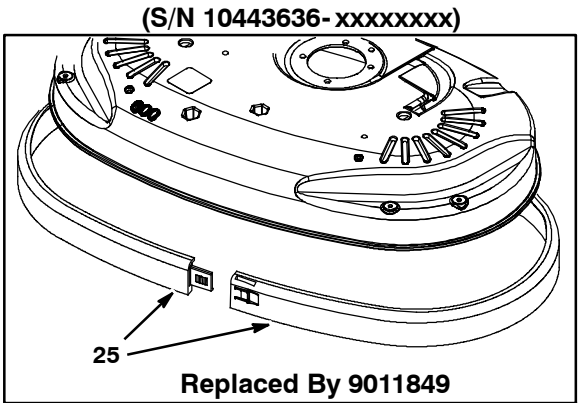
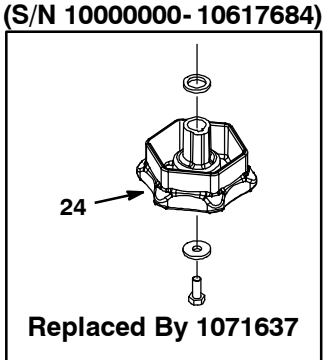
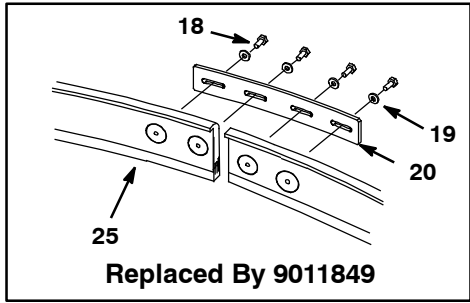
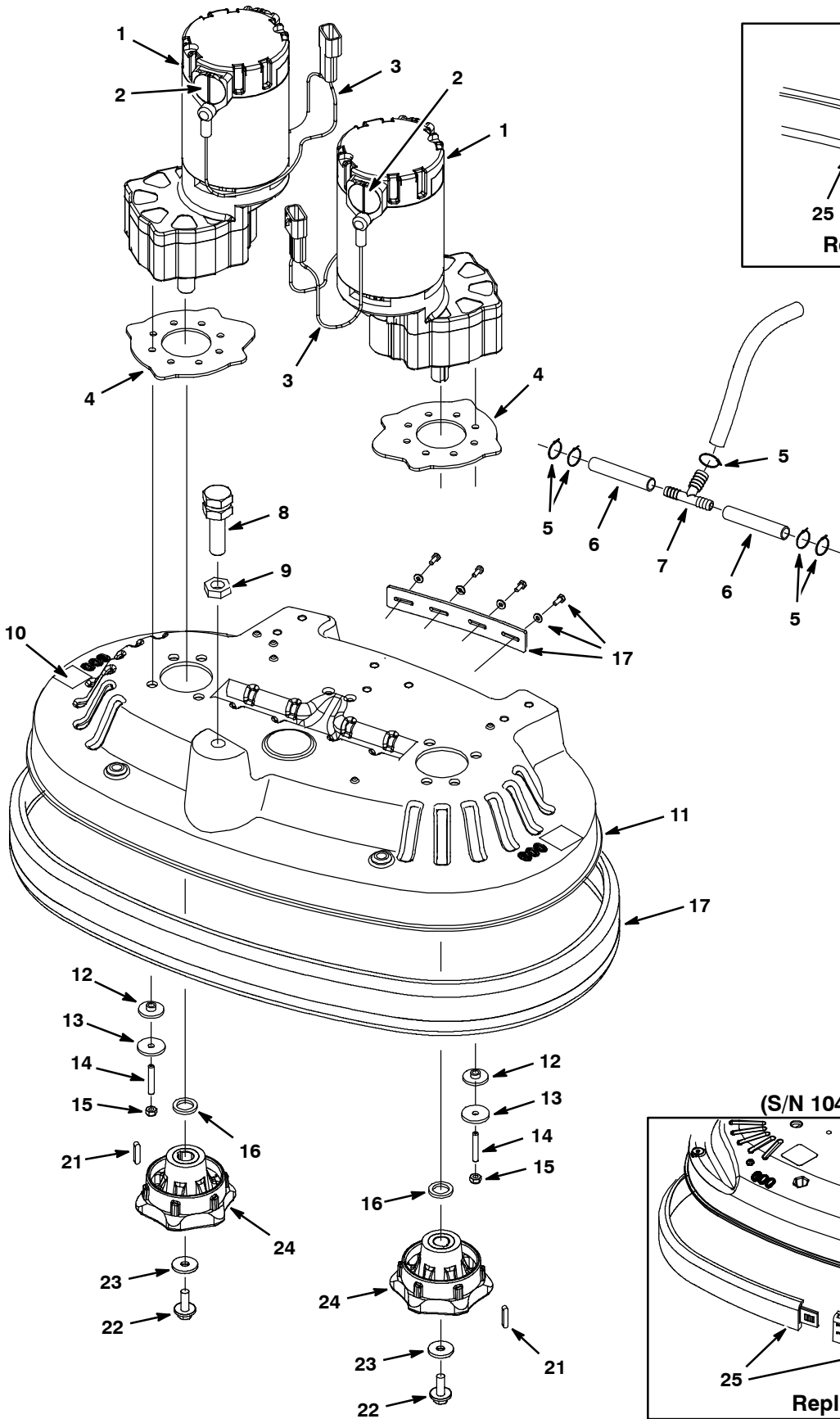
FRAME GROUP

Ref.	Part No.	Serial Number	Description	Qty.	
1	08712	(10000000- 20000000)	Nut, Hex, Lock, M6 X 1.0, Ss, NI	1	
2	140053	(10000000- 20000000)	Washer, Flat, 0.28b 0.88d .12, Ss	1	
3	1029181	(10000000- 20000000)	Strap, Static	1	
4	1020959	(10000000- 20000000)	Frame Wldt, Transaxle	1	
5	07786	(10000000- 20000000)	Nut, Hex, Std, M8 X 1.25, Ss	1	
6	222504	(10000000- 20000000)	Screw, Hex, M8 X 1.25 X 55, Ss	1	
7	1022878	(10000000- 20000000)	Clamp, Str, 30mm Strk (Optional)	1	
8	1030769	(10000000- 20000000)	Screw, Pan, M5 X 0.8 X 25 Fmg	4	
9	07785	(10000000- 20000000)	Nut, Hex, Std, M6 X 1.0, A2, Ss	1	
10	1017416	(10000000- 20000000)	Screw, Weld, M06 X 1.00 X 25, Thru, Ss	1	
11	1016331	(10000000- 20000000)	Washer, Flat, 0.34b 1.25d .11, Ss	5	
12	12273	(10000000- 20000000)	Screw, Hex, M8 X 1.25 X 20, Ss, NI	5	
13	1049048	(10000000- 20000000)	Caster, Swivel, 4.0d 1.4w, 4hole [400lb]	2	
14	01685	(10000000- 20000000)	Washer, Flat, 0.31 Ss	2	
15	74440	(10000000- 20000000)	Screw, Hex, M8 X 1.25 X 40, Ss, NI	2	
▽	16	1021168	(10000000- 20000000)	Transaxle, 24vdc, 110rpm [Asi]	1
▲	17	612880	(10000000- 20000000)	Sleeve, Transaxle, Replmt	2
▲▽	18	1031723	(10000000- 20000000)	Motor, Transaxle, 24vdc, Replmt, Asi	1
▲▲	19	614166	(10000000- 20000000)	Brush Kit, Carbon [Qty 4]	1
▲	20	1017782	(10000000- 20000000)	Coupling Kit, Transaxle, Replmt [11057]	1
▲	21	1021167	(10000000- 20000000)	Key, Woodruff, 5mm	2
▽		9004909	(10000000- 20000000)	Wheel Kit, Solid, Ci [T5 T5e Ss5]	1
▲	22	1223583	(10819239-)	Wheel, Scrbr, 213mm, W/ Taper	2
	22	1218753	(10771597- 10819238)	Wheel, Scrbr, 213mm, W/ Taper (Replaced by 9004909)	2
	22	1020688	(10000000- 10771596)	Wheel, Scrbr, 213.00mm With Taper (Replaced by 9004909)	2
	23	140024	(10000000- 20000000)	Washer, Lock, Splt, 0.50, Ss	2
	24	07788	(10000000- 20000000)	Nut, Hex, Std, M12 X 1.75, Ss	2
	25	130773	(10000000- 20000000)	Tie, Cable, Nyl, 11.0l, .14w, 3.0 Max. D	4
	26	1020341	(10000000- 20000000)	Screw, Hex, M8 X 1.25 X 20, Ss, Sems	12
	27	606001	(10000000- 20000000)	Bracket, Transaxle, Mtg, Ylw Zn	2
	28	606056	(10000000- 20000000)	Tube, 00.62d 00.32b 01.0l Stl Plt	2
	29	222027	(10000000- 20000000)	Arm, Lift, Head,	2

▽ ASSEMBLY

▲ INCLUDED IN ASSEMBLY

SCRUB HEAD GROUP, DISK 24 in / 600 mm



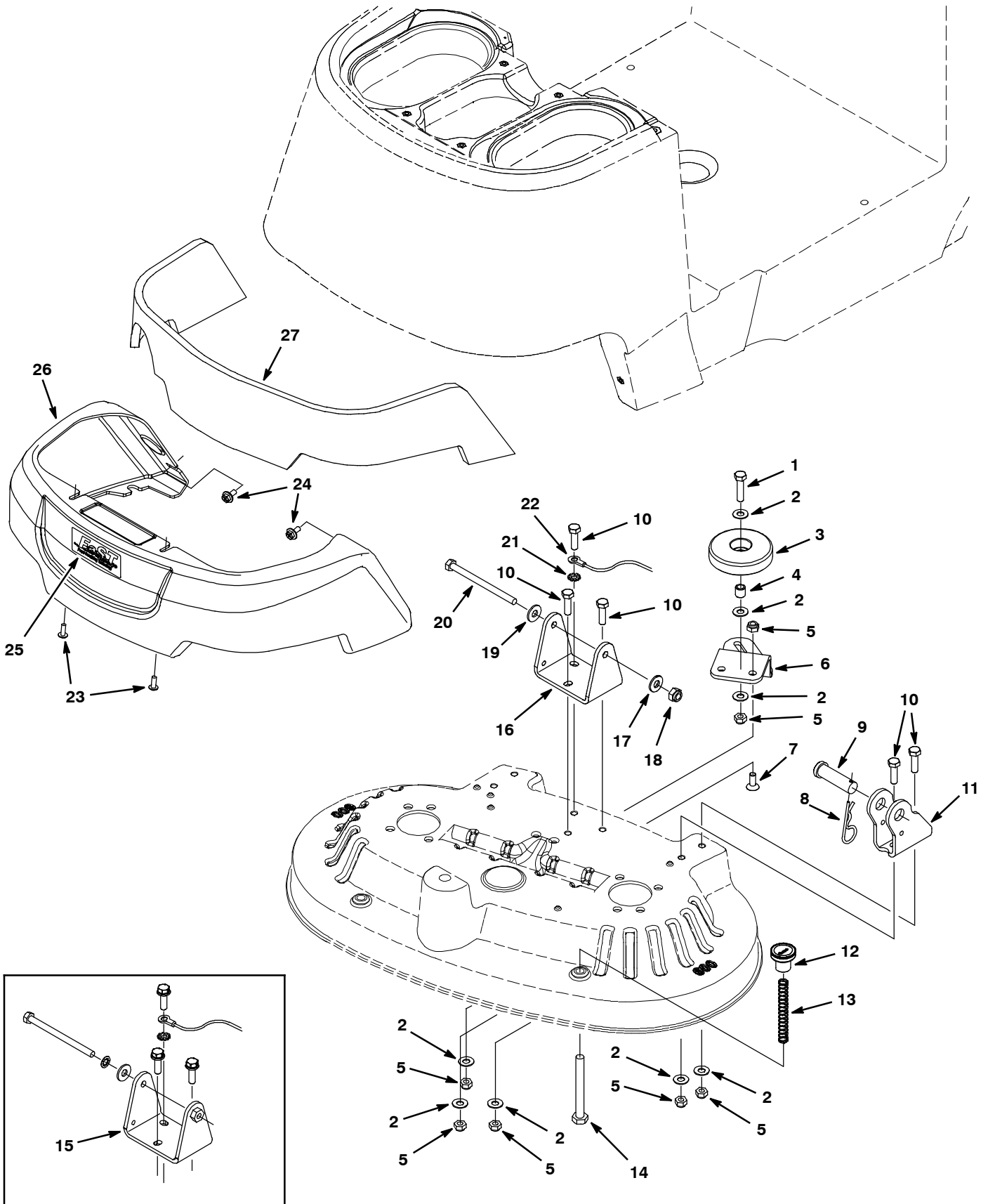
SCRUB HEAD GROUP, DISK 24 in / 600 mm

Ref.	Part No.	Serial Number	Description	Qty.
▽	1	1023067	(10000000- 20000000) Motor, Gearbox,24vdc, 220rpm, 0.75hp	2
▲	2	1031775	(10000000- 20000000) Brush, Brush- Motor, Afmkt	1
▲	3	1031681	(10000000- 20000000) Harness, Connector, Brush- Motor- Us	1
	4	1024321	(10000000- 20000000) Spacer, Rbr, Motor	2
	5	130773	(10000000- 20000000) Tie, Cable, Nyl, 11.0l, .14w, 3.0 Max. D	7
	6	606362	(10000000- 20000000) Hose 3/8IdX5/8OdX6.5 (611254)	2
	7	1022556	(10000000- 20000000) Fitting, Plstc, Tee, Bm06/Bm06/Bm08	1
	8	1022424	(10000000- 20000000) Stud, Adj, M16, Scrub Head	1
	9	763066	(10000000- 20000000) Nut, Hex, Jam, M16 X 2.0	1
	10	578769	(10000000- 20000000) Label, Moving Parts	2
	11	1022402	(10000000- 20000000) Housing, Casting, Head, 60cm, Mach	1
	12	1025160	(10000000- 20000000) Grommet, Isolator, 6b X 10od X 26.0fl	8
	13	386063	(10000000- 20000000) Washer, Flat, 0.25b 1.12d .12, Ss	8
	14	1025853	(10000000- 20000000) Screw, Set, M6 X 1.00 X 35, Ss, NI	8
	15	08712	(10000000- 20000000) Nut, Hex, Lock, M6 X 1.0, Ss, NI	8
	16	1022549	(10000000- 20000000) Spacer, Shaft, 17.15b, 25.0d, 3.0t	2
	17	9011849	(xxxxxxx- 20000000) Bumper, Head, 60cm, Bristle Skirt (Includes Mounting Hardware & Retaining Strap)	1
	18	1020234	(10000000- 10443635) Screw, Hex, M4 X 0.7 X 10, Ss	4
	19	41578	(10000000- 10443635) Washer, Flat, #06 Ss	4
	20	1023573	(10000000- 10443635) Strap, Retaining, Skirt (Replaced by 9011849)	1
	21	1014328	(10000000- 20000000) Key, Sq, 05mm X 05mm, 25l	2
	22	1072628	(10000000- 20000000) Screw, Hex, M8 X 1.25 X 25, Ss, Sems	2
	23	1017218	(10000000- 20000000) Washer, Flat, 0.32b 1.00d .12, Ss	2
	24	1071637	(10617685- 20000000) Hub, Drive, Brush, Disk, 17mmb	2
	24	1022550	(10000000- 10617684) Hub, Drive, Brush, Disk, 17mm (Replaced by 1071637)	2
	25	1053609	(10443636- xxxxxxxx) Bumper, Head, 60cm, Bristle Skirt (Replaced by 9011849)	1
	25	1024938	(10000000- 10443635) Bumper, Head, 60cm, Bristle Skirt, Assy (Replaced by 9011849)	1

▽ ASSEMBLY

▲ INCLUDED IN ASSEMBLY

SCRUB HEAD GROUP, DISK 24 in / 600 mm - CONT'D



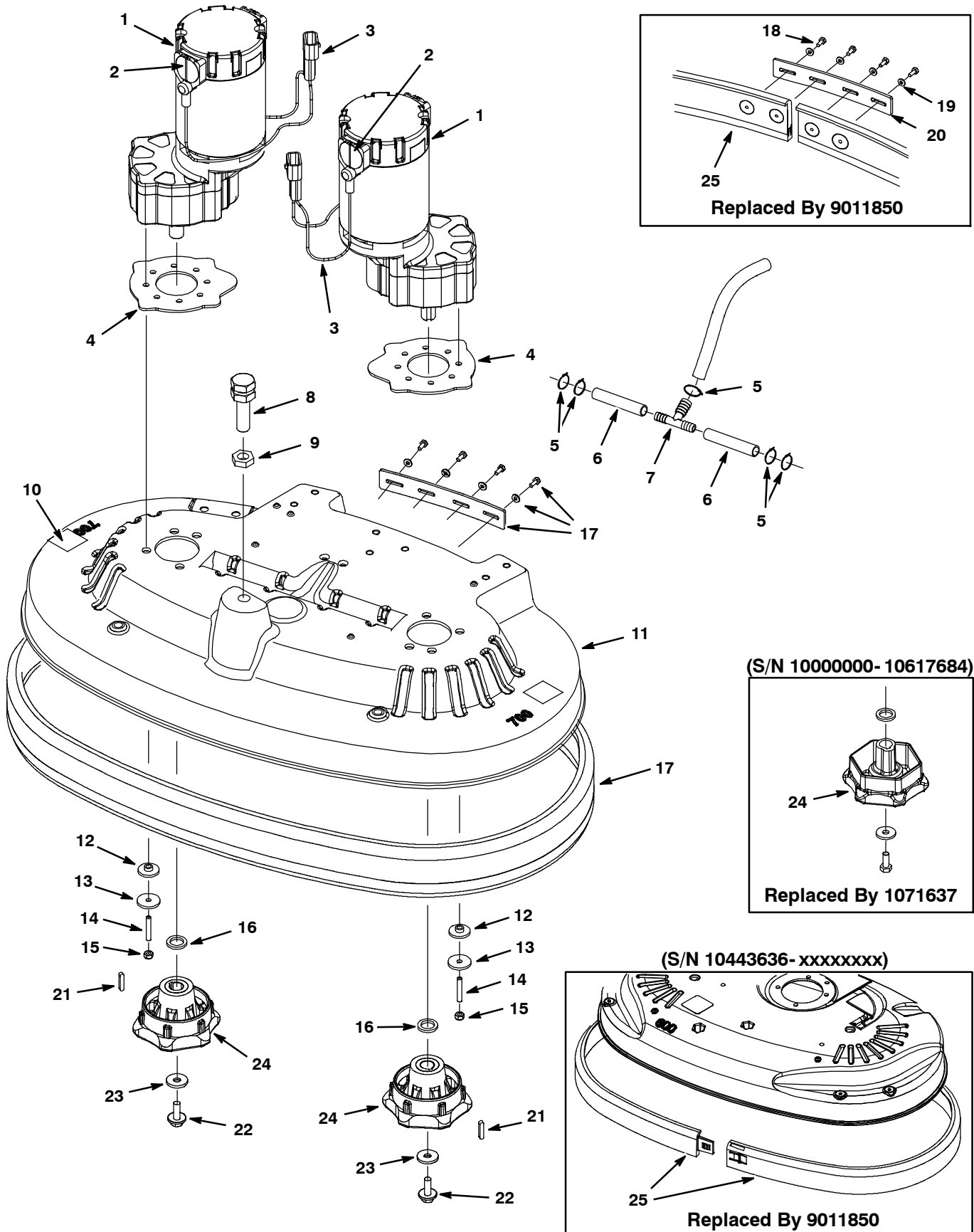
SCRUB HEAD GROUP, DISK 24 in / 600 mm - CONT'D

Ref.	Part No.	Serial Number	Description	Qty.	
1	09023	(10000000- 20000000)	Screw, Hex, M8 X 1.25 X 35, Ss, Fl	1	
2	140027	(10000000- 20000000)	Washer, Flat, 0.35b 0.75d .04, Ss	10	
3	1010560	(10000000- 20000000)	Wheel, Bmpr, 80d X 25w, Non- Marking	1	
4	222460	(10000000- 20000000)	Sleeve, P/M, 0.496d 0.318b 0.50l 430ss	1	
5	08713	(10000000- 20000000)	Nut, Hex, Lock, M8 X 1.25, Ni, Ss	10	
6	1022344	(10000000- 20000000)	Bracket, Roller, Wall, Scrubhead, 60cm	1	
7	79246	(10000000- 20000000)	Screw, Flt, M8 X 1.25 X 20, Ss 18- 8	2	
8	02942	(10000000- 20000000)	Pin, Hair Cotter, 0.62 D .120 Wir	2	
9	222210	(10000000- 20000000)	Pin, Clevis, 0.62 D X 2.12l	2	
10	09011	(10000000- 20000000)	Screw, Hex, M8 X 1.25 X 30, Ss	7	
11	1022227	(10000000- 20000000)	Bracket, Link, Scrubhead	2	
12	1024179	(10000000- 20000000)	Knob, Knurled, M10 Thread	2	
13	626081	(10000000- 20000000)	Spring, Cmpr, 12.1d, 0.9w, 90.0l	2	
14	09746	(10000000- 20000000)	Screw, Hex, M10 X 1.5 X 90, Ss	2	
15	N/A	(10000000- 10325113)	(Replaced By Items #16, 17, & 18)	1	
16	1036022	(10325114- 20000000)	Bracket, Mtg, Actuator, Scb Head	1	
17	01685	(10325114- 20000000)	Washer, Flat, 0.31 Ss	1	
18	08713	(10325114- 20000000)	Nut, Hex, Lock, M8 X 1.25, Ni, Ss	1	
19	01685	(10000000- 20000000)	Washer, Flat, 0.31 Ss	1	
20	364441	(10000000- 20000000)	Screw, Hex, M8 X 1.25 X 110, Ss	1	
21	43952	(10000000- 20000000)	Washer, Lock, Int, 0.31, Ss	1	
22	1031370	(10000000- 20000000)	Wire, 12 Awg X 250mm	1	
23	608322	(10000000- 20000000)	Screw, Trs, M6 X 1.0 X 16, Phl, Ss	2	
24	1034731	(10000000- 20000000)	Screw, Hex, M6 X 1.00 X 16, Ss, Sems	2	
25	1034921	(10000000- 20000000)	Label, Logo, White/Black, 4.00l [Fast] (NLA - No Longer Available)	1	
▽	26	9003252	(10000000- 20000000)	Cover Kit, Head, Disc, Replmt [Ss5]	1
▲	27	1027068	(10000000- 20000000)	Insulation, Sound, Front	1

▽ ASSEMBLY

▲ INCLUDED IN ASSEMBLY

SCRUB HEAD GROUP, DISK 28 in / 700 mm



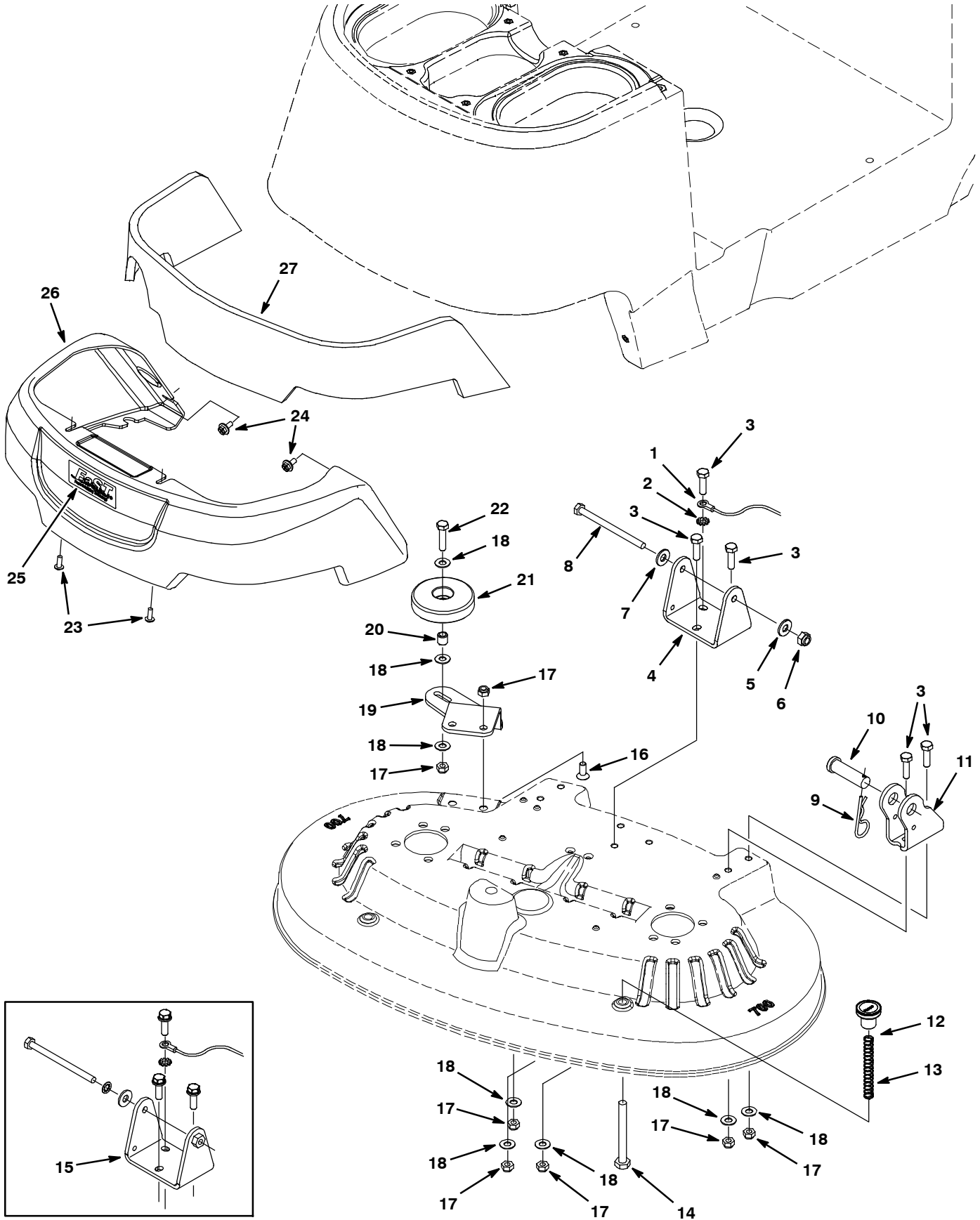
SCRUB HEAD GROUP, DISK 28 in / 700 mm

Ref.	Part No.	Serial Number	Description	Qty.
▽	1	1023067	(10000000- 20000000) Motor, Gearbox,24vdc, 220rpm, 0.75hp	2
▲	2	1031775	(10000000- 20000000) Brush, Brush- Motor, Afmkt	1
▲	3	1031681	(10000000- 20000000) Harness, Connector, Brush- Motor- Us	1
	4	1024321	(10000000- 20000000) Spacer, Rbr, Motor	2
	5	130773	(10000000- 20000000) Tie, Cable, Nyl, 11.0l, .14w, 3.0 Max. D	7
	6	606362	(10000000- 20000000) Hose 3/8IdX5/8OdX6.5 (611254)	2
	7	1022556	(10000000- 20000000) Fitting, Plstc, Tee, Bm06/Bm06/Bm08	1
	8	1022424	(10000000- 20000000) Stud, Adj, M16, Scrub Head	1
	9	763066	(10000000- 20000000) Nut, Hex, Jam, M16 X 2.0	1
	10	578769	(10000000- 20000000) Label, Moving Parts	2
	11	1023182	(10000000- 20000000) Housing, Casting, Head, 70cm, Mach	1
	12	1025160	(10000000- 20000000) Grommet, Isolator, 6b X 10od X 26.0fl	8
	13	386063	(10000000- 20000000) Washer, Flat, 0.25b 1.12d .12, Ss	8
	14	1025853	(10000000- 20000000) Screw, Set, M6 X 1.00 X 35, Ss, NI	8
	15	08712	(10000000- 20000000) Nut, Hex, Lock, M6 X 1.0, Ss, NI	8
	16	1022549	(10000000- 20000000) Spacer, Shaft, 17.15b, 25.0d, 3.0t	2
	17	9011850	(xxxxxxx- 20000000) Bumper, Head, 70cm, Bristle Skirt (Includes Mounting Hardware & Retaining Strap)	1
	18	1020234	(10000000- 10446231) Screw, Hex, M4 X 0.7 X 10, Ss	4
	19	41578	(10000000- 10446231) Washer, Flat, #06 Ss	4
	20	1023573	(10000000- 10446231) Strap, Retaining, Skirt (Replaced by 9011850)	1
	21	1014328	(10000000- 20000000) Key, Sq, 05mm X 05mm, 25l	2
	22	1072628	(10000000- 20000000) Screw, Hex, M8 X 1.25 X 25, Ss, Sems	2
	23	1017218	(10000000- 20000000) Washer, Flat, 0.32b 1.00d .12, Ss	2
	24	1071637	(10617685- 20000000) Hub, Drive, Brush, Disk, 17mmb	2
	24	1022550	(10000000- 10617684) Hub, Drive, Brush, Disk, 17mm (Replaced by 1071637)	2
	25	1053613	(10446232- xxxxxxxx) Bumper, Head, 70cm, Bristle Skirt (Replaced by 9011850)	1
	25	1023802	(10000000- 10446231) Bumper, Head, 70cm, Bristle Skirt, Assy (Replaced by 9011850)	1

▽ ASSEMBLY

▲ INCLUDED IN ASSEMBLY

SCRUB HEAD GROUP, DISK 28 in / 700 mm - CONT'D



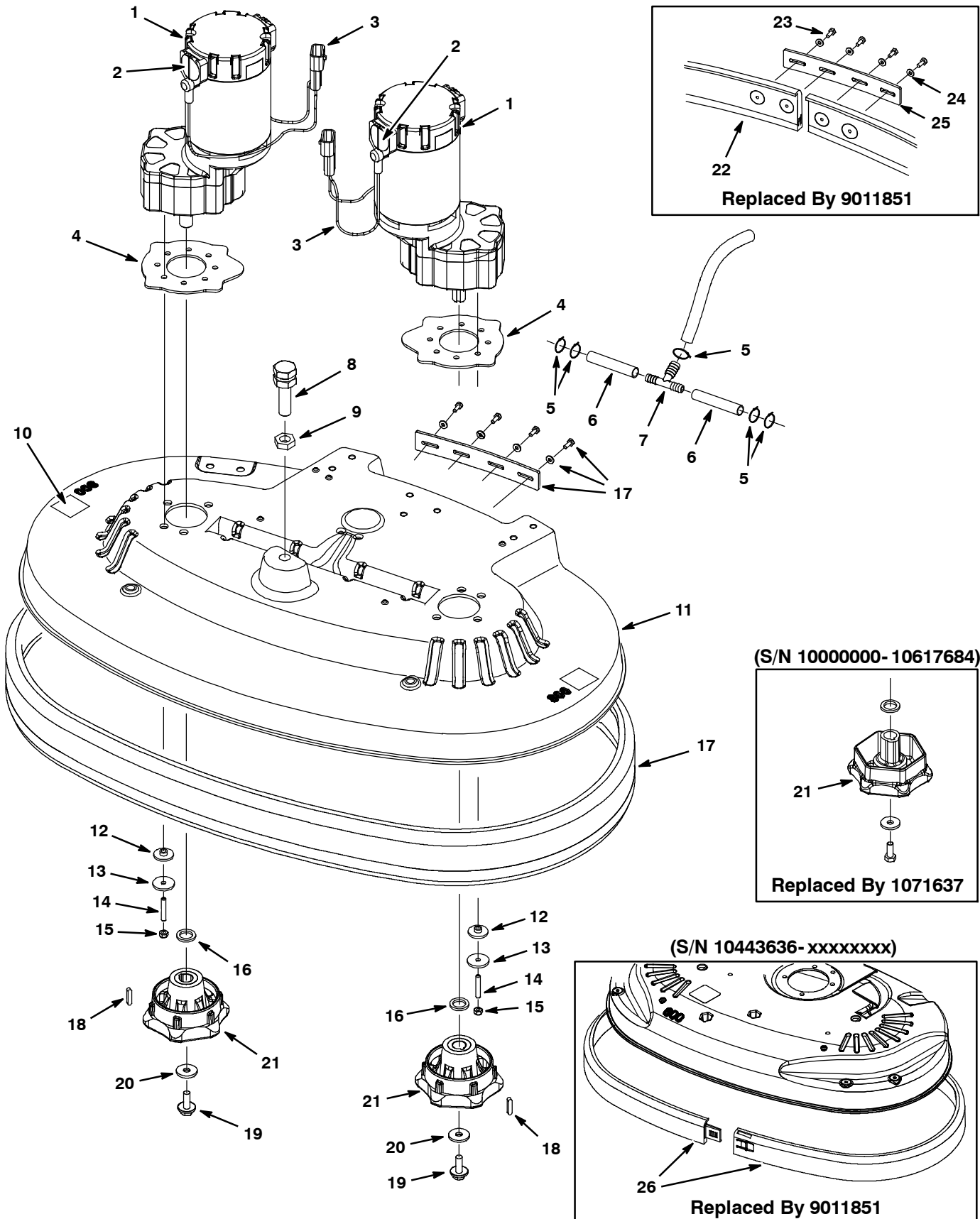
SCRUB HEAD GROUP, DISK 28 in / 700 mm - CONT'D

Ref.	Part No.	Serial Number	Description	Qty.	
1	1031370	(10000000- 20000000)	Wire, 12 Awg X 250mm	1	
2	43952	(10000000- 20000000)	Washer, Lock, Int, 0.31, Ss	1	
3	09011	(10000000- 20000000)	Screw, Hex, M8 X 1.25 X 30, Ss	7	
4	1036022	(10325114- 20000000)	Bracket, Mtg, Actuator, Scb Head	1	
5	01685	(10325114- 20000000)	Washer, Flat, 0.31 Ss	1	
6	08713	(10325114- 20000000)	Nut, Hex, Lock, M8 X 1.25, NI, Ss	1	
7	01685	(10000000- 20000000)	Washer, Flat, 0.31 Ss	1	
8	364441	(10000000- 20000000)	Screw, Hex, M8 X 1.25 X 110, Ss	1	
9	02942	(10000000- 20000000)	Pin, Hair Cotter, 0.62 D .120 Wir	2	
10	222210	(10000000- 20000000)	Pin, Clevis, 0.62 D X 2.12l	2	
11	1022227	(10000000- 20000000)	Bracket, Link, Scrubhead	2	
12	1024179	(10000000- 20000000)	Knob, Knurled, M10 Thread	2	
13	626081	(10000000- 20000000)	Spring, Cmpr, 12.1d, 0.9w, 90.0l	2	
14	09746	(10000000- 20000000)	Screw, Hex, M10 X 1.5 X 90, Ss	2	
15	N/A	(10000000- 10325113)	(Replaced By Items #4, 5, & 6)	1	
16	79246	(10000000- 20000000)	Screw, Flt, M8 X 1.25 X 20, Ss 18- 8	2	
17	08713	(10000000- 20000000)	Nut, Hex, Lock, M8 X 1.25, NI, Ss	10	
18	140027	(10000000- 20000000)	Washer, Flat, 0.35b 0.75d .04, Ss	10	
19	1023268	(10000000- 20000000)	Bracket, Roller, Wall, Scb Head, 70cm	1	
20	222460	(10000000- 20000000)	Sleeve, P/M, 0.496d 0.318b 0.50l 430ss	1	
21	1010560	(10000000- 20000000)	Wheel, Bmpr, 80d X 25w, Non- Marking	1	
22	09023	(10000000- 20000000)	Screw, Hex, M8 X 1.25 X 35, Ss, Fl	1	
23	608322	(10000000- 20000000)	Screw, Trs, M6 X 1.0 X 16, Phl, Ss	2	
24	1034731	(10000000- 20000000)	Screw, Hex, M6 X 1.00 X 16, Ss, Sems	2	
25	1034921	(10000000- 20000000)	Label, Logo, White/Black, 4.00l [Fast] (NLA - No Longer Available)	1	
▽	26	9003252	(10000000- 20000000)	Cover Kit, Head, Disc, Replmt [Ss5]	1
▲	27	1027068	(10000000- 20000000)	Insulation, Sound, Front	1

▽ ASSEMBLY

▲ INCLUDED IN ASSEMBLY

SCRUB HEAD GROUP, DISK 32 in / 800 mm



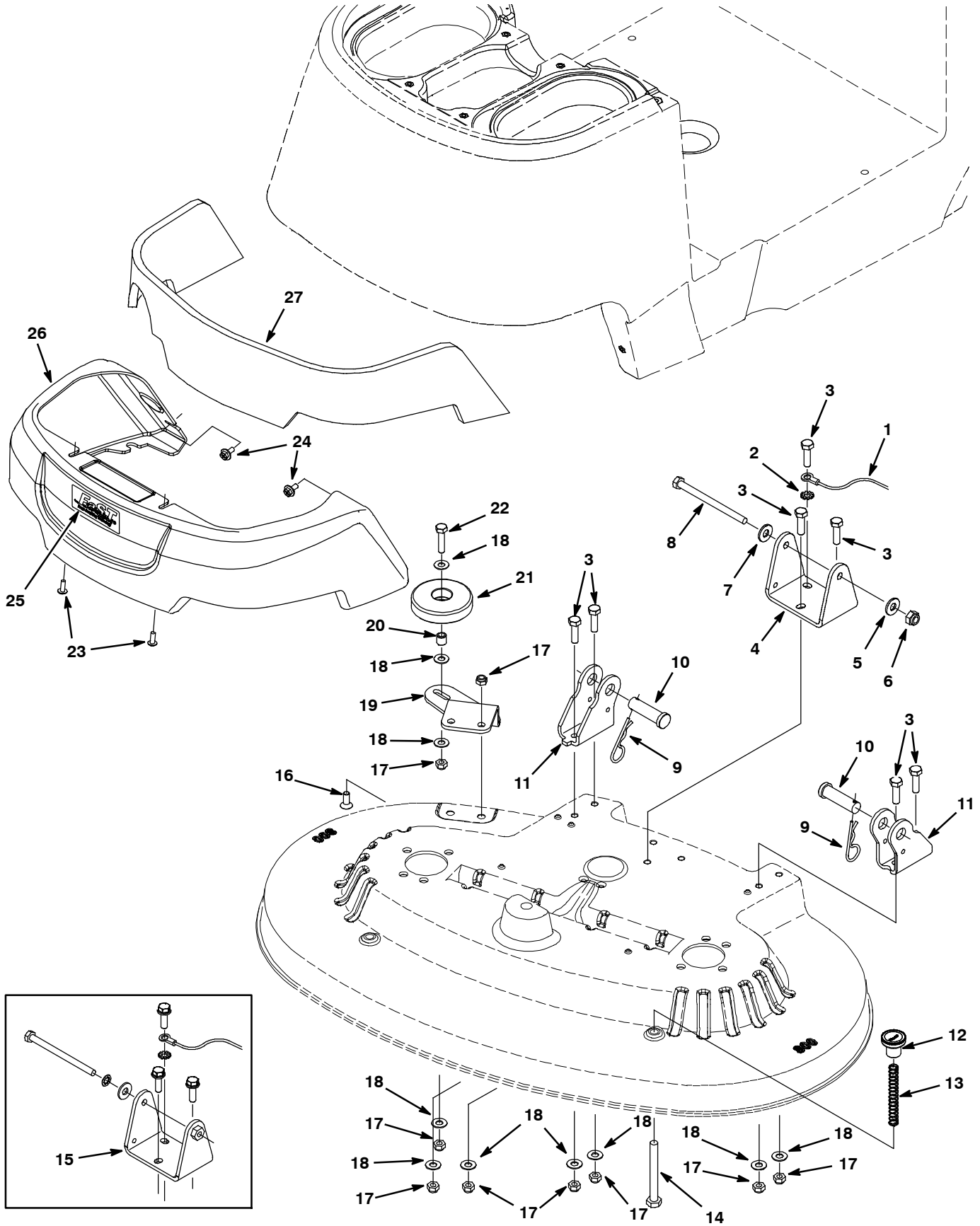
SCRUB HEAD GROUP, DISK 32 in / 800 mm

Ref.	Part No.	Serial Number	Description	Qty.
▽	1	1023067	(10000000- 20000000) Motor, Gearbox,24vdc, 220rpm, 0.75hp	2
▲	2	1031775	(10000000- 20000000) Brush, Brush- Motor, Afmkt	1
▲	3	1031681	(10000000- 20000000) Harness, Connector, Brush- Motor- Us	1
	4	1024321	(10000000- 20000000) Spacer, Rbr, Motor	2
	5	130773	(10000000- 20000000) Tie, Cable, Nyl, 11.0l, .14w, 3.0 Max. D	7
	6	606885	(10000000- 20000000) Hose 3/8idx5/8odx7.75 (611254)	2
	7	1022556	(10000000- 20000000) Fitting, Plstc, Tee, Bm06/Bm06/Bm08	1
	8	1022424	(10000000- 20000000) Stud, Adj, M16, Scrub Head	1
	9	763066	(10000000- 20000000) Nut, Hex, Jam, M16 X 2.0	1
	10	578769	(10000000- 20000000) Label, Moving Parts	2
	11	1023697	(10000000- 20000000) Housing, Casting, Head, 80cm, Mach	1
	12	1025160	(10000000- 20000000) Grommet, Isolator, 6b X 10od X 26.0fl	8
	13	386063	(10000000- 20000000) Washer, Flat, 0.25b 1.12d .12, Ss	8
	14	1025853	(10000000- 20000000) Screw, Set, M6 X 1.00 X 35, Ss, NI	8
	15	08712	(10000000- 20000000) Nut, Hex, Lock, M6 X 1.0, Ss, NI	8
	16	1022549	(10000000- 20000000) Spacer, Shaft, 17.15b, 25.0d, 3.0t	2
	17	9011851	(xxxxxxx- 20000000) Bumper, Head, 80cm, Bristle Skirt (Includes Mounting Hardware & Retaining Strap)	1
	18	1014328	(10000000- 20000000) Key, Sq, 05mm X 05mm, 25l	2
	19	1072628	(10000000- 20000000) Screw, Hex, M8 X 1.25 X 25, Ss, Sems	2
	20	1017218	(10000000- 20000000) Washer, Flat, 0.32b 1.00d .12, Ss	2
	21	1071637	(10617685- 20000000) Hub, Drive, Brush, Disk, 17mmb	2
	21	1022550	(10000000- 10617684) Hub, Drive, Brush, Disk, 17mm (Replaced by 1071637)	2
▽	22	1024941	(10000000- 10423042) Bumper Assy, Skirt, Scrub Head, 80cm (Replaced by 9011851)	1
▲	23	1020234	(10000000- 10423042) Screw, Hex, M4 X 0.7 X 10, Ss	4
▲	24	41578	(10000000- 10423042) Washer, Flat, #06 Ss	4
▲	25	1023573	(10000000- 10423042) Strap, Retaining, Skirt (Replaced by 9011851)	1
	26	1053618	(10423043- xxxxxxxx) Bumper, Head, 80cm, Bristle Skirt (Replaced by 9011851)	1

▽ ASSEMBLY

▲ INCLUDED IN ASSEMBLY

SCRUB HEAD GROUP, DISK 32 in / 800 mm - CONT'D



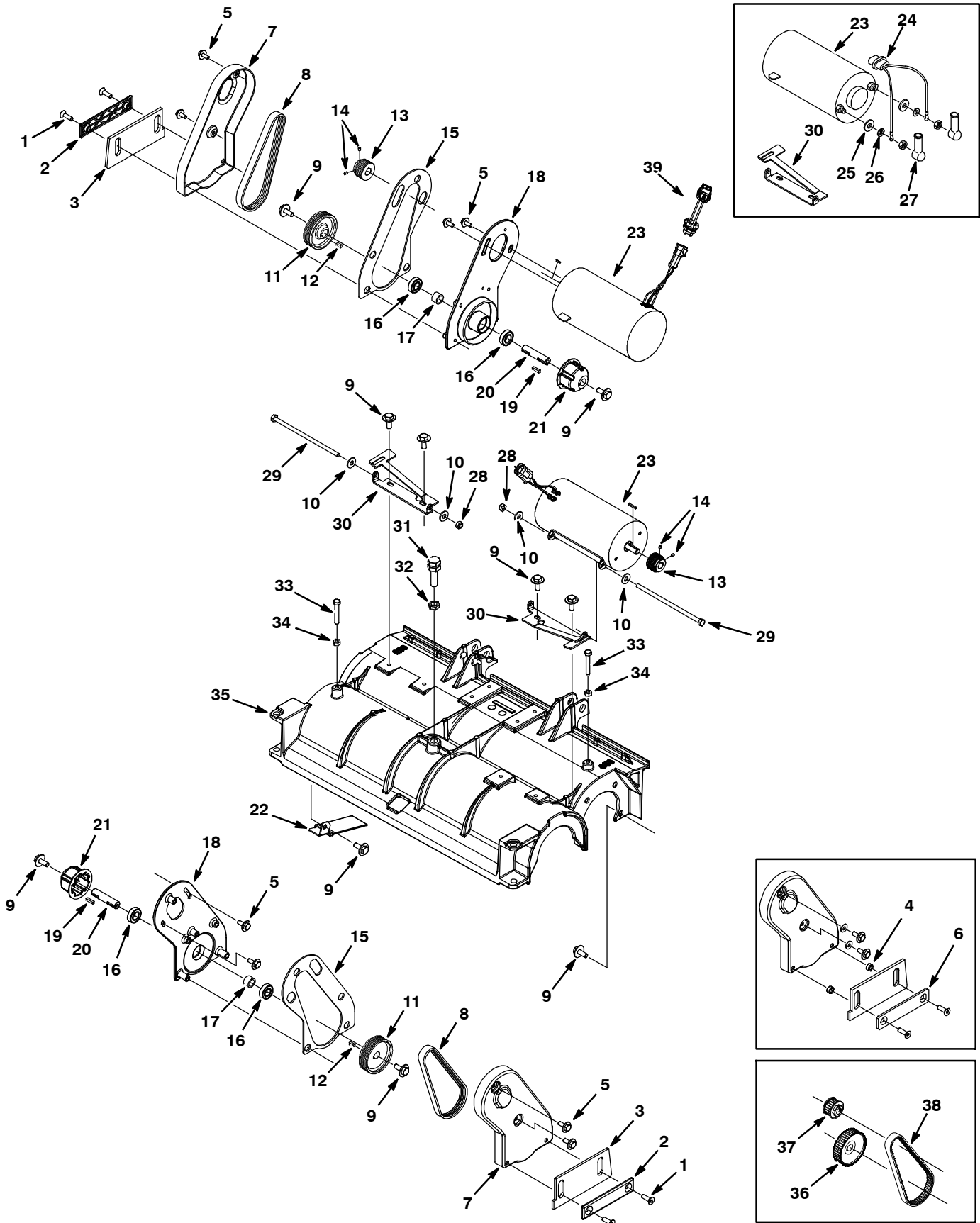
SCRUB HEAD GROUP, DISK 32 in / 800 mm - CONT'D

Ref.	Part No.	Serial Number	Description	Qty.	
1	1031370	(10000000- 20000000)	Wire, 12 Awg X 250mm	1	
2	43952	(10000000- 20000000)	Washer, Lock, Int, 0.31, Ss	1	
3	09011	(10000000- 20000000)	Screw, Hex, M8 X 1.25 X 30, Ss	7	
4	1036022	(10325114- 20000000)	Bracket, Mtg, Actuator, Scb Head	1	
5	01685	(10325114- 20000000)	Washer, Flat, 0.38b 0.88d .08, Ss	1	
6	08713	(10325114- 20000000)	Nut, Hex, Lock, M8 X 1.25, NI, Ss	1	
7	01685	(10000000- 20000000)	Washer, Flat, 0.31 Ss	1	
8	364441	(10000000- 20000000)	Screw, Hex, M8 X 1.25 X 110, Ss	1	
9	02942	(10000000- 20000000)	Pin, Hair Cotter, 0.62 D .120 Wir	2	
10	222210	(10000000- 20000000)	Pin, Clevis, 0.62 D X 2.12l	2	
11	1022227	(10000000- 20000000)	Bracket, Link, Scrubhead	2	
12	1024179	(10000000- 20000000)	Knob, Knurled, M10 Thread	2	
13	626081	(10000000- 20000000)	Spring, Cmpr, 12.1d, 0.9w, 90.0l	2	
14	09746	(10000000- 20000000)	Screw, Hex, M10 X 1.5 X 90, Ss	2	
15	N/A	(10000000- 10325113)	(Replaced By Items #4, 5, & 6)	1	
16	79246	(10000000- 20000000)	Screw, Flt, M8 X 1.25 X 20, Ss 18- 8	2	
17	08713	(10000000- 20000000)	Nut, Hex, Lock, M8 X 1.25, NI, Ss	10	
18	140027	(10000000- 20000000)	Washer, Flat, 0.35b 0.75d .04, Ss	10	
19	1023268	(10000000- 20000000)	Bracket, Roller, Wall, Scb Head, 70cm	1	
20	222460	(10000000- 20000000)	Sleeve, P/M, 0.496d 0.318b 0.50l 430ss	1	
21	1010560	(10000000- 20000000)	Wheel, Bmpr, 80d X 25w, Non- Marking	1	
22	09023	(10000000- 20000000)	Screw, Hex, M8 X 1.25 X 35, Ss, Fl	1	
23	608322	(10000000- 20000000)	Screw, Trs, M6 X 1.0 X 16, Phl, Ss	2	
24	1034731	(10000000- 20000000)	Screw, Hex, M6 X 1.00 X 16, Ss, Sems	2	
25	1034921	(10000000- 20000000)	Label, Logo, White/Black, 4.00l [Fast] (NLA - No Longer Available)	1	
▽	26	9003252	(10000000- 20000000)	Cover Kit, Head, Disc, Replmt [Ss5]	1
▲	27	1027068	(10000000- 20000000)	Insulation, Sound, Front	1

▽ ASSEMBLY

▲ INCLUDED IN ASSEMBLY

SCRUB HEAD GROUP, CYLINDRICAL 26 in / 650 mm



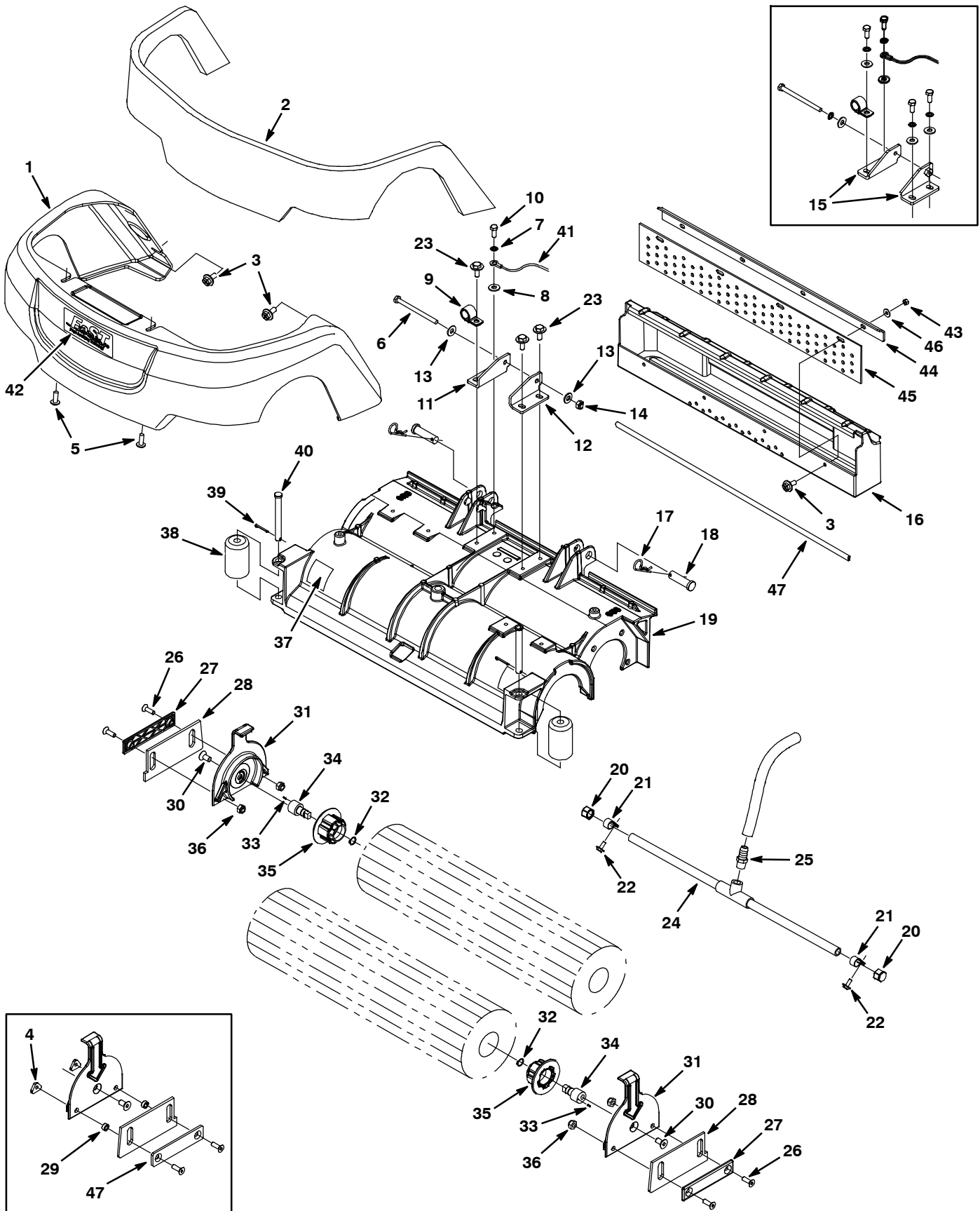
SCRUB HEAD GROUP, CYLINDRICAL 26 in / 650 mm

Ref.	Part No.	Serial Number	Description	Qty.	
1	222692	(10000000- 20000000)	Screw, Flt, M8 X1.25 X 25, Ss, 18- 8, NI	4	
2	1036245	(10353861- 20000000)	Retainer, Blade, Sqge, Side, Blk, Nyl	2	
3	1026292	(10000000- 20000000)	Skirt, Side, Scb, Cyl	2	
4	1027221	(10000000- 10353860)	Bushing, .325id .235h (Replaced by 1036245)	4	
5	1034731	(10000000- 20000000)	Screw, Hex, M6 X 1.00 X 16, Sems, Ss	8	
6	1026398	(10000000- 10353860)	Link, 0.18, 1.3w 05.7l, 2/0.4h, Cham (Replaced by 1036245)	2	
7	1022807	(10000000- 20000000)	Cover, Belt	2	
8	1035888	(10338658- 20000000)	Belt, Drive, 6Grv, 508l X 14w, [6Pj]	2	
9	1020341	(10000000- 20000000)	Screw, Hex, M8 X 1.25 X 20, Sems, Ss	16	
10	01685	(10000000- 20000000)	Washer, Flat, 0.31 Ss	4	
11	1035173	(10338658- 20000000)	Sheave, 06Grv, 2.96pd, 0.59b, Alm [Pj]	2	
12	00961	(10000000- 20000000)	Key, Sq, 0.19 X 0.19, 0.50l	2	
13	1033528	(10338658- 20000000)	Sheave, 06Grv, 1.33pd, 0.50b, Alm [Pj]	2	
14	222818	(10000000- 20000000)	Screw, Set, #08- 32 X 0.25, NI	4	
15	1022401	(10000000- 20000000)	Gasket, Cover, Belt	2	
16	41360	(10000000- 20000000)	Bearing, Ball, 0.59b 1.26d 0.35w [2seal]	4	
17	1002077	(10000000- 20000000)	Spacer, 0.59b 0.81d 0.50l	2	
18	1021036	(10000000- 20000000)	Bracket, Motor, Machined	2	
19	00911	(10000000- 20000000)	Key, Sq, 0.19 X 0.19, 0.75l	2	
20	1021050	(10000000- 20000000)	Shaft, Drive	2	
21	378805	(10000000- 20000000)	Plug, Drive, Brush, Mach	2	
22	1029358	(10000000- 20000000)	Deflector, Water, Cyl Head	1	
▽	23	1042228	(10419662- 20000000)	Motor, Ele, 24vdc 1500rpm 0.75hp 23.0a	2
▲		1049739	(10419662- 20000000)	Brush Kit, Carbon, Motor, Replmt [4pcs]	2
▽	23	1050369	(10000000- 10419661)	Motor Kit, Cylrcl, Replmt, F/604980 [T5]	2
▲		190152	(10000000- 10419661)	Brush, Carbon [Pk=4]	2
▲		605305	(10000000- 10419661)	Spring, Motor, F/ Carbon Brush	8
24	606795	(10000000- 10419661)	Harness Motor Cyl- Brush	2	
25	140027	(10000000- 10419661)	Washer, Flat, 0.35b 0.75d .04, Ss	4	
26	43952	(10000000- 10419661)	Washer, Lock, Int, 0.31 Ss	6	
27	608964	(10000000- 10419661)	Boot, 90deg .27id 0.64id 1.79l, Blk	4	
28	08713	(10353861- 20000000)	Nut, Hex, Lock, M8 X 1.25, NI, Ss	2	
29	1025026	(10000000- 20000000)	Screw, Hex, M8 X 1.25 X 180, Ss	2	
30	1044386	(10000000- 20000000)	Bracket, Mounting, Motor	2	
31	1022424	(10000000- 20000000)	Stud, Adj, M16, Scrub Head	1	
32	763066	(10000000- 20000000)	Nut, Hex, Jam, M16 X 2.0	1	
33	578717	(10000000- 20000000)	Screw, Hex, M8 X 1.25 X 50, Ss	2	
34	07786	(10000000- 20000000)	Nut, Hex, Std, M8 X 1.25, Ss	2	
35	1022624	(10000000- 20000000)	Housing, Head, 65cm Cyl, Mach	1	
36	1024636	(10000000- 10338657)	Sprocket, 48t, 5p V2	2	
37	375195	(10000000- 10338657)	Sprocket, Timing, 22tooth, 0.50b, [Gt/2]	2	
38	377500	(10000000- 10338657)	Belt, Synchronous, 500l, 15mm [05p, Plychn]	2	
39	1052895	(10419662- 20000000)	Harness, Adapter, Motor [T7/T5]	1	

▽ ASSEMBLY

▲ INCLUDED IN ASSEMBLY

SCRUB HEAD GROUP, CYLINDRICAL 26 in / 650 mm - CONT'D



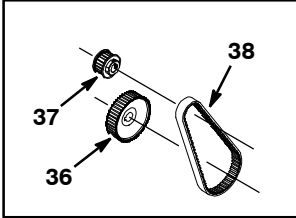
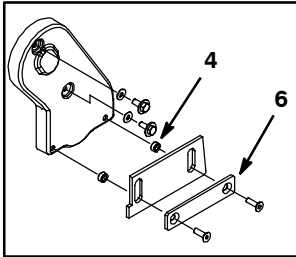
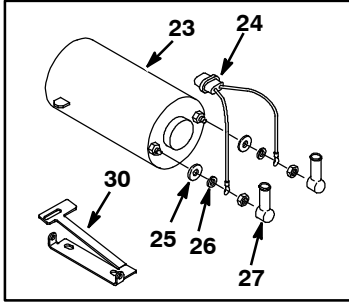
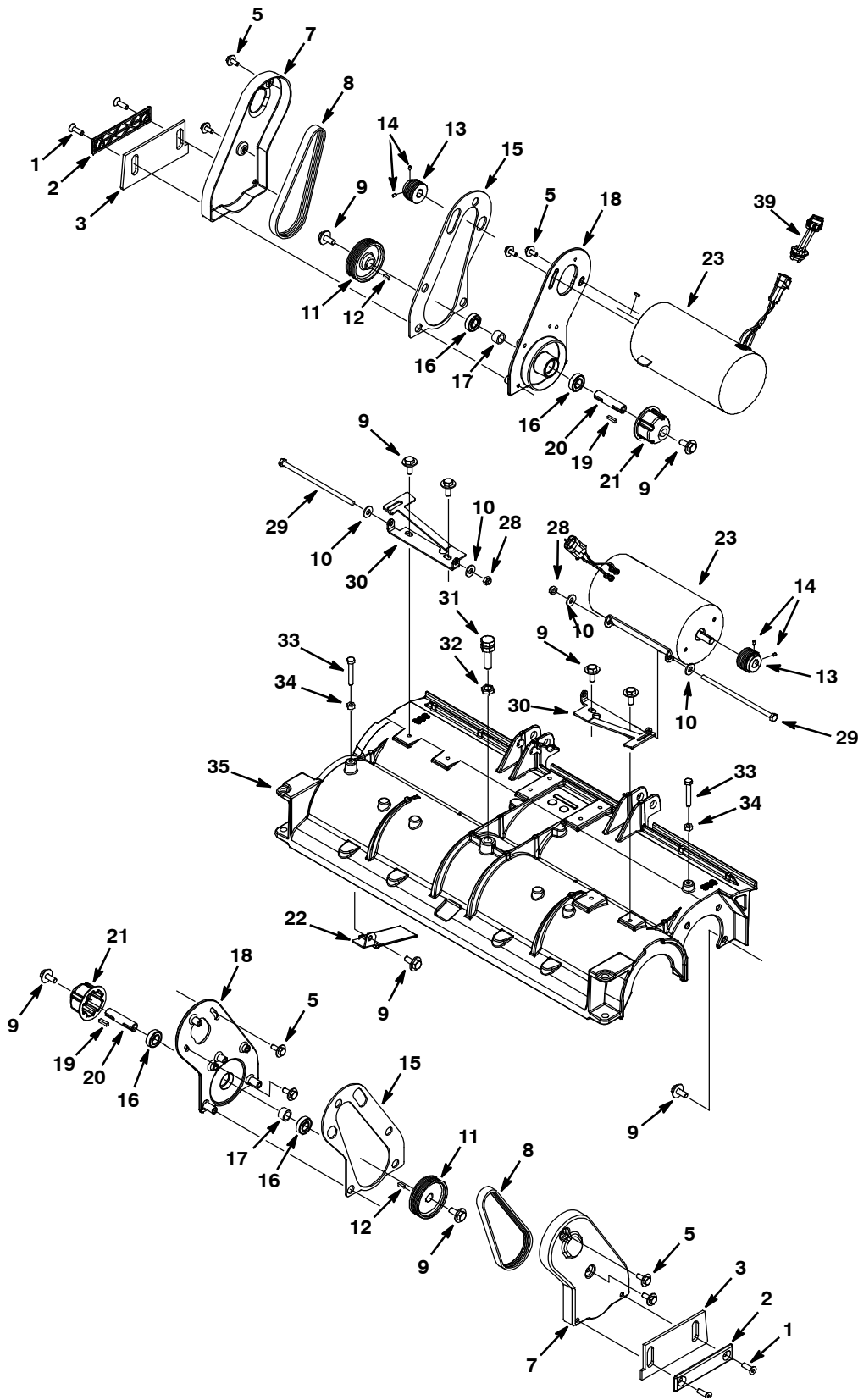
SCRUB HEAD GROUP, CYLINDRICAL 26 in / 650 mm - CONT'D

Ref.	Part No.	Serial Number	Description	Qty.
▽	1	9003253	(10000000- 20000000) Cover Kit, Head, Cyl, Replmt [Ss5]	1
▲	2	1027069	(10000000- 20000000) Insulation, Sound, Front, Cyl	1
	3	1034731	(10000000- 20000000) Screw, Hex, M6 X 1.00 X 16, Sems, Ss	6
	4	607256	(10000000- 10353860) Nut, Retainer, Spcl, M8, Ss	4
	5	608322	(10000000- 20000000) Screw, Trs, M6 X 1.0 X 16, Phl, Ss	2
	6	364441	(10000000- 20000000) Screw, Hex, M8 X 1.25 X 110, Ss	1
	7	43952	(10000000- 20000000) Washer, Lock, Int, 0.31 Ss	1
	8	01685	(10000000- 20000000) Washer, Flat, 0.31 Ss	1
	9	140314	(10000000- 20000000) Clamp, Cable, Stl, 0.75d X 0.75w, 1h, Yl	1
	10	12273	(10000000- 20000000) Screw, Hex, M8 X 1.25 X 20, Ss, NI	1
	11	1036032	(10330480- 20000000) Bracket, Lift, Head, Rh	1
	12	1036025	(10330480- 20000000) Bracket, Lift, Head, Lh	1
	13	01685	(10000000- 20000000) Washer, Flat, 0.31 Ss	1
	14	08713	(10330480- 20000000) Nut, Hex, Lock, M8 X 1.25, NI, Ss	1
	15	N/A	(10000000- 10330479) (Replaced By Items #11, 12, 13, & 14)	1
	16	1023465	(10000000- 20000000) Hopper, 65cm, Rm- Blk	1
	17	02942	(10000000- 20000000) Pin, Hair Cotter, 0.62 D .120 Wir	2
	18	222210	(10000000- 20000000) Pin, Clevis, 0.62 D X 2.12l	2
	19	1022624	(10000000- 20000000) Housing, Head, 65cm Cyl, Mach	1
	20	1025580	(10000000- 20000000) Cap, Plstc, Pf12	2
	21	33584	(10000000- 20000000) Clamp, Cable, Stl, 0.63d X 0.50w, 1h	2
	22	1034731	(10000000- 20000000) Screw, Hex, M6 X 1.00 X 16, Sems, Ss	2
	23	1020341	(10000000- 20000000) Screw, Hex, M8 X 1.25 X 20, Sems, Ss	3
	24	1046049	(10000000- 20000000) Tube Assy, Bar, Spray	1
	25	64743	(10000000- 20000000) Fitting, Plstc, Str, Bm08/Pm06	1
	26	222692	(10000000- 20000000) Screw, Flt, M8 X1.25 X 25, Ss, 18- 8, NI	4
	27	1036245	(10353861- 20000000) Retainer, Blade, Sqge, Side, Blk, Nyl	2
	28	1026292	(10000000- 20000000) Skirt, Side, Scb, Cyl	2
	29	1027221	(10000000- 10353860) Bushing, .325id .235h (Replaced by 1036245)	4
▽		1057922	(10000000- 20000000) Door Assy, Cyl Head, [7100]	2
▲	30	390996	(10000000- 20000000) Screw, Flt, M10 X 1.5 X 20, 10.9, NI	1
▲	31	1044145	(10000000- 20000000) Door, Brush	1
▲	32	01516	(10000000- 20000000) Ring, Retaining, Ext, 0.59d, Basic	1
▲	33	222184	(10000000- 20000000) Pin, Roll, .094 D X 0.25l, .094/.097	1
▲	34	222177	(10000000- 20000000) Shaft, Idler Plug	1
▲	35	1057629	(10000000- 20000000) Plug, Idler, Brush, [Sgl Brg]	1
	36	08713	(10353861- 20000000) Nut, Hex, Lock, M8 X 1.25, NI, Ss	4
	37	578769	(10000000- 20000000) Label, Moving Parts	2
	38	222178	(10000000- 20000000) Roller, Pyu, 1.88d 0.53b 3.05l	2
	39	578421	(10000000- 20000000) Pin, Cotter, .125d X 1.00l	2
	40	222196	(10000000- 20000000) Pin, Clevis, 0.50 D X 4.25l	2
	41	1031370	(10000000- 20000000) Wire, 12 Awg X 250mm	1
	42	1034921	(10000000- 20000000) Label, Logo, White/Black, 4.00l [Fast] (NLA - No Longer Available)	1
	43	07785	(10000000- 20000000) Nut, Hex, Std, M6 X 1.0, A2, Ss	4
	44	1023536	(10000000- 20000000) Lip, Tray, Debris, Scrubhead, 65cm	1
	45	1025272	(10000000- 20000000) Skirt, Tray, Debris, 65cm	1
	46	01684	(10000000- 20000000) Washer, Flat, 0.27b 0.69d .05, Ss	4
	47	1026398	(10000000- 10353860) Link, 0.18, 1.3w 05.7l, 2/0.4h, Cham (Replaced by 1036245)	2
	47	374006	(10000000- 20000000) Channel, Nyl, 0.5h 0.27w 29.0l	1

▽ ASSEMBLY

▲ INCLUDED IN ASSEMBLY

SCRUB HEAD GROUP, CYLINDRICAL 32 in / 800 mm



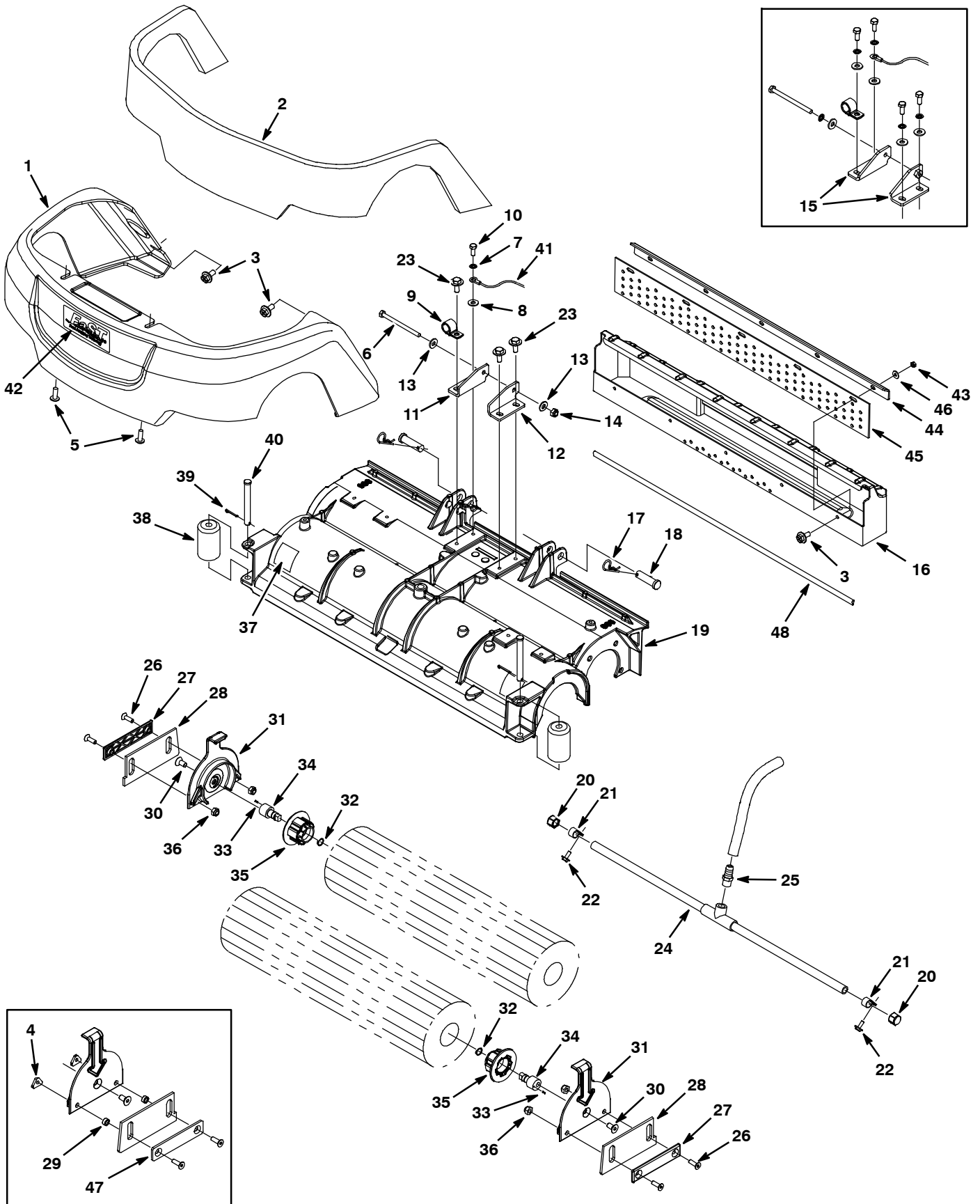
SCRUB HEAD GROUP, CYLINDRICAL 32 in / 800 mm

Ref.	Part No.	Serial Number	Description	Qty.	
1	222692	(10000000- 20000000)	Screw, Flt, M8 X1.25 X 25, Ss, 18- 8, NI	4	
2	1036245	(10353861- 20000000)	Retainer, Blade, Sqge, Side, Blk, Nyl	2	
3	1026292	(10000000- 20000000)	Skirt, Side, Scb, Cyl	2	
4	1027221	(10000000- 10353860)	Bushing, .325id .235h (Replaced by 1036245)	4	
5	1034731	(10000000- 20000000)	Screw, Hex, M6 X 1.00 X 16, Sems, Ss	8	
6	1026398	(10000000- 10353860)	Link, 0.18, 1.3w 05.7l, 2/0.4h, Cham (Replaced by 1036245)	2	
7	1022807	(10000000- 20000000)	Cover, Belt	2	
8	1035888	(10338658- 20000000)	Belt, Drive, 6Grv, 508l X 14w, [6Pj]	2	
9	1020341	(10000000- 20000000)	Screw, Hex, M8 X 1.25 X 20, Sems, Ss	16	
10	01685	(10000000- 20000000)	Washer, Flat, 0.31 Ss	4	
11	1035173	(10338658- 20000000)	Sheave, 06Grv, 2.96pd, 0.59b, Alm [Pj]	2	
12	00961	(10000000- 20000000)	Key, Sq, 0.19 X 0.19, 0.50l	2	
13	1033528	(10338658- 20000000)	Sheave, 06Grv, 1.33pd, 0.50b, Alm [Pj]	2	
14	222818	(10000000- 20000000)	Screw, Set, #08- 32 X 0.25, NI	4	
15	1022401	(10000000- 20000000)	Gasket, Cover, Belt	2	
16	41360	(10000000- 20000000)	Bearing, Ball, 0.59b 1.26d 0.35w [2seal]	4	
17	1002077	(10000000- 20000000)	Spacer, 0.59b 0.81d 0.50l	2	
18	1021036	(10000000- 20000000)	Bracket, Motor, Machined	2	
19	00911	(10000000- 20000000)	Key, Sq, 0.19 X 0.19, 0.75l	2	
20	1021050	(10000000- 20000000)	Shaft, Drive	2	
21	378805	(10000000- 20000000)	Plug, Drive, Brush, Mach	2	
22	1029358	(10000000- 20000000)	Deflector, Water, Cyl Head	1	
▽	23	1042228	(10419662- 20000000)	Motor, Ele, 24vdc 1500rpm 0.75hp 23.0a	2
▲		1049739	(10419662- 20000000)	Brush Kit, Carbon, Motor, Replmt [4pcs]	2
▽	23	1050369	(10000000- 10419661)	Motor Kit, Cylrcl, Replmt, F/604980 [T5]	2
▲		190152	(10000000- 10419661)	Brush, Carbon [Pk=4]	2
▲		605305	(10000000- 10419661)	Spring, Motor, F/ Carbon Brush	8
24	606795	(10000000- 10419661)	Harness Motor Cyl- Brush	2	
25	140027	(10000000- 10419661)	Washer, Flat, 0.35b 0.75d .04, Ss	4	
26	43952	(10000000- 10419661)	Washer, Lock, Int, 0.31 Ss	6	
27	608964	(10000000- 10419661)	Boot, 90deg .27id 0.64id 1.79l, Blk	4	
28	08713	(10000000- 20000000)	Nut, Hex, Lock, M8 X 1.25, NI, Ss	2	
29	1025026	(10000000- 20000000)	Screw, Hex, M8 X 1.25 X 180, Ss	2	
30	1044386	(10000000- 20000000)	Bracket, Mounting, Motor	2	
31	1022424	(10000000- 20000000)	Stud, Adj, M16, Scrub Head	1	
32	763066	(10000000- 20000000)	Nut, Hex, Jam, M16 X 2.0	1	
33	578717	(10000000- 20000000)	Screw, Hex, M8 X 1.25 X 50, Ss	2	
34	07786	(10000000- 20000000)	Nut, Hex, Std, M8 X 1.25, Ss	2	
35	1025039	(10000000- 20000000)	Housing, Head, 80cm Cyl, Mach	1	
36	1024636	(10000000- 10338657)	Sprocket, 48t, 5p V2	2	
37	375195	(10000000- 10338657)	Sprocket, Timing, 22tooth, 0.50b, [Gt/2]	2	
38	377500	(10000000- 10338657)	Belt, Synchronous, 500l, 15mm [05p, Plychn]	2	
39	1052895	(10409662- 20000000)	Harness, Adapter, Motor [T7/T5]	1	

▽ ASSEMBLY

▲ INCLUDED IN ASSEMBLY

SCRUB HEAD GROUP, CYLINDRICAL 32 in / 800 mm - CONT'D



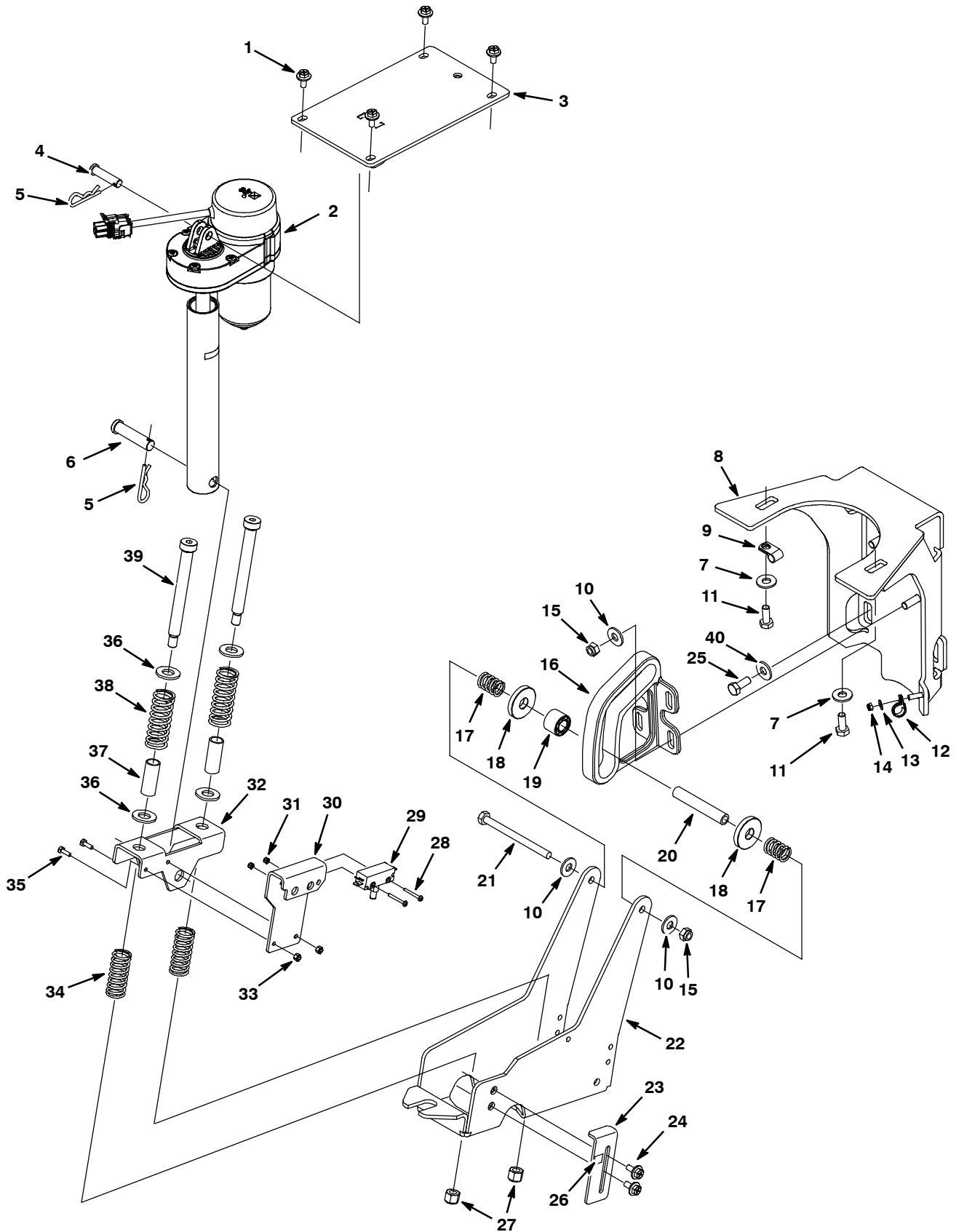
SCRUB HEAD GROUP, CYLINDRICAL 32 in / 800 mm - CONT'D

Ref.	Part No.	Serial Number	Description	Qty.
▽	1	9003253	(10000000- 20000000) Cover Kit, Head, Cyl, Replmt [Ss5]	1
▲	2	1027069	(10000000- 20000000) Insulation, Sound, Front, Cyl	1
	3	1034731	(10000000- 20000000) Screw, Hex, M6 X 1.00 X 16, Sems, Ss	7
	4	607256	(10000000- 10353860) Nut, Retainer, Spcl, M8, Ss	4
	5	608322	(10000000- 20000000) Screw, Trs, M6 X 1.0 X 16, Phl, Ss	2
	6	364441	(10000000- 20000000) Screw, Hex, M8 X 1.25 X 110, Ss	1
	7	43952	(10000000- 20000000) Washer, Lock, Int, 0.31 Ss	1
	8	01685	(10000000- 20000000) Washer, Flat, 0.31 Ss	1
	9	140314	(10000000- 20000000) Clamp, Cable, Stl, 0.75d X 0.75w, 1h, Yl	1
	10	12273	(10000000- 20000000) Screw, Hex, M8 X 1.25 X 20, Ss, NI	1
	11	1036032	(10330480- 20000000) Bracket, Lift, Head, Rh	1
	12	1036025	(10330480- 20000000) Bracket, Lift, Head, Lh	1
	13	01685	(10330480- 20000000) Washer, Flat, 0.38b 0.88d .08, Ss	1
	14	08713	(10330480- 20000000) Nut, Hex, Lock, M8 X 1.25, NI, Ss	1
	15	N/A	(10000000- 10330479) (Replaced By Items #11, 12, 13, & 14)	1
	16	1025127	(10000000- 20000000) Hopper, 80cm [Rm]	1
	17	02942	(10000000- 20000000) Pin, Hair Cotter, 0.62 D .120 Wir	2
	18	222210	(10000000- 20000000) Pin, Clevis, 0.62 D X 2.12l	2
	19	1025039	(10000000- 20000000) Housing, Head, 80cm Cyl, Mach	1
	20	1025580	(10000000- 20000000) Cap, Plstc, Pf12	2
	21	33584	(10000000- 20000000) Clamp, Cable, Stl, 0.63d X 0.50w, 1h	2
	22	1034731	(10000000- 20000000) Screw, Hex, M6 X 1.00 X 16, Sems, Ss	2
	23	1020341	(10000000- 20000000) Screw, Hex, M8 X 1.25 X 20, Sems, Ss	3
	24	1025276	(10000000- 20000000) Tube Assy, Bar, Spray [85cm]	1
	25	64743	(10000000- 20000000) Fitting, Plstc, Str, Bm08/Pm06	1
	26	222692	(10000000- 20000000) Screw, Flt, M8 X1.25 X 25, Ss, 18- 8, NI	4
	27	1036245	(10353861- 20000000) Retainer, Blade, Sqge, Side, Blk, Nyl	2
	28	1026292	(10000000- 20000000) Skirt, Side, Scb, Cyl	2
	29	1027221	(10000000- 10353860) Bushing, .325id .235h (Replaced by 1036245)	4
▽		1057922	(10000000- 20000000) Door Assy, Cyl Head, [7100]	2
▲	30	390996	(10000000- 20000000) Screw, Flt, M10 X 1.5 X 20, 10.9, NI	1
▲	31	1044145	(10000000- 20000000) Door, Brush	1
▲	32	01516	(10000000- 20000000) Ring, Retaining, Ext, 0.59d, Basic	1
▲	33	222184	(10000000- 20000000) Pin, Roll, .094 D X 0.25l, .094/.097	1
▲	34	222177	(10000000- 20000000) Shaft, Idler Plug	1
▲	35	1057629	(10000000- 20000000) Plug, Idler, Brush, [Sgl Brg]	1
	36	08713	(10353861- 20000000) Nut, Hex, Lock, M8 X 1.25, NI, Ss	4
	37	578769	(10000000- 20000000) Label, Moving Parts	2
	38	222178	(10000000- 20000000) Roller, Pyu, 1.88d 0.53b 3.05l	2
	39	578421	(10000000- 20000000) Pin, Cotter, .125d X 1.00l	2
	40	222196	(10000000- 20000000) Pin, Clevis, 0.50 D X 4.25l	2
	41	1031370	(10000000- 20000000) Wire, 12 Awg X 250mm	1
	42	1034921	(10000000- 20000000) Label, Logo, White/Black, 4.00l [Fast] (NLA - No Longer Available)	1
	43	07785	(10000000- 20000000) Nut, Hex, Std, M6 X 1.0, A2, Ss	5
	44	1025150	(10000000- 20000000) Lip, Tray, Debris, Scrubhead, 80cm	1
	45	1025273	(10000000- 20000000) Skirt, Tray, Debris, 80cm	1
	46	01684	(10000000- 20000000) Washer, Flat, 0.25 Ss	5
	47	1026398	(10000000- 10353860) Link, 0.18, 1.3w 05.7l, 2/0.4h, Cham (Replaced by 1036245)	2
	48	374007	(10000000- 20000000) Channel, .18, 0.3w 0.5 33.0l	1

▽ ASSEMBLY

▲ INCLUDED IN ASSEMBLY

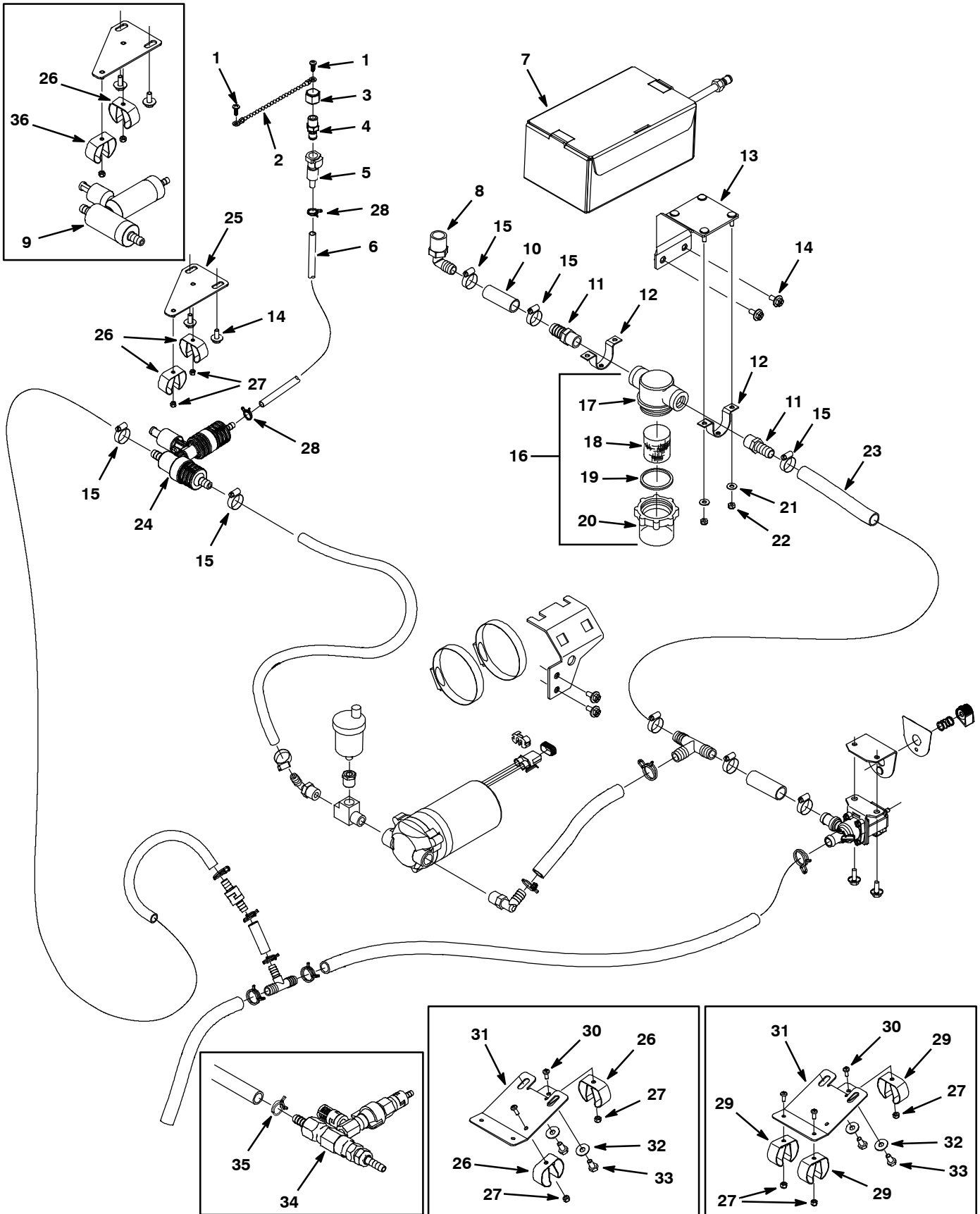
SCRUBHEAD LIFT GROUP



SCRUBHEAD LIFT GROUP

Ref.	Part No.	Serial Number	Description	Qty.
1	1034731	(10000000- 20000000)	Screw, Hex, M6 X 1.00 X 16, Ss, Sems	4
2	1050452	(10000000- 20000000)	Actuator, 24vdc, 6.0 Strk, 600 Lb	1
3	1022913	(10000000- 20000000)	Bracket Wldt, Actuator, Upper	1
4	29558	(10000000- 20000000)	Pin, Clevis, 0.37 D X 1.50l	1
5	140626	(10000000- 20000000)	Pin, Hair Cotter, 0.25 D .125 Wir	2
6	51534	(10000000- 20000000)	Pin, Clevis, 0.50 D X 2.00l	1
7	69461	(10000000- 20000000)	Washer, Flat, 0.38b 0.88d .12, Stl, Pl	2
8	1049367	(10000000- 20000000)	Bracket, Sppt, Guide, Rlr	1
9	40678	(10000000- 20000000)	Clamp, Cable, Stl, 0.44d X 0.62w, 1h	1
10	01685	(10000000- 20000000)	Washer, Flat, 0.31 Ss	6
11	12273	(10000000- 20000000)	Screw, Hex, M8 X 1.25 X 20, Ss, NI	2
12	33584	(10000000- 20000000)	Clamp, Cable, Stl, 0.63d X 0.50w, 1hole	1
13	01683	(10000000- 20000000)	Washer, Flat, #10 Ss	1
14	09739	(10000000- 20000000)	Nut, Hex, Lock, M5 X 0.8, NI, Ss	1
15	08713	(10000000- 20000000)	Nut, Hex, Lock, M8 X 1.25, NI, Ss	5
16	1023592	(10000000- 20000000)	Bracket, Guide, Rlr, Head Lift, Brz [T5]	1
17	607920	(10000000- 20000000)	Spring, Cmpr, 18.3d, 2.4w, 25.4l Mw	2
18	607568	(10000000- 20000000)	Washer, P/M, 1.500d, 0.500b 0.25l Bnz	2
19	1023658	(10000000- 20000000)	Roller, Linkage, Head Lift	1
20	1023653	(10000000- 20000000)	Shaft, Rlr, Head- Lift	1
21	386299	(10000000- 20000000)	Screw, Hex, M8 X 1.25 X 100, Ss	1
22	1024911	(10000000- 20000000)	Bracket, Roller, Scrubhead, Sheet Metal	1
23	1073623	(10679874- 20000000)	Bracket, Switch, Shut- Off	1
23	1025002	(10000000- 10679873)	Bracket, Switch, Shut- Off (Replaced by Kit 9010902)	1
24	1034731	(10000000- 20000000)	Screw, Hex, M6 X 1.00 X 16, Ss, Sems	2
25	12333	(10000000- 20000000)	Screw, Hex, M8 X 1.25 X 25, Ss, NI	2
26	1031984	(10000000- 20000000)	Label, Switch, Scrub Head	1
27	59156	(10000000- 20000000)	Nut, Hex, Lock, .38- 16, NI, Ss	2
28	06923	(10000000- 20000000)	Screw, Pan, M3 X 0.50 X 25, 4.8	2
29	1071996	(10679874- 20000000)	Switch, Push, Snap Action, 25a	1
29	606292	(10000000- 10679873)	Switch, Push, Actuator, 20a (Replaced by Kit 9010902)	1
30	1072283	(10679874- 20000000)	Bracket Wldt, Switch, Down Press	1
30	1025001	(10000000- 10679873)	Bracket, Switch, Down Press (Replaced by Kit 9010902)	1
31	579211	(10000000- 20000000)	Nut, Hex, Lock, M3 X 0.50, Ss	2
32	1023575	(10000000- 20000000)	Bracket, Spring, Down Press	1
33	33932	(10000000- 20000000)	Nut, Hex, Lock, M4 X 0.70, NI, Ss	2
34	63185	(10000000- 20000000)	Spring, Cmpr, 0.85od .09wir 2.0l	2
35	09206	(10000000- 20000000)	Screw, Hex, M4 X 0.7 X 12, 8.8	2
36	32486	(10000000- 20000000)	Washer, Flat, 0.50 Sae	4
37	1024969	(10000000- 20000000)	Sleeve, P/M, 0.629d 09.5	2
38	45261	(10000000- 20000000)	Spring, Cmpr, 0.97od .11wir 2.5l	2
39	45960	(10000000- 20000000)	Bolt, Shld, .50d X 4.25, .38- 16	2
40	1016331	(10000000- 20000000)	Washer, Flat, 0.34b 1.25d .11, Ss	2
N/S	130773	(10000000- 20000000)	Tie, Cable, Nyl, 11.0l, .14w, 3.0 Max. D	3

SOLUTION GROUP, FaST MODEL



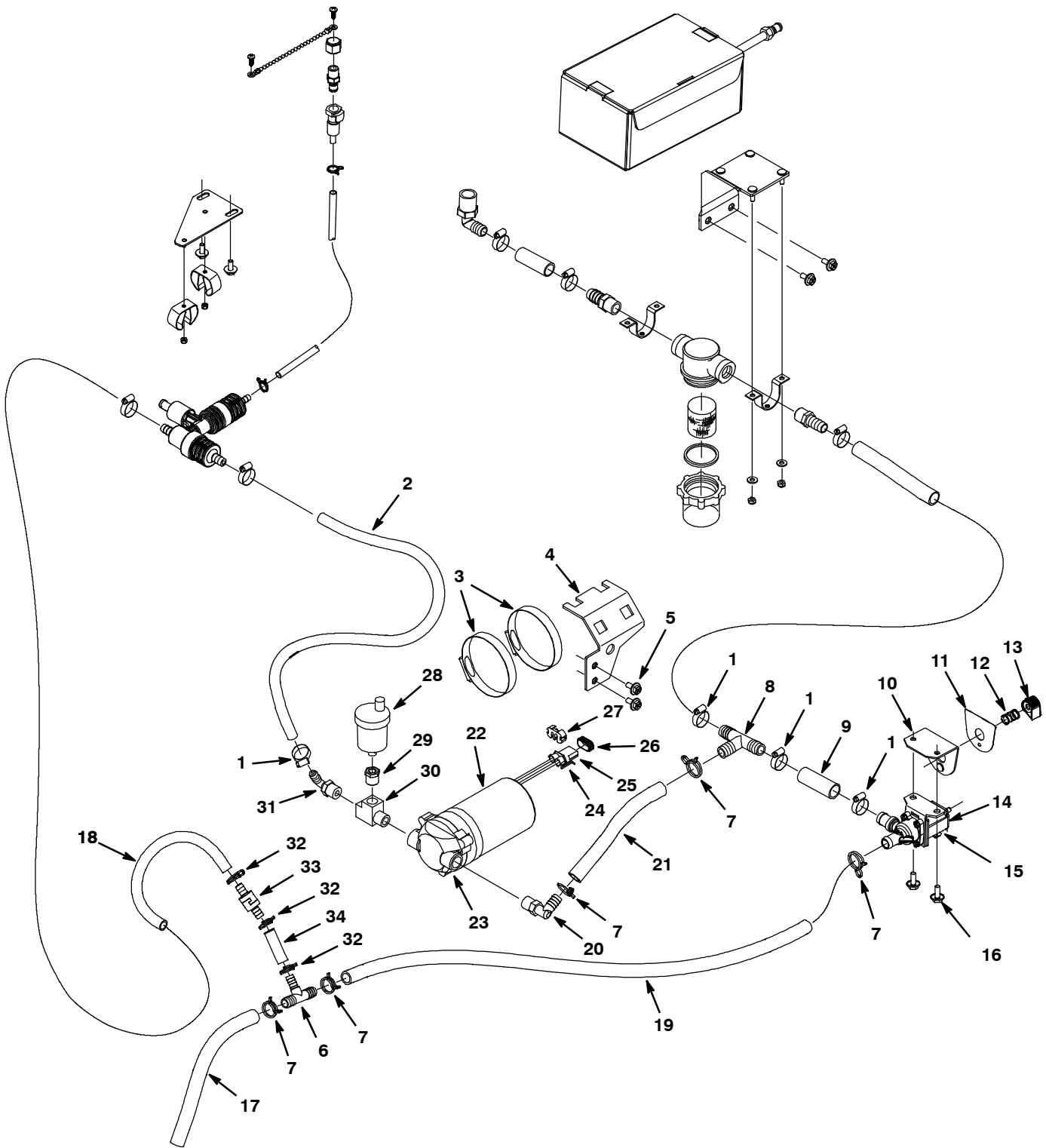
SOLUTION GROUP, FaST MODEL

Ref.	Part No.	Serial Number	Description	Qty.	
1	1018155	(10000000- 20000000)	Screw, Pan, M5 X 0.8 X16, Ss, Tcut	2	
2	621443	(10000000- 20000000)	Chain, Ball, #10 X 157l, Ss	1	
3	1005435	(10000000- 20000000)	Fitting, Plstc, Cap, Pf04, Pipe	1	
4	1006206	(10000000- 20000000)	Fitting, Plstc, Str, Pm04, Cplg,Mal[Nob]	1	
5	1006204	(10000000- 20000000)	Coupling, Fem, W/Valve, .25 Brb[Nobles]	1	
6	1006415	(10000000- 20000000)	Hose, Afmkt, Pvc, Clr 0.25id 3ft [C460126]	1	
7	1017019	(10000000- 20000000)	Detergent Pkg, 2 Liter, Sgl [Mp]	1	
7	1017025	(10000000- 20000000)	Detergent Pkg, 2 Liter, Sgl [Mpd]	1	
8	1013505	(10000000- 20000000)	Fitting, Plstc, E90, Bm08/Pm08, Nyl	1	
9	9003907	(10348538- 10538042)	Fast Kit, Injector[T5 60/65cm, Fast li+] (See Breakdown) (Replaced by 9008847)	1	
9	9003908	(10347532- 10582616)	Fast Kit, Injector[T5 70/80cm, Fast li+] (See Breakdown)	1	
10	069760725	(10000000- 20000000)	Hose Sol 1/2idx3.25" [611259]	1	
11	14884	(10000000- 20000000)	Fitting, Brs, Str, Bm08/Pm06 [Taped]	2	
12	605056	(10000000- 20000000)	Bracket, Mtg, Fltr	2	
13	1023543	(10000000- 20000000)	Bracket Wldt, Mtg, Filter	1	
14	1034731	(10369603- 20000000)	Screw, Hex, M6 X 1.00 X 16, Ss, Sems	4	
15	54333	(10348538- 20000000)	Clamp, Hose, Wormdrive, 0.31- 0.88d, .31w	5	
▽	16	1005302	(10000000- 20000000)	Filter, In- Line, Pf06/Pf06, 80 Mesh	1
▲	17	613993	(10000000- 20000000)	Housing, Top, F/1005302	1
▲	18	1005304	(10000000- 20000000)	Screen, Fltr, 80 Mesh	1
▲	19	613992	(10000000- 20000000)	Gasket [Viton, F/1005302]	1
▲	20	613991	(10000000- 20000000)	Bowl, Clr, Short, F/1005302	1
	21	01683	(10000000- 20000000)	Washer, Flat, #10, Ss	4
	22	09739	(10000000- 20000000)	Nut, Hex, Lock, M5 X 0.80, NI, Ss	4
	23	613521	(10000000- 20000000)	Tube, 0.50id X 0.75od Vyl 1.00ft[611259]	1
	24	9008847	(10538043- 20000000)	Fast Kit, Injector[T5 60/65cm, Fast lii] (600 mm Disk & 650 mm Cyl Models) (See Breakdown)	1
	24	9008887	(10582617- 20000000)	Fast Kit, Injector[T5 70/80cm, Fast lii] (See Breakdown)	1
	25	1040982	(10369603- 20000000)	Plate, Mtg, Injector [T5/Ss5 Fast li+]	1
	26	573073	(10538043- 20000000)	Clip, Grip, Hose, 1.00- 1.50, Stl, PI (600 mm Disk & 650 mm Cyl Models)	2
	26	573073	(10347532- 20000000)	Clip, Grip, Hose, 1.00- 1.50, Stl, PI (700 mm/800 mm Disk & 800 mm Cyl Models)	1
	27	33932	(10347532- 20000000)	Nut, Hex, Lock, M4 X 0.7, NI, Ss	2
	27	33932	(10000000- 10347531)	Nut, Hex, Lock, M4 X 0.7, NI, Ss	3
	28	613735	(10000000- 20000000)	Clamp, Hose, Wir, .40 - .42, Yel	2
	29	1014295	(10000000- 10347531)	Clip, Spring, Holder, Blk Vyl Coated	3
	30	49697	(10347532- 10369602)	Screw, Pan, M4 X 0.7 X 10, Ss	2
	30	49697	(10000000- 10347531)	Screw, Pan, M4 X 0.7 X 10, Ss	3
	31	N/A	(10000000- 10369602)	(Replaced By Item #25)	1
	32	01684	(10000000- 10369602)	Washer, Flat, 0.25 Ss	2
	33	11635	(10000000- 20000000)	Screw, Hex, M6 X 1.0 X 12, Ss, NI	2
	34	9003810	(10000000- 10348537)	Fast Kit, Conv, Ci[T5 60/65cm, Fast li+] (600mm Disk & 650mm Cyl Models) (See Breakdown)	1
	34	9003812	(10000000- 10347531)	Fast Kit, Conv, Ci[T5 70/80cm, Fast li+] (See Breakdown) (700mm/800mm Disk & 800mm Cyl Models)	1
	35	607775	(10000000- 10348537)	Clamp, Hose, Wir, .63 - .66, Blk	1
	36	1014295	(10000000- 20000000)	Clip, Grip, Hose, 0.75- 1.12, Stl,Blk Vyl (700 mm/800 mm Disk & 800 mm Cyl Models)	1

▽ ASSEMBLY

▲ INCLUDED IN ASSEMBLY

SOLUTION GROUP, FaST MODEL - CONT'D



SOLUTION GROUP, FaST MODEL - CONT'D

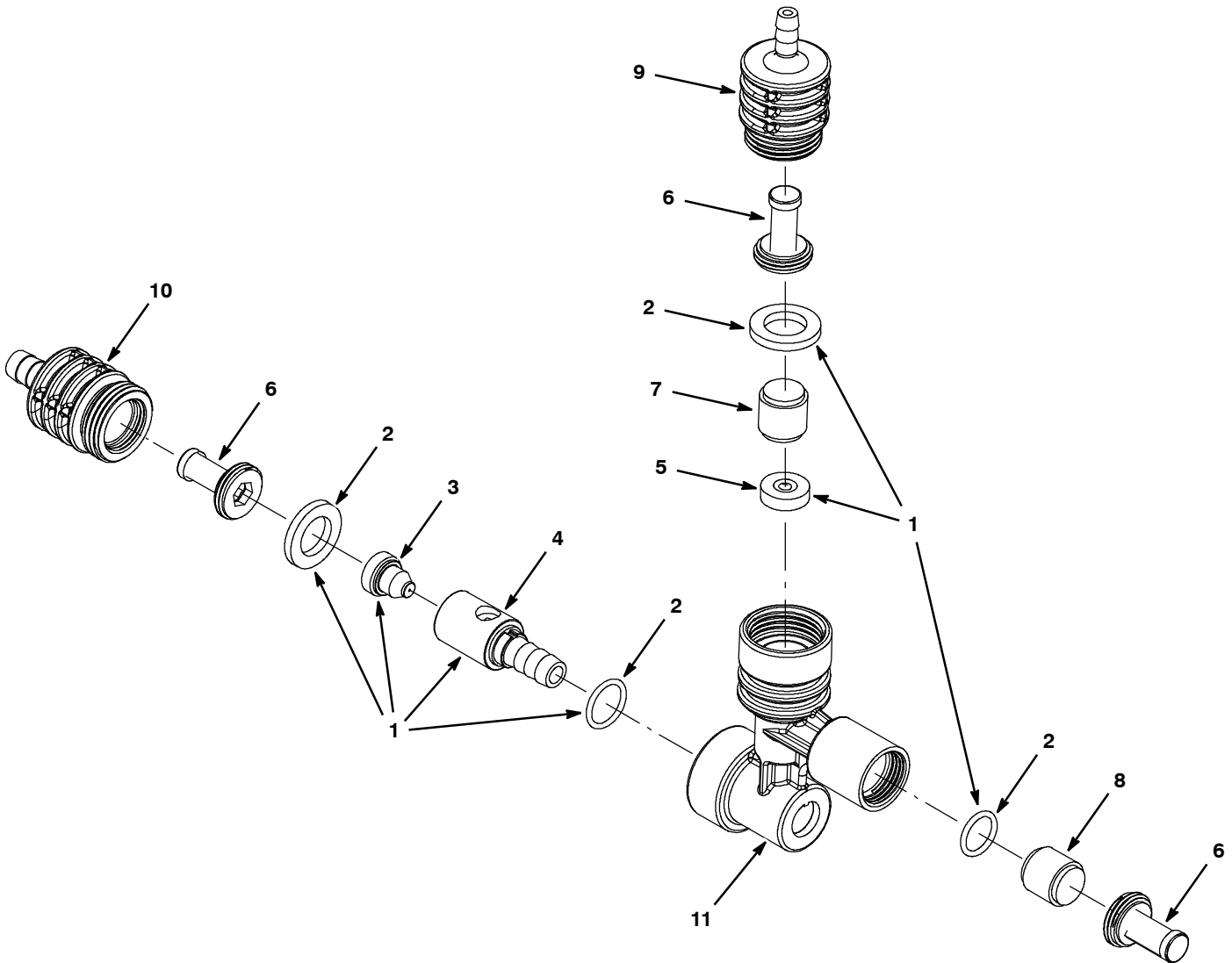
Ref.	Part No.	Serial Number	Description	Qty.	
1	54333	(10000000- 20000000)	Clamp, Hose, Wormdrive, 0.31- 0.88d, .31w	4	
2	9002542	(10000000- 20000000)	Hose, .38id X 0.6od Pvc 376720 Ft 3.5	1	
3	43555	(10000000- 20000000)	Clamp, Hose, Wormdrive, 2.50- 3.50d, .50w	2	
4	1023463	(10000000- 20000000)	Bracket, Mtg, Pump	1	
5	1034731	(10000000- 20000000)	Screw, Hex, M6 X 1.00 X 16, Ss, Sems	2	
6	630372	(10000000- 20000000)	Fitting, Plstc, Tee, Bm08/Bm06/Bm08	1	
7	607776	(10000000- 20000000)	Clamp, Hose, Wire, .73 - .77, Silver	5	
8	63245- 1	(10000000- 20000000)	Fitting, Plstc, Tee, Bm08/Bm08/Bm08	1	
9	613521	(10000000- 20000000)	Tubing 1/2idx3/4od Vnyl 611259 Ft 1.000	1	
10	1023537	(10000000- 20000000)	Bracket, Label, Soltn	1	
11	1024343	(10000000- 20000000)	Label, Soltn, Flow	1	
12	1017091	(10000000- 20000000)	Spring, Cmpr, 0.5od .036wir 00.8l	1	
13	1013442	(10000000- 20000000)	Knob, Valve, Indicator, Blk	1	
14	1213803	(10753815- 20000000)	Valve, Water, Solenoid, 24vdc Bm10/Bm10	1	
▽	14	1062385	(10000000- 10753814)	Valve, Water, Solenoid, 24vdc Bm10/Bm10	1
▲	15	614265	(10000000- 10753814)	Valve Kit, Water [Viton Diaphragm] (Repair Kit)	1
	16	1034731	(10000000- 20000000)	Screw, Hex, M6 X 1.00 X 16, Ss, Sems	2
	17	613521	(10000000- 20000000)	Tube, 0.50id X 0.75od Vyl 1.00ft[611259]	1
	18	9004748	(10000000- 20000000)	Hose, Pyu, Clr, 0.38id 0.62od 42l	1
	19	613531	(10000000- 20000000)	Tubing 1/2idx3/4od Vinyl 611259 Ft 3.750	1
	20	1017532	(10000000- 20000000)	Fitting, Plstc, E90, Bm08/Pm06	1
	21	613521	(10000000- 20000000)	Tube, 0.50id X 0.75od Vyl 1.00ft[611259]	1
▽	22	1014282	(10000000- 20000000)	Pump, Soltn, Ele, 24vdc, 60psi, Packard	1
▲	23	9001240	(10000000- 20000000)	Pump Kit, Head, Soltn	1
▲	24	78950	(10000000- 20000000)	Connector, Fem, 02cav, Mp280 Sealed	1
▲	25	78951	(10000000- 20000000)	Terminal, Fem, Mp280, Sealed, 18- 16ga	1
▲	26	10917	(10000000- 20000000)	Seal, Wire, 14/16ga [Wp / Mp280 Sealed]	1
▲	27	78952	(10000000- 20000000)	Lock, Secondary, 2cav, Mp280 Sealed	1
	28	1017386	(10000000- 20000000)	Valve, Air Vent, Float Type	1
	29	24698	(10000000- 20000000)	Fitting, Brs, Str, Pf02/Pm06	1
	30	601483	(10000000- 20000000)	Fitting, Brs, Tee, Pm06/Pf06, Strt, T	1
	31	1005630	(10000000- 20000000)	Fitting, Plstc, E90, Bm06/Pm06, Nyl	1
	32	607775	(10348538- 20000000)	Clamp, Hose, Wir, .63 - .66, Blk	3
	32	607775	(10000000- 10348537)	Clamp, Hose, Wir, .63 - .66, Blk	4
	33	1015455	(10000000- 20000000)	Valve, Check, Bm06/Bm06, 5psi	1
	34	606362	(10000000- 20000000)	Hose 3/8idx5/8odx6.5 (611254)	1

▽ ASSEMBLY

▲ INCLUDED IN ASSEMBLY

STANDARD PARTS

9008847 FAST INJECTOR ASSEMBLY BREAKDOWN (S/N 10538043-), 600 mm DISK & 650 mm CYLINDRICAL MODELS

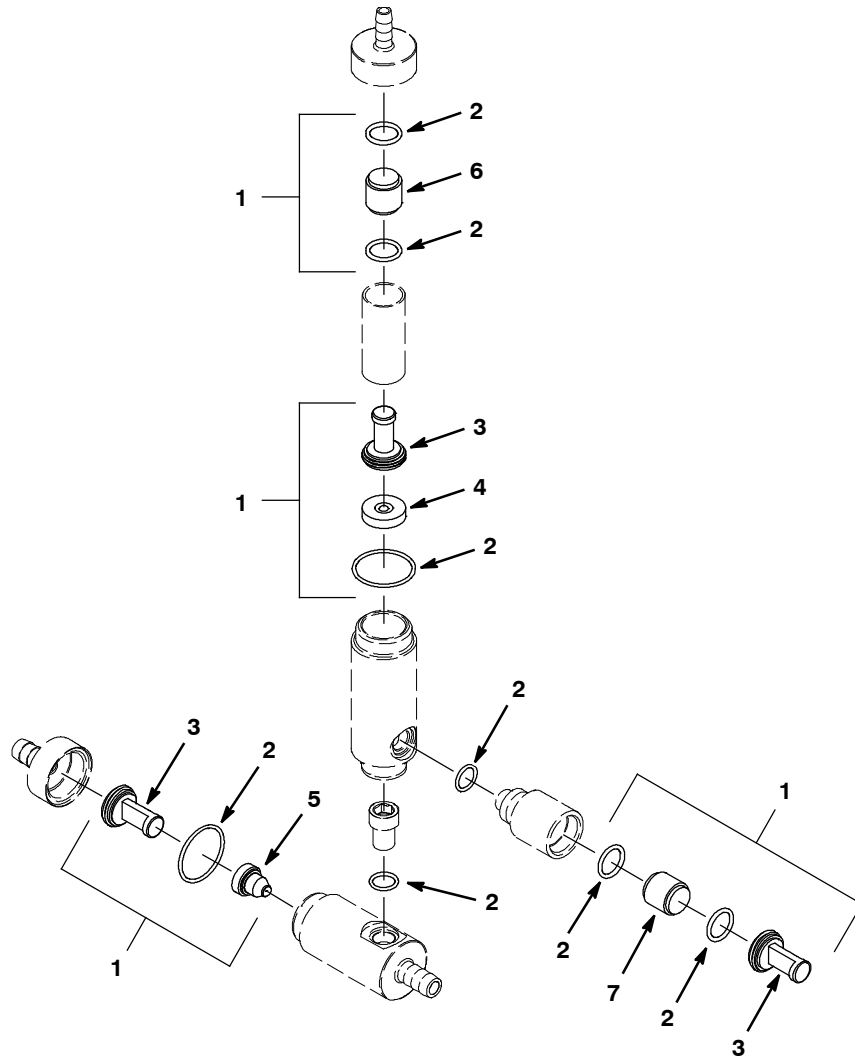


Ref.	Part No.	Serial Number	Description	Qty.
▽	9008847	(10538043-20000000)	Fast Kit, Injector[T5 60/65cm, Fast lii]	1
▲▽	1	9003811 (10538043-20000000)	Fast Kit, Ci[Inj Reblid, T5 60/65cm, li+]	1
▲▲	2	9008848 (10538043-20000000)	Fast Kit, Seal, Injector, Ci [Fast lii]	1
▲▲	3	1039989 (10348538-20000000)	Plug, Orifice, 0.030, Ss [Fast li+]	1
▲▲	4	1059250 (10538043-20000000)	Insert, Venturi, Medium, [Fast lii]	1
▲▲	5	1059869 (10538043-20000000)	Plate Assy, Orifice, 0.007id, Red	1
▲	6	9003009 (10348538-20000000)	Fast Kit, Ci, Injector Filters[Fast li+]	1
▲	7	1030444 (10348538-20000000)	Valve, Check, 0002psi [Fast li+]	1
▲	8	1030441 (10348538-20000000)	Valve, Check, 0005psi [Fast li+]	1
▲	9	1058126 (10538043-20000000)	Housing, Fltr, Upper [Fast lii]	1
▲	10	1057811 (10538043-20000000)	Housing, Fltr, Lower [Fast lii]	1
▲	11	1053564 (10538043-20000000)	Housing, Body, Injector [Fast lii]	1

▽ ASSEMBLY

▲ INCLUDED IN ASSEMBLY

9003907 FAST INJECTOR ASSEMBLY BREAKDOWN (S/N 10348538- 10538042)
600 mm DISK & 650 mm CYLINDRICAL MODELS



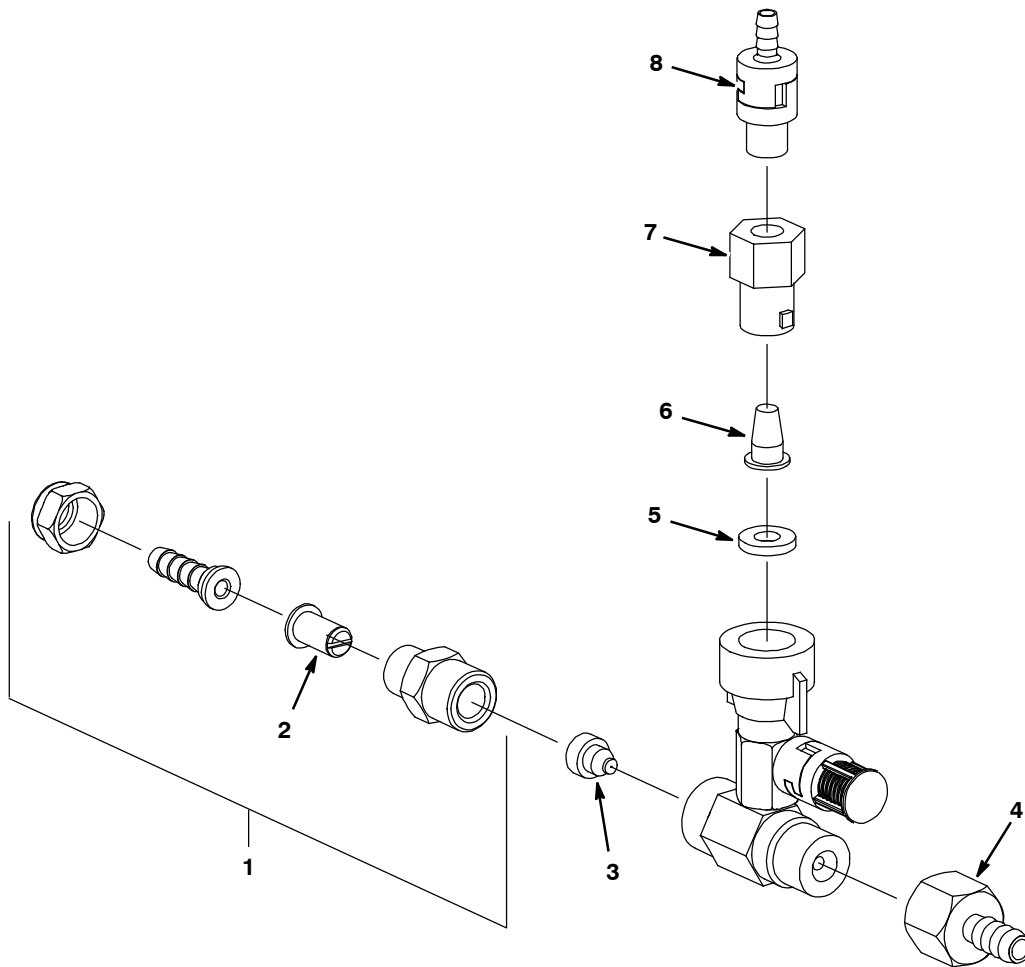
Ref.	Part No.	Serial Number	Description	Qty.
▽	9003907	(10348538- 10538042)	Fast Kit, Injector[T5 60/65cm, Fast li+]	1
▲	1	9003811 (10348538- 10538042)	Fast Kit, Ci[Inj Reblid, T5 60/65cm, li+]	1
▲	2	9003008 (10348538- 10538042)	Fast Kit, Ci, Injector Seals [Fast li+]	1
▲	3	9003009 (10348538- 20000000)	Fast Kit, Ci, Injector Filters[Fast li+]	1
▲	4	1032284 (10348538- 10538042)	Plate Assy, Orifice, 0.007id, Red	1
▲	5	1039989 (10348538- 20000000)	Plug, Orifice, 0.030, Ss [Fast li+]	1
▲	6	1030444 (10348538- 20000000)	Valve, Check, 0002psi [Fast li+]	1
▲	7	1030441 (10348538- 20000000)	Valve, Check, 0005psi [Fast li+]	1

▽ ASSEMBLY

▲ INCLUDED IN ASSEMBLY

STANDARD PARTS

9003810 FAST INJECTOR ASSEMBLY BREAKDOWN (S/N 10000000- 10348537) 600 mm DISK & 650 mm CYLINDRICAL MODELS

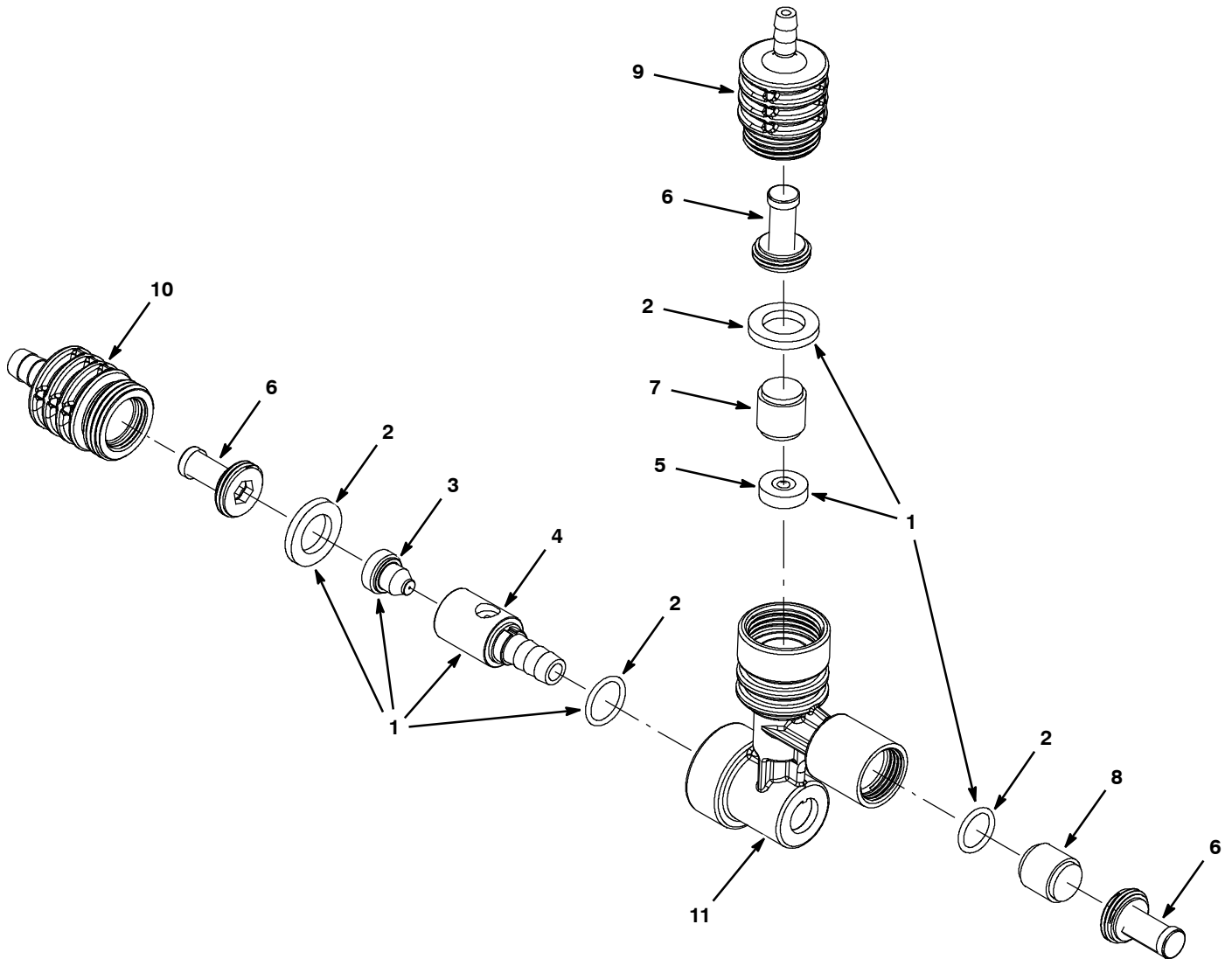


Ref.	Part No.	Serial Number	Description	Qty.
▽	9003810	(10000000- 10348537)	Fast Kit, Conv, Ci[T5 60/65cm, Fast li+]	1
▲	1	1013411 (10000000- 10348537)	Filter Assy, 050mesh	1
▲	2	1006447 (10000000- 10348537)	Vr, Filter, Screen, 050 Mesh .59d .8l Ss	1
	3	1039988 (10000000- 10348537)	Plug, Orifice, 0.027, Ss [Fast li+]	1
	4	1014276 (10000000- 10348537)	Fitting, Brs, Str, Bm06/Pf08	1
	5	1032284 (10000000- 10348537)	Plate Assy, Orifice, 0.007id, Red	1
	6	1029355 (10000000- 10348537)	Vr, Filter, Screen, 200 Mesh .59d .8l Ss	1
	7	1005507 (10000000- 10348537)	Fitting, Plstc, Body, Spray, Pf04	1
	8	1014254 (10000000- 10348537)	Valve, Check, 0002psi Bm04/Pm04	1

▽ ASSEMBLY

▲ INCLUDED IN ASSEMBLY

9008887 FAST INJECTOR ASSEMBLY BREAKDOWN (S/N 10582617-700 mm / 800 mm DISK & 800 mm CYLINDRICAL MODELS),



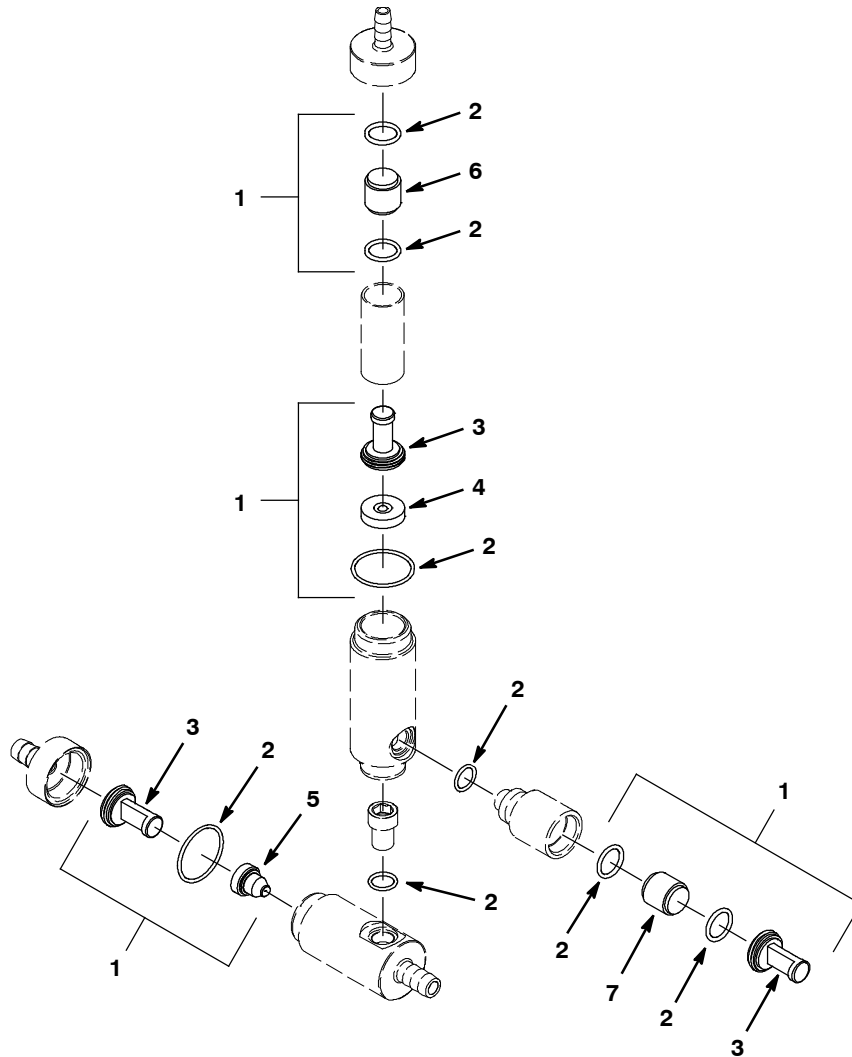
Ref.	Part No.	Serial Number	Description	Qty.
▽	9008887	(10582617-20000000)	Fast Kit, Injector[T5 70/80cm, Fast lii]	1
▲▽	1	9008888	Fast Kit, Ci[Inj Reblid, T5 70/80cm, lii]	1
▲▲	2	9008848	Fast Kit, Seal, Injector, Ci [Fast lii]	1
▲▲	3	1039579	Plug, Orifice, 0.033, Ss [Fast li+]	1
▲▲	4	1059250	Insert, Venturi, Medium, [Fast lii]	1
▲▲	5	1059875	Plate Assy, Orifice, 0.0075id, Blue	1
▲	6	9003009	Fast Kit, Ci, Injector Filters[Fast li+]	1
▲	7	1030444	Valve, Check, 0002psi [Fast li+]	1
▲	8	1030441	Valve, Check, 0005psi [Fast li+]	1
▲	9	1058126	Housing, Fltr, Upper [Fast lii]	1
▲	10	1057811	Housing, Fltr, Lower [Fast lii]	1
▲	11	1053564	Housing, Body, Injector [Fast lii]	1

▽ ASSEMBLY

▲ INCLUDED IN ASSEMBLY

STANDARD PARTS

9003908 FAST INJECTOR ASSEMBLY BREAKDOWN (S/N 10347532- 10582616) 700 mm / 800 mm DISK & 800 mm CYLINDRICAL MODELS

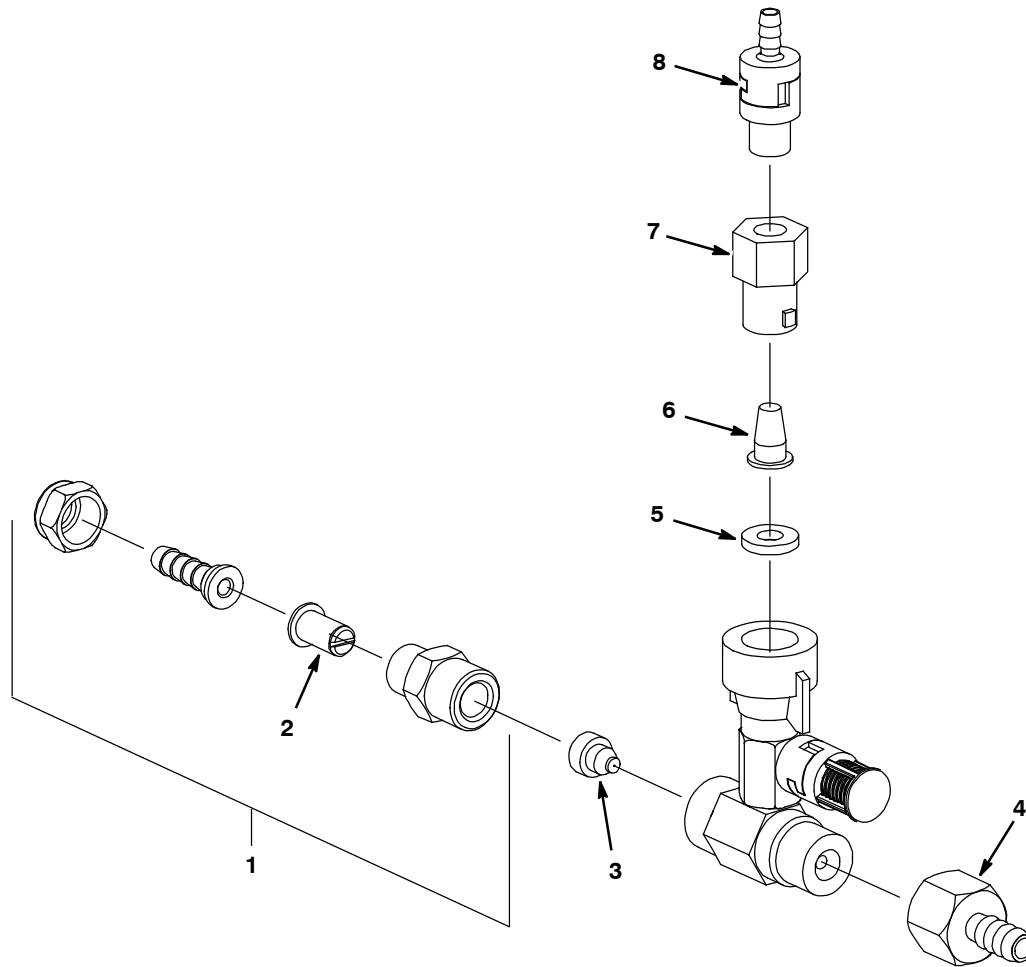


Ref.	Part No.	Serial Number	Description	Qty.
▽	9003908	(10347532- 10582616)	Fast Kit, Injector[T5 70/80cm, Fast li+]	1
▲	1	9003813	(10347532- 10582616) Fast Kit, Ci[lnj Rebl'd, T5 70/80cm, li+]	1
▲	2	9003008	(10347532- 10582616) Fast Kit, Ci, Injector Seals [Fast li+]	1
▲	3	9003009	(10347532- 20000000) Fast Kit, Ci, Injector Filters[Fast li+]	1
▲	4	1039978	(10347532- 10582616) Plate Assy, Orifice, 0.0075id, Blu	1
▲	5	1039579	(10347532- 20000000) Plug, Orifice, 0.033, Ss [Fast li+]	1
▲	6	1030444	(10347532- 20000000) Valve, Check, 0002psi [Fast li+]	1
▲	7	1030441	(10347532- 20000000) Valve, Check, 0005psi [Fast li+]	1

▽ ASSEMBLY

▲ INCLUDED IN ASSEMBLY

**9003812 FAST INJECTOR ASSEMBLY BREAKDOWN (S/N 1000000- 10347531)
700 mm / 800 mm DISK & 800 mm CYLINDRICAL MODELS**

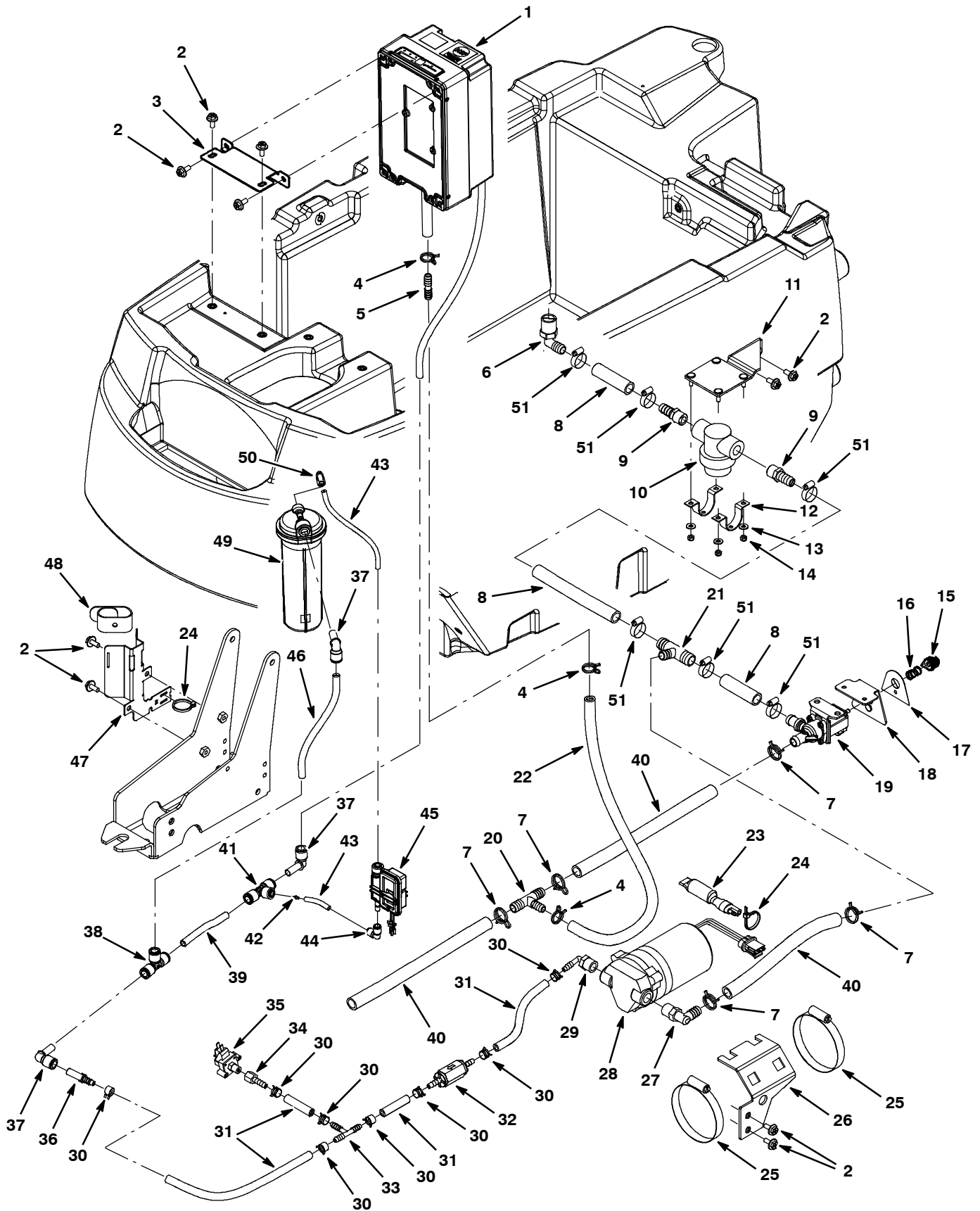


Ref.	Part No.	Serial Number	Description	Qty.
▽	9003812	(1000000- 10347531)	Fast Kit, Conv, Ci[T5 70/80cm, Fast li+]	1
▲	1	1013411 (1000000- 10347531)	Filter Assy, 050mesh	1
▲	2	1006447 (1000000- 10347531)	Vr, Filter, Screen, 050 Mesh .59d .8l Ss	1
	3	1039579 (1000000- 10347531)	Plug, Orifice, 0.033, Ss [Fast li+]	1
	4	1014276 (1000000- 10347531)	Fitting, Brs, Str, Bm06/Pf08	1
	5	1039978 (1000000- 10347531)	Plate Assy, Orifice, 0.0075id, Blu	1
	6	1029355 (1000000- 10347531)	Vr, Filter, Screen, 200 Mesh .59d .8l Ss	1
	7	1005507 (1000000- 10347531)	Fitting, Plstc, Body, Spray, Pf04	1
	8	1014254 (1000000- 10347531)	Valve, Check, 0002psi Bm04/Pm04	1

▽ ASSEMBLY

▲ INCLUDED IN ASSEMBLY

SOLUTION GROUP, *ec-H2O* NANOCLEAN MODEL (S/N 10740996-)



SOLUTION GROUP, *ec-H2O* NANOCLEAN MODEL (S/N 10740996-)

Ref.	Part No.	Serial Number	Description	Qty.
1	9011810	(10740996-20000000)	Module Kit, Replmt [Ec- H2o, B 02] (See Breakdown)	1
2	1034731	(10740996-20000000)	Screw, Hex, M6 X 1.00 X 16, Sems, Ss	10
3	1040881	(10740996-20000000)	Bracket, Mtg, Martini [T5]	1
4	607775	(10740996-20000000)	Clamp, Hose, Wir, .63 - .66, Blk	3
5	20950	(10740996-20000000)	Fitting, Plstc, Str, Bm06/Bm06	1
6	1013505	(10740996-20000000)	Fitting, Plstc, E90, Bm08/Pm08, Hdpe	1
7	607776	(10740996-20000000)	Clamp, Hose, Wir, .73 - .77, Silver	5
8	613512	(10740996-20000000)	Hose, Pvc, Clr, 0.50id 0.75od 003.1l	1
9	14884	(10740996-20000000)	Fitting, Brs, Str, Bm08/Pm06 [Taped]	2
▽	10	1005302	(10740996-20000000) Filter, In- Line, Pf06/Pf06 080mesh 02.6l	1
▲		613993	(10740996-20000000) Housing, Top, F/1005302	1
▲		1005304	(10740996-20000000) Screen, Fltr, 80 Mesh, Ss	1
▲		613992	(10740996-20000000) Gasket [Viton, F/1005302]	1
▲		613991	(10740996-20000000) Bowl, Clr, Short, F/1005302	1
	11	1023543	(10740996-20000000) Bracket Wldt, Mtg, Filter	1
	12	605056	(10740996-20000000) Bracket, Mtg, Fltr	1
	13	01683	(10740996-20000000) Washer, Flat, 10, Ss	1
	14	09739	(10740996-20000000) Nut, Hex, Lock, M5 X 0.80, NI, Ss	1
	15	1013442	(10740996-20000000) Knob, Valve, 0.70d 0.61l, 0.21b	1
	16	1017091	(10740996-20000000) Spring, Cmpr, 0.50od .04wir 00.8l	1
	17	1024343	(10740996-20000000) Label, Opertnl, Soltn Flow	1
	18	1023537	(10740996-20000000) Bracket, Label, Soltn	1
	19	1213803	(10753815-20000000) Valve, Water, Solenoid, 24vdc Bm10/Bm10	1
▽	19	1062385	(10740996-10753814) Valve, Water, Solenoid, 24vdc Bm10/Bm10	1
▲		614265	(10740996-10753814) Valve Kit, Water [Viton Diaphragm] (Repair Kit)	1
	20	630372	(10740996-20000000) Fitting, Plstc, Tee, Bm06/Bm08/Bm08, Br	1
	21	63245- 1	(10740996-20000000) Fitting, Plstc, Tee, Bm08/Bm08/Bm08	1
	22	1006400	(10740996-20000000) Hose, Afmkt, Pvc, Brd, 0.38id, 03ft, Clr	1
	23	1040868	(10740996-20000000) Capacitor, Plug [.01 Uf, 200v]	1
	24	130773	(10740996-20000000) Tie, Cable, Nyl, 11.0l, .14w, 3.0 Max. D	2
	25	43555	(10740996-20000000) Clamp, Hose, Wormdrive, 2.62- 3.50d	2
	26	1023463	(10740996-20000000) Bracket, Mtg, Pump [T5]	1
	27	1017532	(10740996-20000000) Fitting, Plstc, E90, Bm08/Pm06	1
	28	1042495	(10740996-20000000) Pump, Soltn, Ele, 24vdc, 35psi	1
	29	150417	(10740996-20000000) Fitting, Plstc, E90, Bm04/Pm06	1
	30	603654	(10740996-20000000) Clamp, Hose, Ear, .44d [Ctb]	3
	31	9014210	(10740996-20000000) Hose, Afmkt. Pvc, Brd .25id .44od, 05ft	1
	32	1216878	(10740996-20000000) Valve, Check, 0001psi Bm04/Bm04	1
	33	150713	(10740996-20000000) Fitting, Plstc, Tee, Bm04/Bm04/Bm04	1
	34	150520	(10740996-20000000) Fitting, Brs, Str, Bm04/Pf02	1
	35	1044414	(10740996-20000000) Switch, Press, 15psi, Pm02	1
	36	1212857	(10740996-20000000) Fitting, Plstc, Str, Qm06/Bm04	1
	37	1215186	(10740996-20000000) Fitting, Plstc, E90, Qf06/Qm06	1
	38	1212573	(10740996-20000000) Fitting, Plstc, Tee, Qf06/Qf06/Qf06	1
	39	1014987	(10740996-20000000) Hose, Afmkt, Pvc, Clr, 0.25id, 01ft	1
	40	613531	(10740996-20000000) Hose, Pvc, Clr, 0.50id 0.75od 045.0l	1

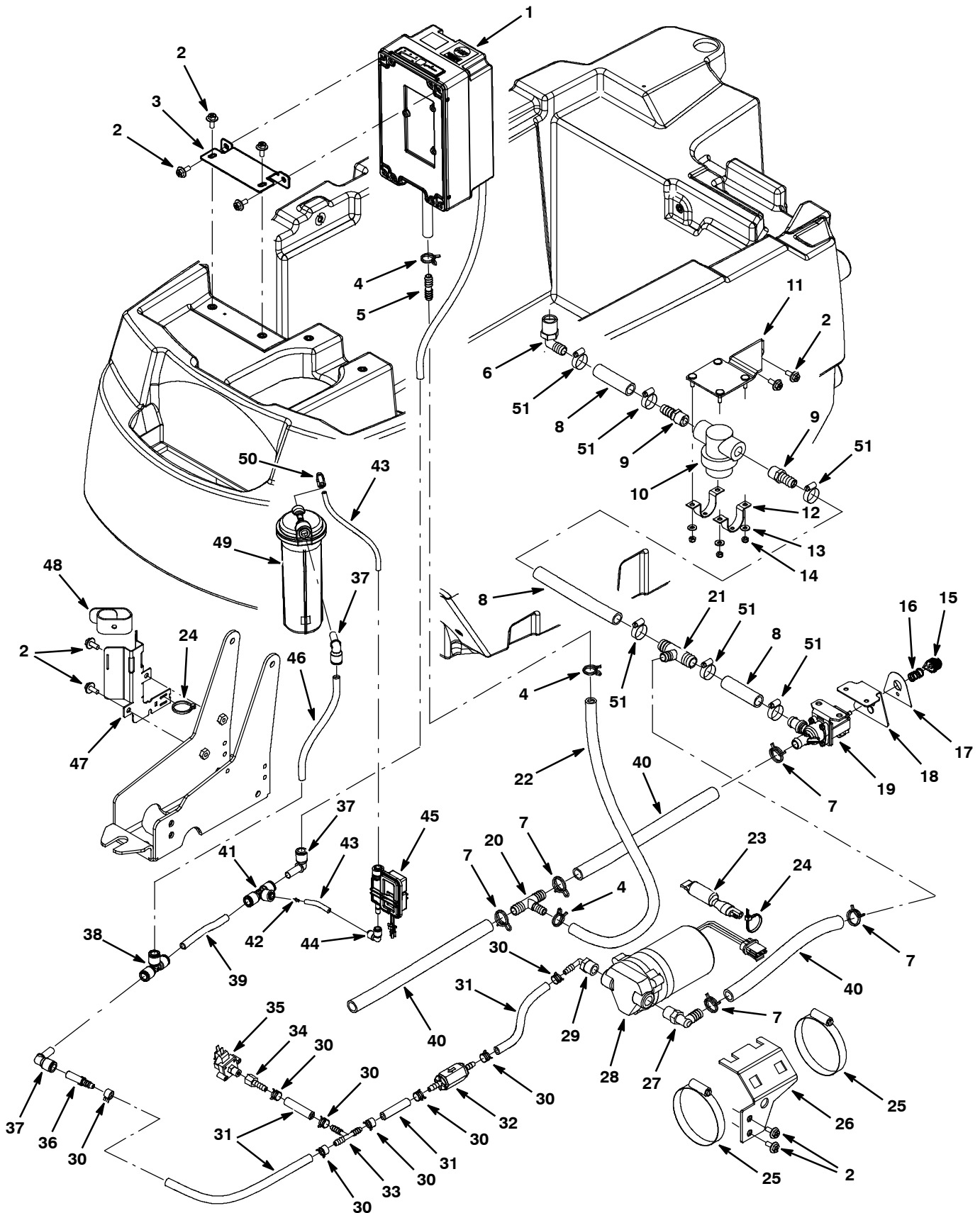
▽ ASSEMBLY

▲ INCLUDED IN ASSEMBLY

STANDARD PARTS

SOLUTION GROUP, *ec-H2O* NANOCLEAN MODEL (S/N 10740996-

) - CONT'D



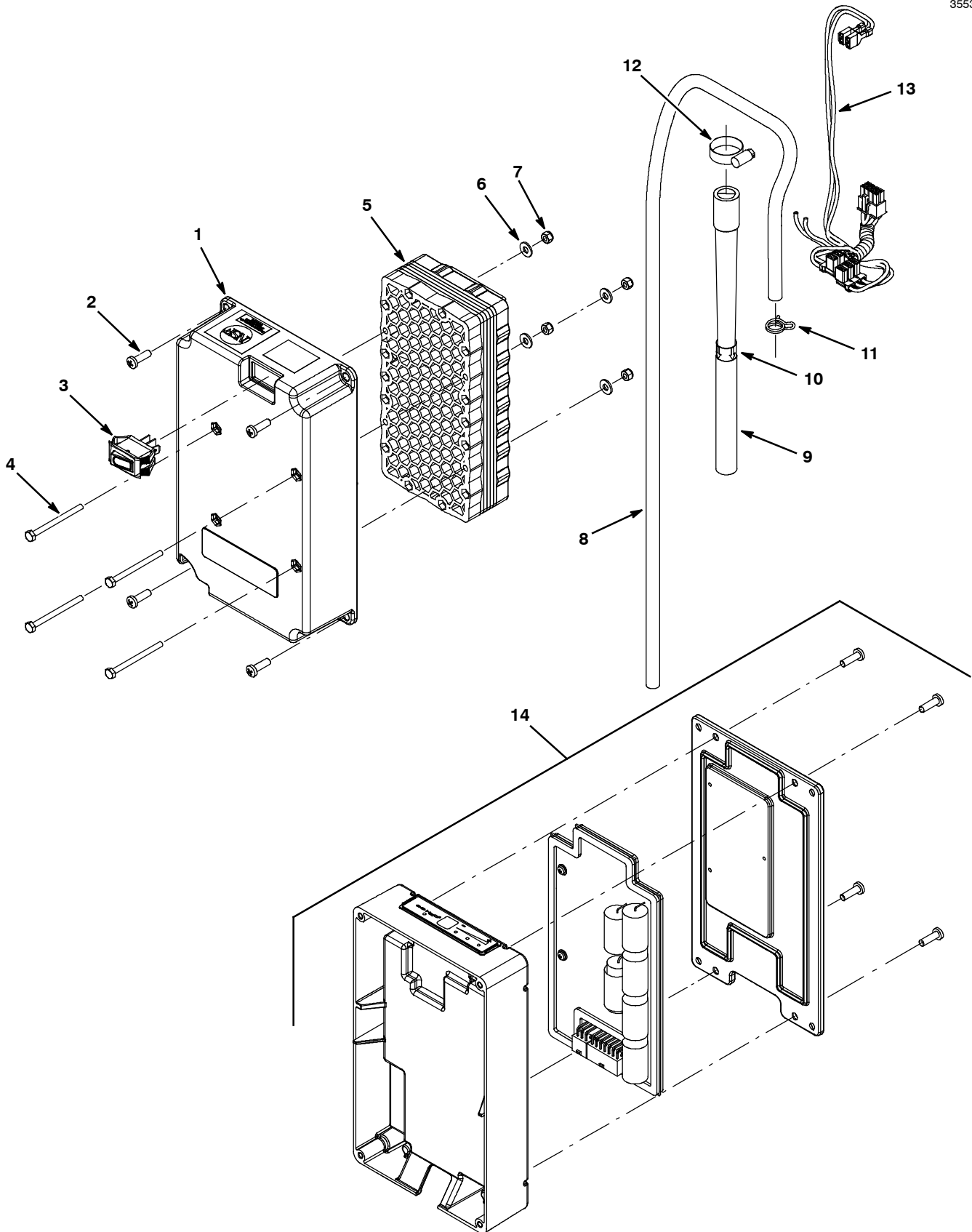
SOLUTION GROUP, *ec-H2O* NANOCLEAN MODEL (S/N 10740996-) - CONT'D

Ref.	Part No.	Serial Number	Description	Qty.
41	1212855	(10740996- 20000000)	Fitting, Plstc, Tee, Qf04/Qf06/Qf06	1
42	1214972	(10740996- 20000000)	Fitting, Orifice, Str, Bm01/Bm/01	1
43	9014211	(10740996- 20000000)	Hose, Afmkt, Pvc, Grn .06id .25od, 02ft	1
44	1217763	(10740996- 20000000)	Fitting, Plstc, E90, Qf04/Qf04	1
45	1216973	(10740996- 20000000)	Pump Assy, Dispenser	1
46	9014212	(10740996- 20000000)	Hose, Afmkt, Pvc, Grn 0.06id .38od, 02ft	1
47	1215755	(10740996- 20000000)	Bracket, Mtg, Ec- H20 Wcm [T5 Disk]	1
47	1220598	(10740996- 20000000)	Bracket, Mtg, Ec- H20 Wcm [T5 Cyl]	1
48	1059534	(10740996- 20000000)	Fastener, 09.00l [Hook & Loop]	1
49	9013646	(10740996- 20000000)	Cartridge, Ec- H2o Nanoclean Wcm, 270ml	1
50	1214339	(10740996- 20000000)	Fitting, Plstc, E90, Qfo4/Qm04	1
51	54333	(10740996- 20000000)	Clamp, Hose, Wormdrive, 0.31- 0.88d, .31w	6

STANDARD PARTS

ec-H2O NANOCLEAN MODULE BREAKDOWN, 9011810 (S/N 10740996-)

355317



ec-H2O NANOCLEAN MODULE BREAKDOWN, 9011810 (S/N 10740996-)

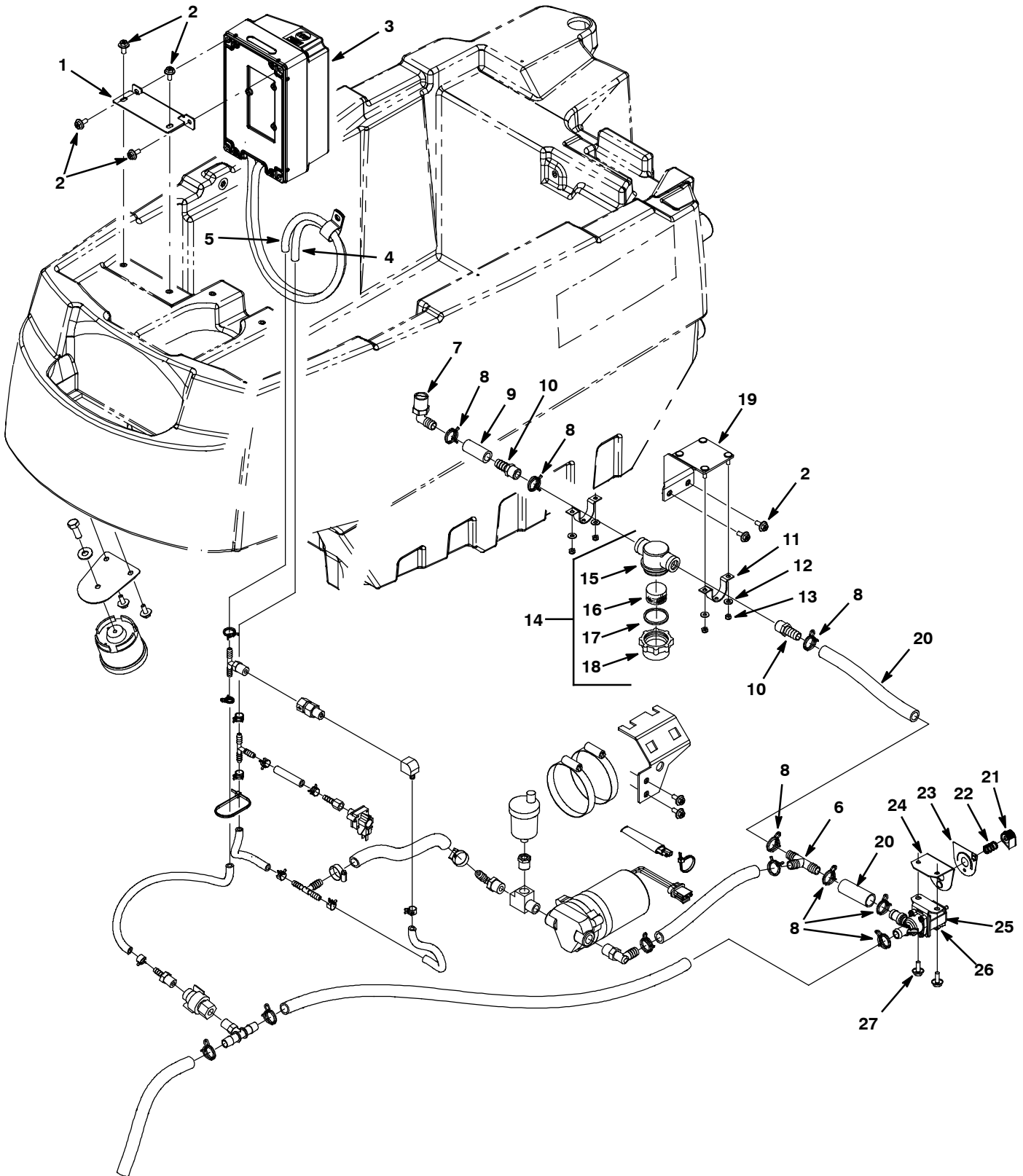
Ref.	Part No.	Serial Number	Description	Qty.
▽	9011810	(10740996- 20000000)	Module Kit, Replmt [Ec- H2o, B 02]	1
▲▽	9014126	(10740996- 20000000)	Ec- H2o Nc Kit [Module B, Plumbing]	1
▲▲	1 1208823	(10740996- 20000000)	Housing, Module, Upper, Ec- H2o	1
▲▲	2 1015506	(10740996- 20000000)	Screw, Pan, Phl, M5 X 16, Tcut [Plastic]	4
▲▲	3 1044393	(10740996- 20000000)	Switch, Rocker, Spst, Mom	1
▲▲	4 32509	(10740996- 20000000)	Screw, Hex, M4 X 0.70 X 50, Ss	4
▲▲	5 1208164	(10740996- 20000000)	Electrode, 5 Plate, High Flow	1
▲▲	6 41579	(10740996- 20000000)	Washer, Flat, 08, Ss	4
▲▲	7 33932	(10740996- 20000000)	Nut, Hex, Lock, M4 X 0.70, Nl, Ss	4
▲▲	8 1006415	(10740996- 20000000)	Hose, Afmkt, Pvc, Clr, 0.25id, 03ft	1
▲▲	9 1208526	(10740996- 20000000)	Hose, Molded, Bm08/Bm06	1
▲▲	10 1049637	(10740996- 20000000)	Label, Direction [Ec- H2o]	1
▲▲	11 613735	(10740996- 20000000)	Clamp, Hose, Wir, .40 - .42, Yel	1
▲▲	12 54333	(10740996- 20000000)	Clamp, Hose, Wormdrive, 0.31- 0.88d, .31w	1
▲▲	13 1073286	(10740996- 20000000)	Harness, Ele, Module B2 [Ec- H2o]	1
▲	14 9014127	(10740996- 20000000)	Controller Kit, Replmt [Ec- H2o Nc]	1

▽ ASSEMBLY

▲ INCLUDED IN ASSEMBLY

STANDARD PARTS

SOLUTION GROUP, *ec-H2O* MODEL (S/N 1000000-10740995)



SOLUTION GROUP, *ec-H2O* MODEL (S/N 1000000- 10740995)

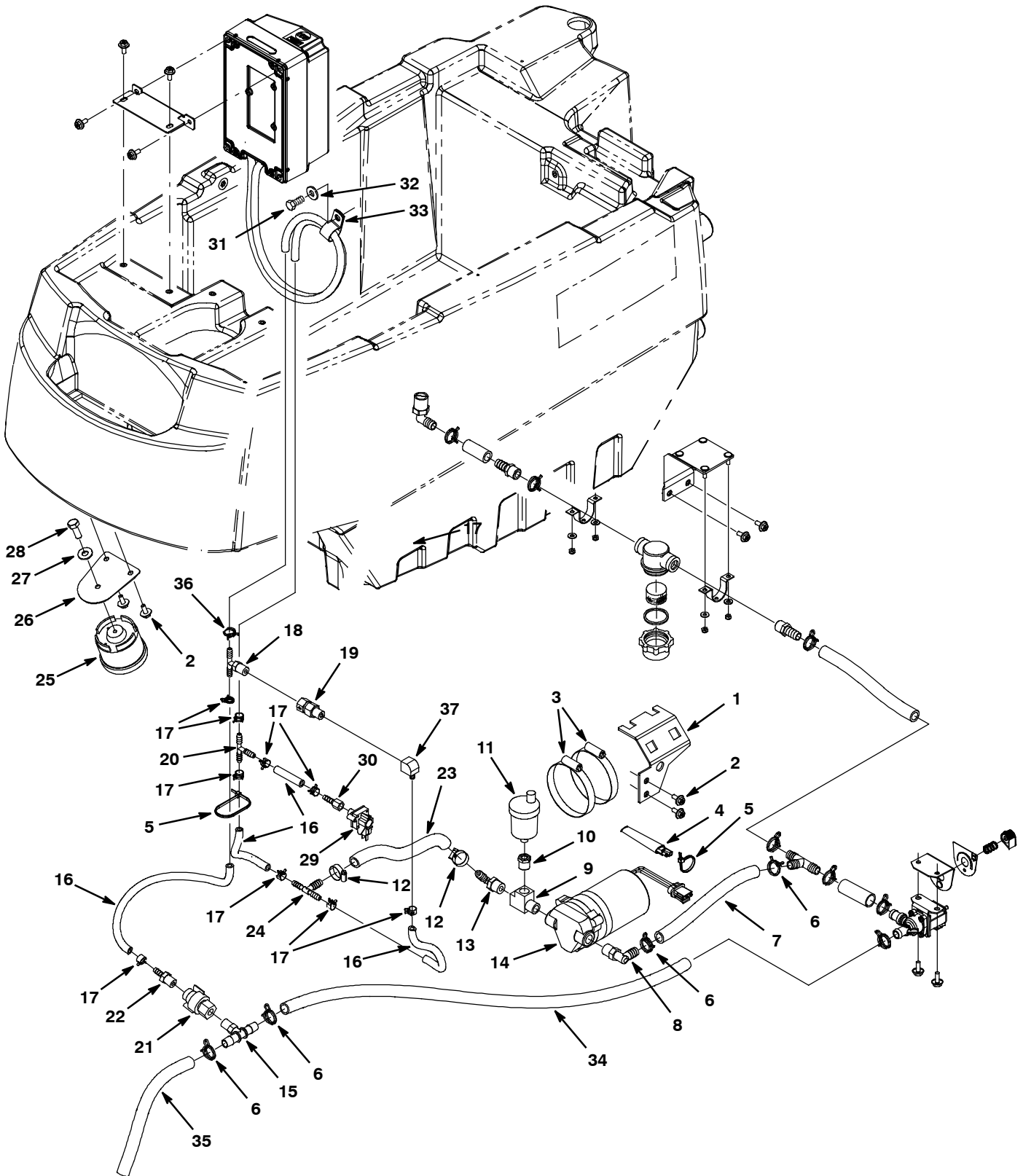
Ref.	Part No.	Serial Number	Description	Qty.
	1	1045965	(10378380- 10740995) Bracket, Mtg, Martini [No2][Ss5]	1
	2	1034731	(10378380- 10740995) Screw, Hex, M6 X 1.00 X 16, Sems, Ss	6
▽	3	9007970	(10448305- 10740995) Module Kit, Replmt [Ec- H2o] (See Breakdown)	1
▲	4	578820000	(10378380- 10740995) Hose, Pvc, Brd, 0.25id 0.44od 157.2l,Clr	1
▲	5	9004606	(10378380- 10740995) Hose, Pvc, Clr, 0.25id 0.38od 064.0l	1
	6	63245- 1	(10000000- 10740995) Fitting, Plstc, Tee, Bm08/Bm08/Bm08	1
	7	1013505	(10000000- 10740995) Fitting, Plstc, E90, Bm08/Pm08, Nyl	1
	8	607776	(10000000- 10740995) Clamp, Hose, Wir, .73 - .77, Silver	7
	9	069760725	(10000000- 10740995) Hose, Pvc, Clr, 0.50id 0.75od 003.0l	1
	10	14884	(10000000- 10740995) Fitting, Brs, Str, Bm08/Pm06 [Taped]	2
	11	605056	(10000000- 10740995) Bracket, Mtg, Fltr	2
	12	01683	(10000000- 10740995) Washer, Flat, 10, Ss	4
	13	09739	(10000000- 10740995) Nut, Hex, Lock, M5 X 0.80, NI, Ss	4
▽	14	1005302	(10000000- 10740995) Filter, In- Line, Pf06/Pf06 080mesh 02.6l	1
▲	15	613993	(10000000- 10740995) Housing, Top, F/1005302	1
▲	16	1005304	(10000000- 10740995) Screen, Fltr, 80 Mesh, Ss	1
▲	17	613992	(10000000- 10740995) Gasket [Viton, F/1005302]	1
▲	18	613991	(10000000- 10740995) Bowl, Clr, Short, F/1005302	1
	19	1023543	(10000000- 10740995) Bracket Wldt, Mtg, Filter	1
	20	613521	(10000000- 10740995) Hose, Pvc, Clr, 0.50id 0.75od 012.0l	1
	21	1013442	(10000000- 10740995) Knob, Valve, Indicator, Blk	1
	22	1017091	(10000000- 10740995) Spring, Cmpr, 0.50od .04wir 00.8l	1
	23	1024343	(10000000- 10740995) Label, Opertnl, Soltn Flow	1
	24	1023537	(10000000- 10740995) Bracket, Label, Soltn	1
▽	25	1062385	(10000000- 10740995) Valve, Water, Solenoid, 24vdc Bm10/Bm10	1
▲	26	614265	(10000000- 10740995) Valve Kit, Water [Viton Diaphram] (Repair Kit)	1
	27	1034731	(10000000- 10740995) Screw, Hex, M6 X 1.00 X 16, Ss, Sems	2

▽ ASSEMBLY

▲ INCLUDED IN ASSEMBLY

STANDARD PARTS

SOLUTION GROUP, *ec-H2O* MODEL (S/N 1000000-10740995) - CONT'D



SOLUTION GROUP, *ec-H2O* MODEL (S/N 1000000- 10740995) - CONT'D

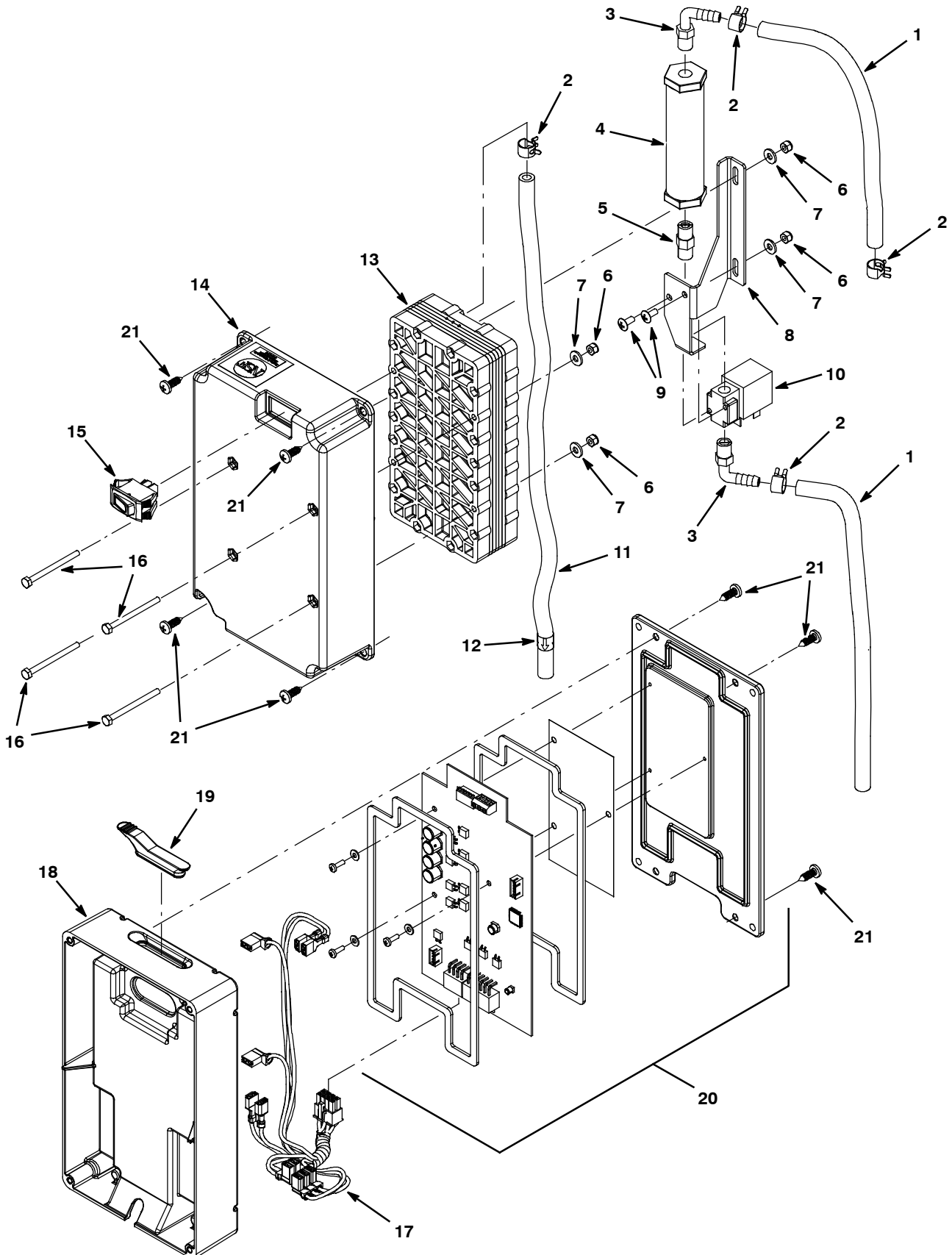
Ref.	Part No.	Serial Number	Description	Qty.	
1	1023463	(1000000- 10740995)	Bracket, Mtg, Pump [T5]	1	
2	1034731	(1000000- 10740995)	Screw, Hex, M6 X 1.00 X 16, Sems, Ss	4	
3	43555	(1000000- 10740995)	Clamp, Hose, Wormdrive, 2.50- 3.50d, .50w	2	
4	1040868	(10378380- 10740995)	Capacitor, Plug [.01 Uf, 200v]	1	
5	130773	(10378380- 10740995)	Tie, Cable, Nyl, 11.0l, .14w, 3.0 Max. D	2	
6	607776	(1000000- 10740995)	Clamp, Hose, Wir, .73 - .77, Silver	4	
7	613521	(10378380- 10740995)	Hose, Pvc, Clr, 0.50id 0.75od 012.0l	1	
8	1017532	(1000000- 10740995)	Fitting, Plstc, E90, Bm08/Pm06	1	
9	601483	(1000000- 10740995)	Fitting, Brs, Tee, Pf06/Pf06/Pm06, Run	1	
10	24698	(1000000- 10740995)	Fitting, Brs, Str, Pf02/Pm06	1	
11	1017386	(1000000- 10740995)	Valve, Vent, Air, Float Type	1	
12	54333	(1000000- 10740995)	Clamp, Hose, Wormdrive, 0.31- 0.88d, .31w	2	
13	1005630	(1000000- 10740995)	Fitting, Plstc, E90, Bm06/Pm06, Nyl	1	
▽	14	1042495	(10378380- 10740995)	Pump, Soltn, Ele, 24vdc, 35psi	1
▲	9004759	(10378380- 10740995)	Pump Kit, Head, Soltn [Echo]	1	
▲	78950	(1000000- 10740995)	Connector, Fem, 2cav, Mp280 Sealed	1	
▲	78951	(1000000- 10740995)	Terminal, Fem, Mp280, Sealed, 18- 16ga	1	
▲	10917	(1000000- 10740995)	Seal, Wire, 14/16ga [Wp / Mp280 Sealed]	1	
▲	78952	(1000000- 10740995)	Lock, Secondary, 2cav, Mp280 Sealed	1	
15	1010791	(10378380- 10740995)	Fitting, Plstc, Tee, Bm08/Bm08/Pm04, Br	1	
16	578820000	(10378380- 10740995)	Hose, Pvc, Brd, 0.25id 0.44od 157.2l,Clr	1	
17	603654	(10378380- 10740995)	Clamp, Hose, Ear, .44d [Ctb]	9	
18	607306	(10378380- 10740995)	Fitting, Plstc, Tee, Bm04/Bm04/Pm04, Br	1	
19	1044790	(10378380- 10740995)	Valve, Check, 0025psi Pm04/Pf04	1	
20	150713	(10378380- 10740995)	Fitting, Plstc, Tee, Bm04/Bm04/Bm04	1	
21	1043866	(10378380- 10740995)	Fitting Assy, Qd, Pf04	1	
22	50901	(10378380- 10740995)	Fitting, Plstc, Str, Bm04/Pm04	2	
23	1006400	(10378380- 10740995)	Hose, Afmkt, Pvc, Brd, 0.38id, 03ft, Clr	1	
24	1014441	(10378380- 10740995)	Fitting, Plstc, Tee, Bm04/Bm04/Bm06, Br	1	
25	1018505	(10455033- 10740995)	Horn, 12- 48vdc [88.5 Decibels]	1	
25	392937	(10378380- 10455032)	Horn, 12- 48vdc [94 Decibels]	1	
26	1044192	(10378380- 10740995)	Bracket, Mtg, Horn, Echo	1	
27	01685	(10378380- 10740995)	Washer, Flat, 0.38b 0.88d .08, Ss	1	
28	01697	(10378380- 10740995)	Screw, Hex, .25- 20 X 0.62, Ss	1	
29	1044414	(10378380- 10740995)	Switch, Press, 12psi, Pm02	1	
30	150520	(10378380- 10740995)	Fitting, Brs, Str, Bm04/Pf02	1	
31	12273	(10378380- 10740995)	Screw, Hex, M8 X 1.25 X 20, NI, Ss	1	
32	69461	(10378380- 10740995)	Washer, Flat, 0.38b 0.88d .12, Stl, Pl	1	
33	69234	(10378380- 10740995)	Clamp, Cable, Stl, 1.00d X 0.75w, 1hole	1	
34	613531	(1000000- 10740995)	Hose, Pvc, Clr, 0.50id 0.75od 045.0l	1	
35	613521	(1000000- 10740995)	Hose, Pvc, Clr, 0.50id 0.75od 012.0l	1	
36	613735	(10378380- 10740995)	Clamp, Hose, Wir, .40 - .42, Yel	1	
37	1028773	(1000000- 10740995)	Fitting, Brs, E90, Bm04/Pf04	1	

▽ ASSEMBLY

▲ INCLUDED IN ASSEMBLY

STANDARD PARTS

ec-H2O MODULE ASSEMBLY BREAKDOWN, 9007970 (S/N 10448305- 10740995)



ec-H2O MODULE ASSEMBLY BREAKDOWN, 9007970 (S/N 10448305- 10740995)

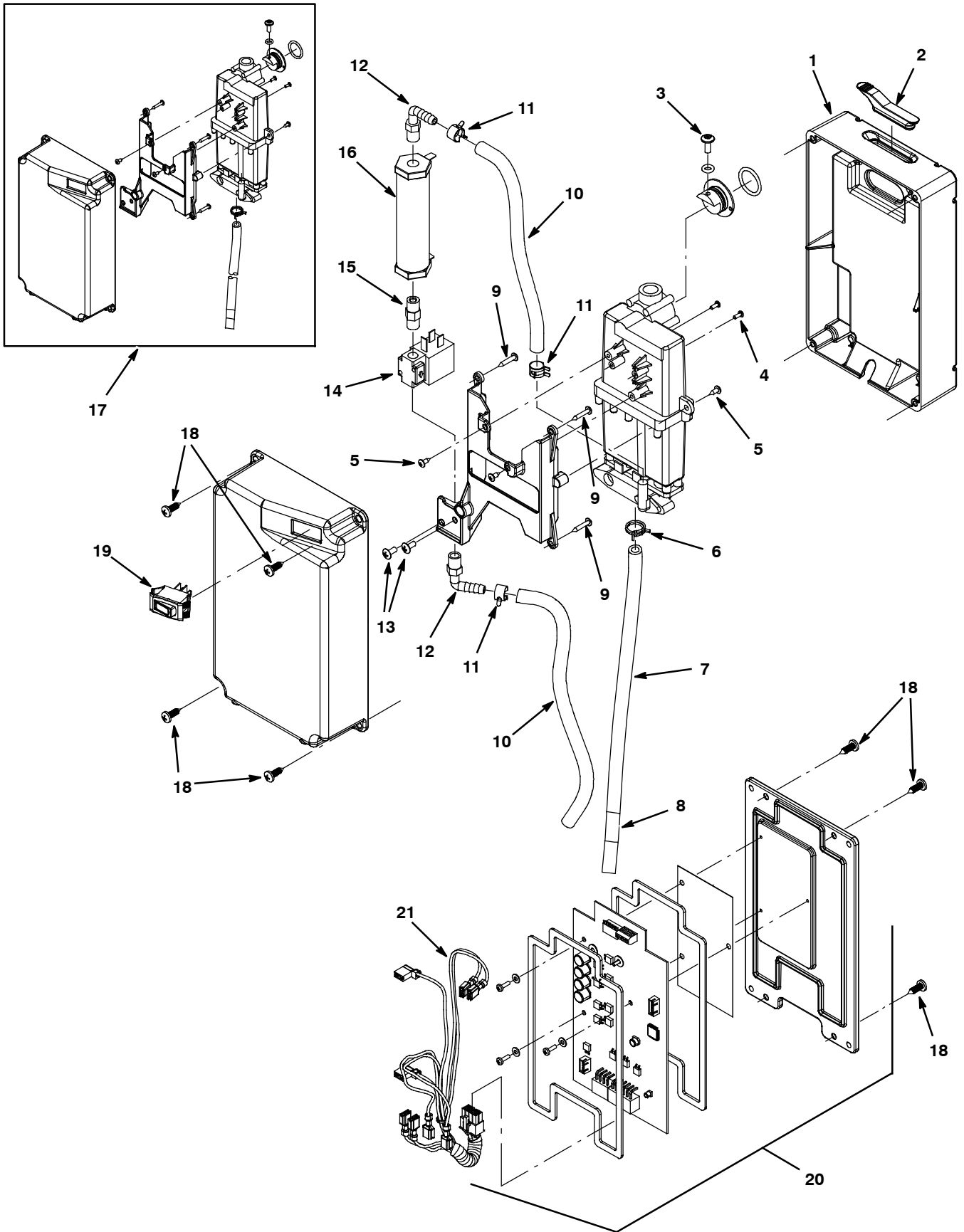
Ref.	Part No.	Serial Number	Description	Qty.
▽	9007970	(10448305- 10740995)	Module Kit, Replmt [Ec- H2o]	1
▲▽	9006324	(10448305- 10740995)	Ec- H2o Kit [Module B, Plumbing]	1
▲▲	1 578820000	(10378380- 10740995)	Hose, Pvc, Brd, 0.25id 0.44od 157.2l,Clr	1
▲▲	2 603654	(10378380- 10740995)	Clamp, Hose, Ear, .44d [Ctb]	4
▲▲	3 1037595	(10378380- 10740995)	Fitting, Plstc, E90, Bm04/Pm02, Nyl	2
▲▲	4 1062006	(10448305- 10740995)	Electrode, Cylindrical	1
▲▲	5 1045030	(10378380- 10740995)	Fitting, Brs, Str, Pm02/Pm02	1
▲▲	6 33932	(10448305- 10740995)	Nut, Hex, Lock, M4 X 0.70, NI, Ss	4
▲▲	7 41579	(10448305- 10740995)	Washer, Flat, 08, Ss	4
▲▲	8 1048490	(10448305- 10740995)	Bracket, Valve	1
▲▲	9 140801	(10378380- 10740995)	Screw, Trs, Phl, 08- 32 X 0.38, Ss	2
▲▲	10 1013236	(10378380- 10740995)	Valve, Shutoff, Ele, 24vdc	1
▲▲	11 9006574	(10448305- 10740995)	Hose, Pvc, Brd, 0.25id 0.45od, 65l, Clr	1
▲▲	12 1049637	(10378380- 10740995)	Label, Direction [Ec- H2o]	1
▲▲	13 1057637	(10448305- 10740995)	Electrode, 5 Plate, High Flow	1
▲▲	14 1051519	(10448305- 10740995)	Housing, Upper, Module, High Flow	1
▲▲	15 1044393	(10378380- 10740995)	Switch, Rocker, Spst, Mom,	1
▲▲	16 32509	(10448305- 10740995)	Screw, Hex, M4 X 0.70 X 50, Ss	4
▲▲	17 1049489	(10448305- 10740995)	Harness, Main, Controller [Ec- H2o, P3]	1
▲	18 1037032	(10378380- 10740995)	Housing, Bottom	1
▲	19 1054776	(10378380- 10740995)	Grommet, Blind	1
▲	20 9007969	(10448305- 10740995)	Controller Kit, Replmt [Ec- H2o]	1
▲	21 1018155	(10378380- 10740995)	Screw, Pan, Phl, M5 X 0.80 X 16, Tcut,Ss	8

▽ ASSEMBLY

▲ INCLUDED IN ASSEMBLY

STANDARD PARTS

ec-H2O MODULE ASSEMBLY BREAKDOWN, 9006161 (S/N 10378380- 10448304)



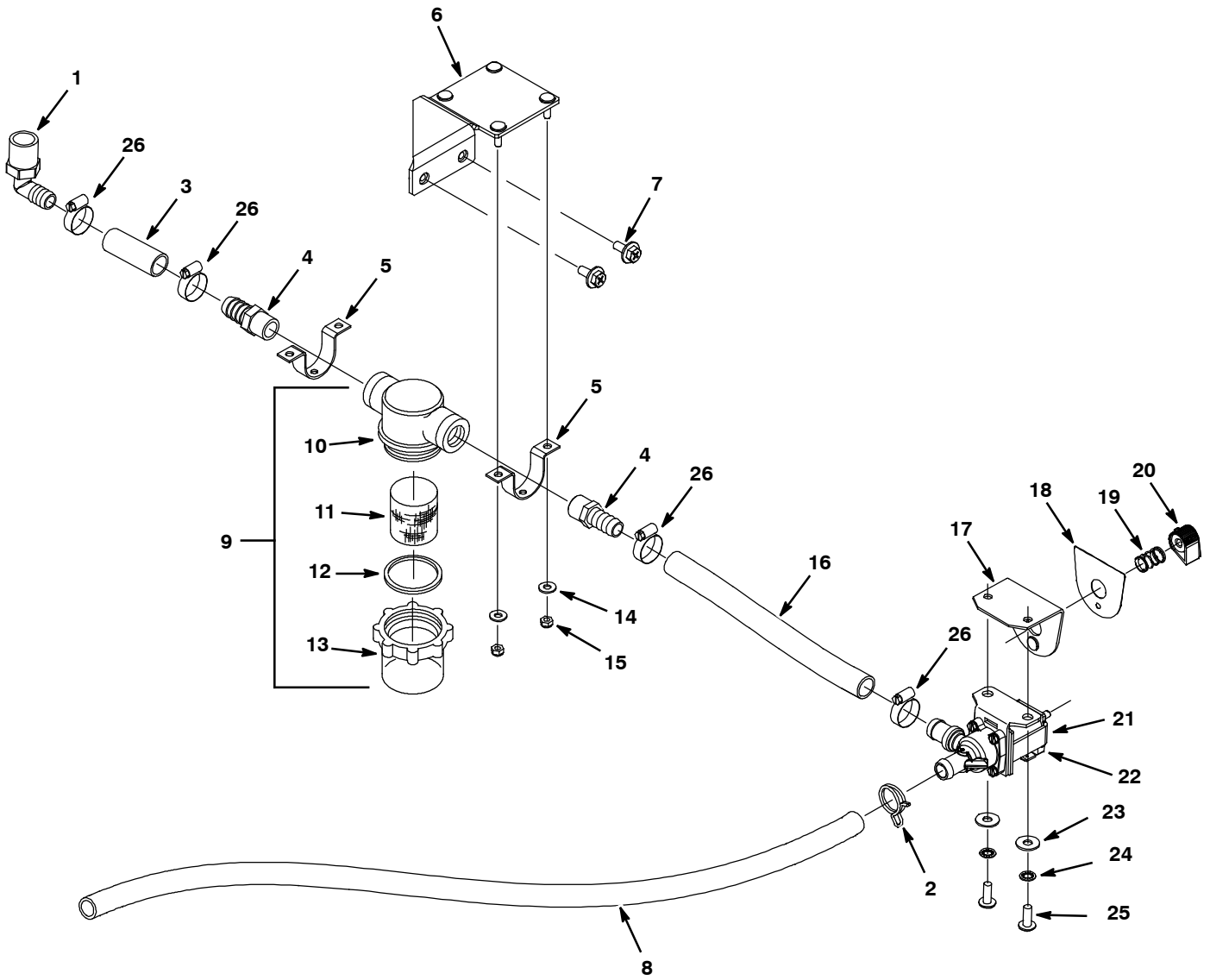
ec-H2O MODULE ASSEMBLY BREAKDOWN, 9006161 (S/N 10378380- 10448304)

Ref.	Part No.	Serial Number	Description	Qty.
▽	9006161	(10378380- 10448304)	Module Kit, Replmt [Ec- H2o]	1
▲	1 1037032	(10378380- 20000000)	Housing, Bottom	1
▲	2 1054776	(10378380- 20000000)	Grommet, Blind	1
▲	3 609062	(10378380- 10448304)	Screw, Trs, Phl, 08- 32 X 0.38, Ss	1
▲	4 578860	(10378380- 10448304)	Screw, Pan, Phl, 04- 40 X 0.31, Pl	2
▲	5 3701.6	(10378380- 10448304)	Screw, Pan, Phl, 06- 32 X 0.38, Shtmtl,Ss	4
▲	6 613735	(10378380- 20000000)	Clamp, Hose, Wir, .40 - .42, Yel	1
▲	7 9004606	(10378380- 10448304)	Hose, Pvc, Brd, .25id .45od 46l, Clr	1
▲	8 1049637	(10378380- 20000000)	Label, Direction [Ec- H2o]	1
▲	9 140826	(10378380- 10448304)	Screw, Pan, 06- 32 X 0.75, Fmg/Ab, Ss	4
▲	10 578820000	(10378380- 20000000)	Hose, Pvc, Brd, 0.25id 0.44od 157.2l,Clr	1
▲	11 603654	(10378380- 20000000)	Clamp, Hose, Ear, .44d [Ctb]	4
▲	12 1037595	(10378380- 20000000)	Fitting, Plstc, E90, Bm04/Pm02, Nyl	2
▲	13 140801	(10378380- 20000000)	Screw, Trs, Phl, 08- 32 X 0.38, Ss	2
▲	14 1013236	(10378380- 20000000)	Valve, Shutoff, Ele, 24vdc	1
▲	15 1045030	(10378380- 20000000)	Fitting, Brs, Str, Pm02/Pm02	1
▲	16 1038159	(10378380- 20000000)	Electrode, Cylindrical	1
▲	17 N/A	(10378380- 10448304)	Part Not Sold Separately - Order E- Cell Upgrade Kit P/N 9006324	1
▲	18 1018155	(10378380- 20000000)	Screw, Pan, Phl, M5 X 0.80 X 16, Tcut,Ss	8
▲	19 1044393	(10378380- 20000000)	Switch, Rocker, Spst, Mom,	1
▲	20 9006159	(10378380- 10448304)	Controller Kit, Replmt [Ec- H2o]	1
▲	21 1044399	(10378380- 10448304)	Harness, Main, Controller [Ec- H2o, P3]	1

▽ ASSEMBLY

▲ INCLUDED IN ASSEMBLY

SOLUTION GROUP, STANDARD MODEL



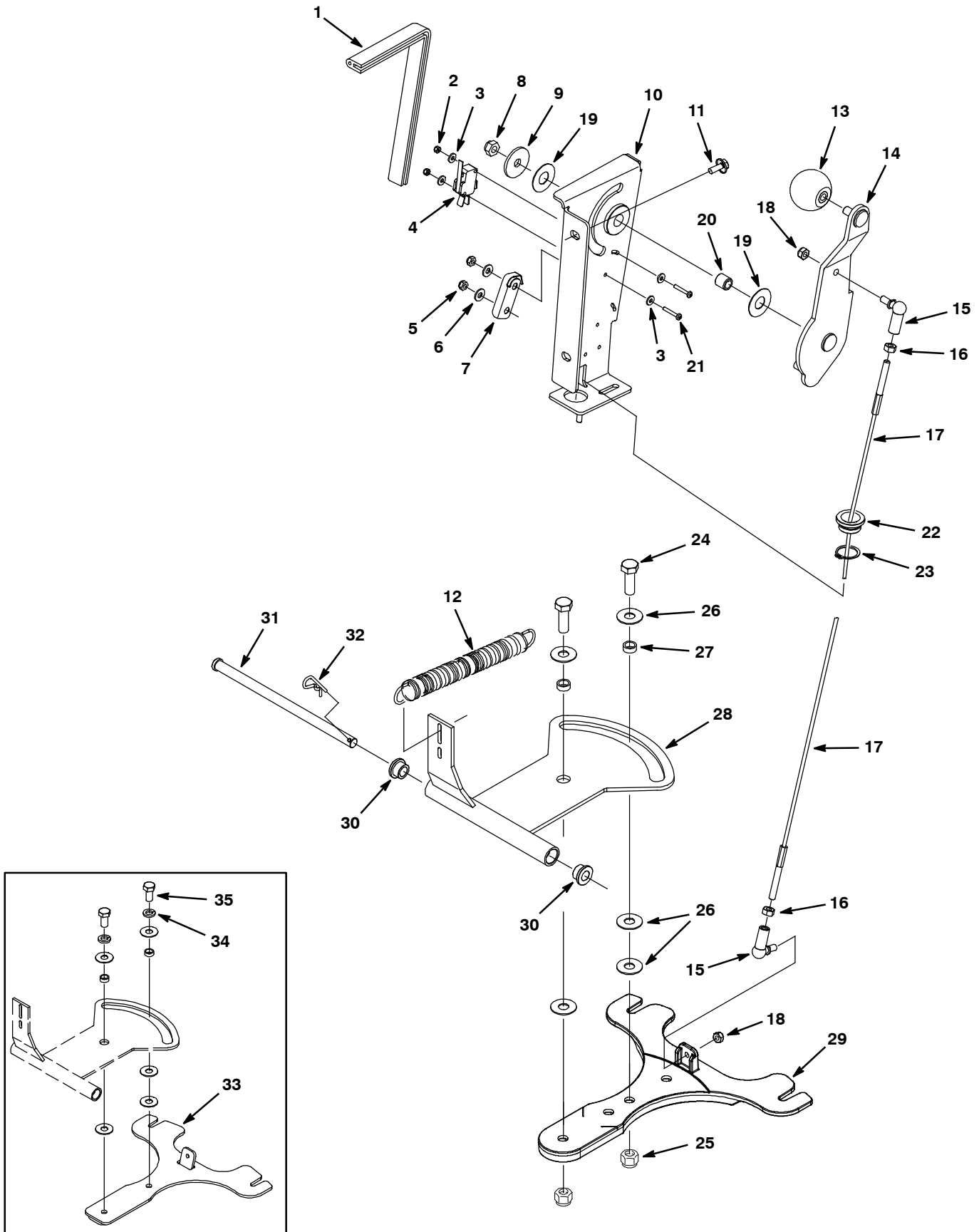
SOLUTION GROUP, STANDARD MODEL

Ref.	Part No.	Serial Number	Description	Qty.	
1	1013505	(10000000-20000000)	Fitting, Plstc, E90, Bm08/Pm08, Nyl	1	
2	607776	(10000000-20000000)	Clamp, Hose, Wir, .73 - .77, Silver	1	
3	069760725	(10000000-20000000)	Hose Sol 1/2idx3.25" [611259]	1	
4	14884	(10000000-20000000)	Fitting, Brs, Str, Bm08/Pm06 [Taped]	2	
5	605056	(10000000-20000000)	Bracket, Mtg, Fltr	2	
6	1023543	(10000000-20000000)	Bracket Wldt, Mtg, Filter	1	
7	1034731	(10000000-20000000)	Screw, Hex, M6 X 1.00 X 16, Ss, Sems	2	
8	613531	(10000000-20000000)	Tube, 0.50id X 0.75od Vyl 3.75ft[611259]	1	
▽	9	1005302	(10000000-20000000)	Filter, In- Line, Pf06/Pf06, 80 Mesh	1
▲	10	613993	(10000000-20000000)	Housing, Top, F/1005302	1
▲	11	1005304	(10000000-20000000)	Screen, Fltr, 80 Mesh	1
▲	12	613992	(10000000-20000000)	Gasket [Viton, F/1005302]	1
▲	13	613991	(10000000-20000000)	Bowl, Clr, Short, F/1005302	1
	14	01683	(10000000-20000000)	Washer, Flat, #10, Ss	4
	15	09739	(10000000-20000000)	Nut, Hex, Lock, M5 X 0.80, NI, Ss	4
	16	613521	(10000000-20000000)	Tube, 0.50id X 0.75od Vyl 1.00ft[611259]	1
	17	1023537	(10000000-20000000)	Bracket, Label, Soltn	1
	18	1024343	(10000000-20000000)	Label, Soltn, Flow	1
	19	1017091	(10000000-20000000)	Spring, Cmpr, 0.5od .036wir 00.8l	1
	20	1013442	(10000000-20000000)	Knob, Valve, Indicator, Blk	1
	21	1213803	(10753815-20000000)	Valve, Water, Solenoid, 24vdc Bm10/Bm10	1
▽	21	1062385	(10000000-10753814)	Valve, Water, Solenoid, 24vdc Bm10/Bm10	1
▲	22	614265	(10000000-10753814)	Valve Kit, Water [Viton Diaphragm] (Repair Kit)	1
	23	01684	(10000000-20000000)	Washer, Flat, 0.25, Ss	2
	24	07515	(10000000-20000000)	Washer, Lock, Int, 0.25, Ss	2
	25	608322	(10000000-20000000)	Screw, Trs, M6 X 1.00 X 16, Phl, Ss	2
	26	54333	(10000000-20000000)	Clamp, Hose, Wormdrive, 0.31-0.88d, .31w	4

▽ ASSEMBLY

▲ INCLUDED IN ASSEMBLY

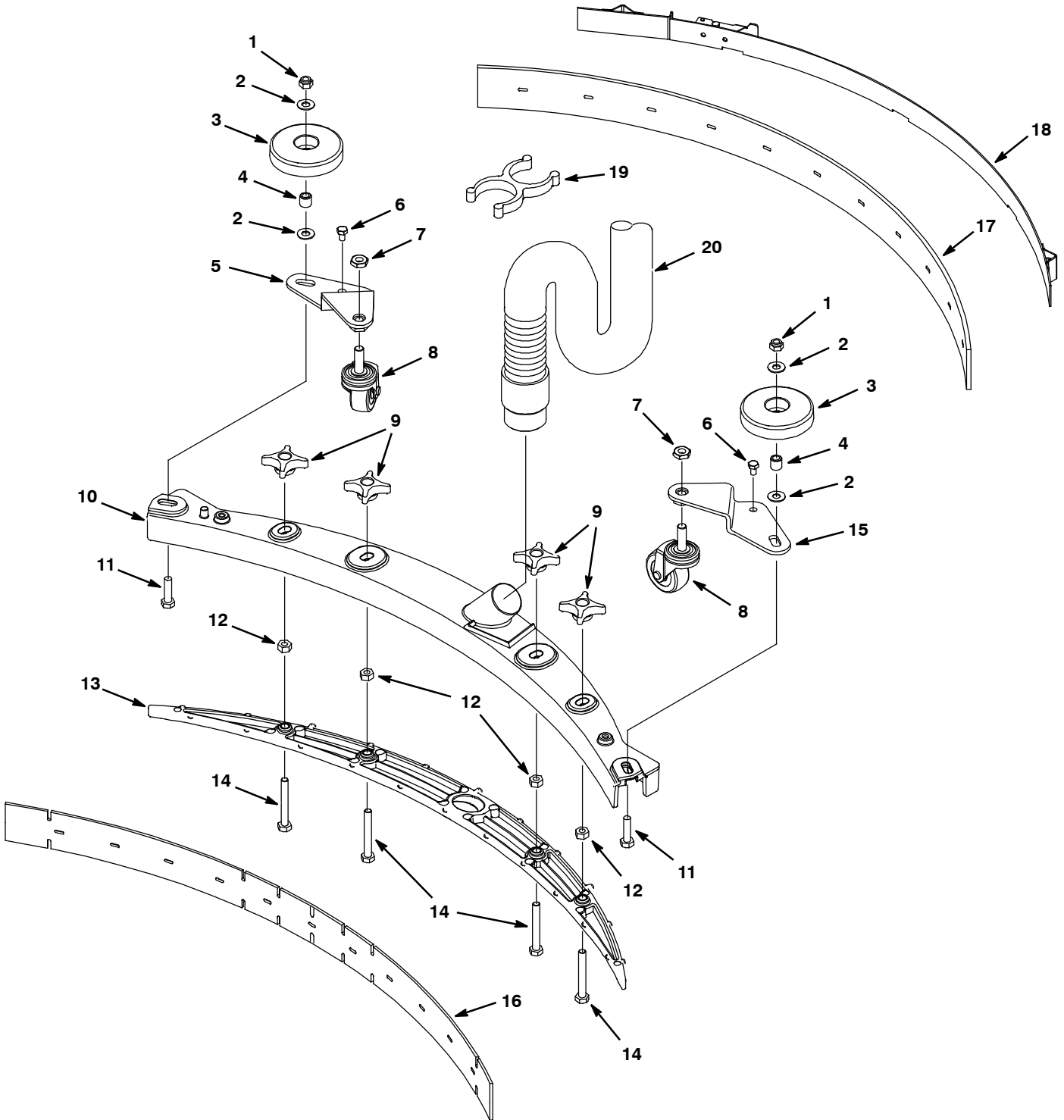
SQUEEGEE LIFT GROUP



SQUEEGEE LIFT GROUP

Ref.	Part No.	Serial Number	Description	Qty.
1	1008675	(10000000-20000000)	Gasket, Edge, Foam, 24.00l [Fr]	1
2	579211	(10000000-20000000)	Nut, Hex, Lock, M3 X .5, Ss	2
3	41578	(10000000-20000000)	Washer, Flat, #06, Ss	4
4	1012568	(10000000-20000000)	Switch, Snap, 10a, Short	1
5	09739	(10000000-20000000)	Nut, Hex, Lock, M5 X 0.8, NI, Ss	2
6	01683	(10000000-20000000)	Washer, Flat, #10, Ss	2
7	1024060	(10000000-20000000)	Spring, Lever, Sqge, W/ 90° Bend	1
8	08713	(10000000-20000000)	Nut, Hex, Lock, M8 X 1.25, NI, Ss	1
9	1016331	(10000000-20000000)	Washer, Flat, 0.34b 1.25d .11, Ss	1
10	1020922	(10000000-20000000)	Bracket, Lift, Sqge	1
11	1034731	(10000000-20000000)	Screw, Hex, M6 X 1.00 X 16, Ss, Sems	2
12	140423	(10000000-20000000)	Spring, Brush Press	1
13	1017156	(10000000-20000000)	Knob, Ball, M8 Insert, 40mmd, Plstc	1
14	1024354	(10000000-20000000)	Lever, Sqge	1
15	1012747	(10000000-20000000)	Balljoint, M6 X 1.0 Fem, M6 X 1.0 Mal	2
16	07785	(10000000-20000000)	Nut, Hex, Std, M6 X 1.00, A2, Ss	2
17	1024105	(10000000-20000000)	Cable, Lift, Sqge	1
18	08712	(10000000-20000000)	Nut, Hex, Lock, M6 X 1.0, Ss, NI	2
19	1013397	(10000000-20000000)	Washer, Flat, M13 X 30 X 0.8, Nyl	2
20	222460	(10000000-20000000)	Sleeve, P/M, 0.31b 0.50d 0.5l	1
21	06922	(10000000-20000000)	Screw, Pan, M3 X 0.5 X 20, 4.8	2
22	1009363	(10000000-20000000)	Bushing, Cable	1
23	621236	(10000000-20000000)	Ring, Retaining, Ext, 0.81d	1
24	12309	(10387970-20000000)	Screw, Hex, M12 X 1.75 X 30, Ss	2
25	09741	(10387970-20000000)	Nut, Hex, Lock, M12 X 1.75, NI, Ss	2
26	140045	(10000000-20000000)	Washer, Flat, 0.51b 1.25d .06, Ss	5
27	1013662	(10000000-20000000)	Bushing, Sleeve, 12mm 16mm 6.5mml, Pm Yw	2
28	1020974	(10000000-20000000)	Bracket Wldt, Pivot, Sqge	1
29	1038515	(10387970-20000000)	Bracket Kit, Sqge, Conversion [T5]	1
30	606058	(10000000-20000000)	Bearing, Flng .505id .753od	2
31	1026232	(10000000-20000000)	Pin, Clevis, 0.50 D X 9.25l	1
32	140626	(10000000-20000000)	Pin, Hair Cotter, 0.25 D .125 Wir	1
33	1038515	(10000000-10387969)	Bracket Kit, Sqge, Conversion [T5]	1
34	140024	(10000000-10387969)	Washer, Lock, Split, 0.50, Ss	2
35	1033003	(10000000-10387969)	Screw, Hex, M12 X 1.75 X 25, NI, Ss	2

SQUEEGEE GROUP, 20 in / 500 mm



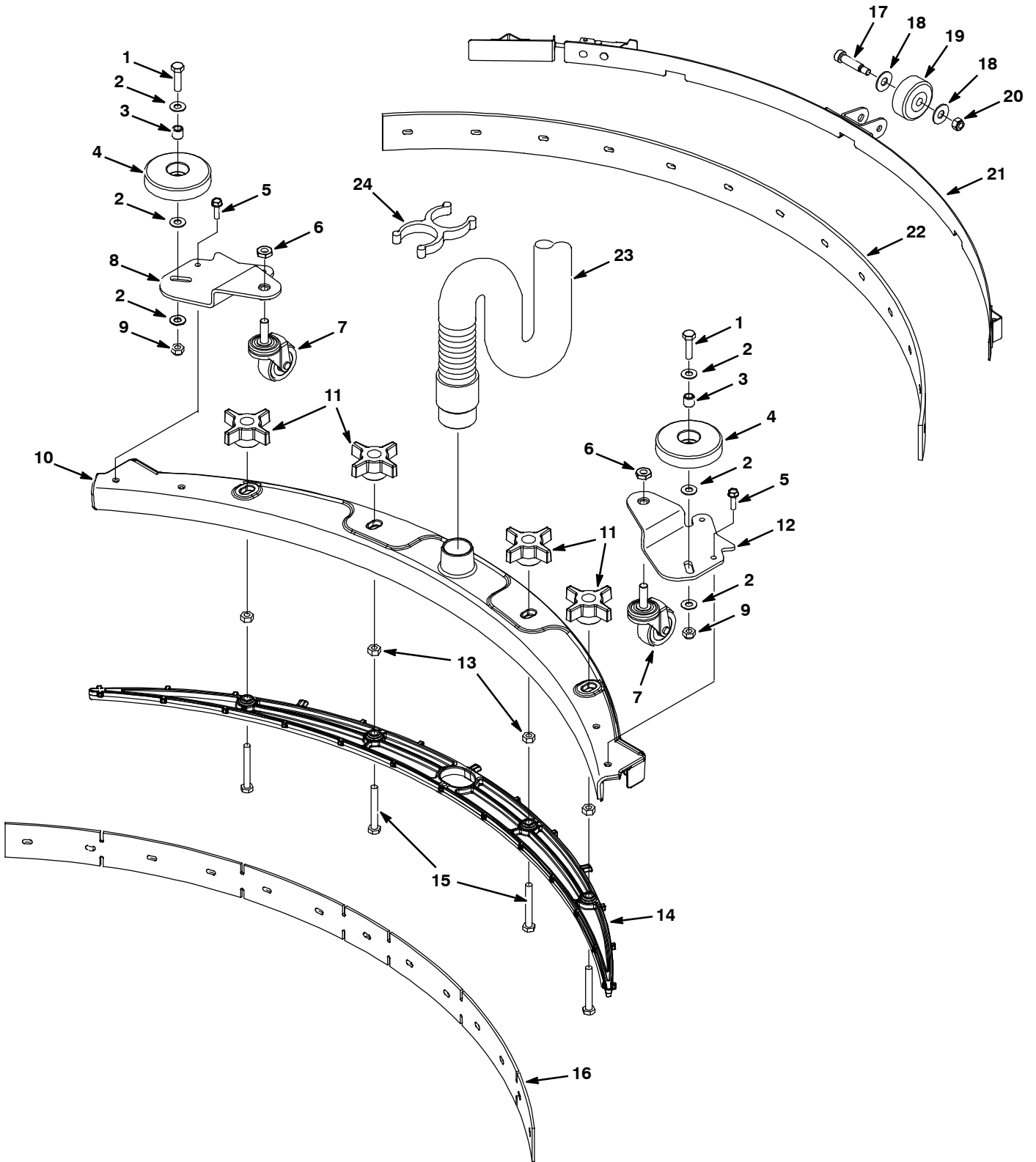
SQUEEGEE GROUP, 20 in / 500 mm

Ref.	Part No.	Serial Number	Description	Qty.
▽	9001178	(10000000- 20000000)	Squeegee Assy Kit, 500mm, Ci	1
▲	1 08713	(10000000- 20000000)	Nut, Hex, Lock, M8 X 1.25, NI, Ss	2
▲	2 140027	(10000000- 20000000)	Washer, Flat, 0.35b 0.75d .04, Ss	4
▲	3 1010560	(10000000- 20000000)	Wheel, Bmpr, 80d X 25w, Non- Marking	2
▲	4 222460	(10000000- 20000000)	Sleeve, P/M, 0.31b 0.50d 0.5l	2
▲	5 1011228	(10000000- 20000000)	Plate, Mtg, Caster, Sqge, Rh	1
▲	6 74455	(10000000- 20000000)	Screw, Hex, M6 X 1.0 X 12, Fmg	2
▲	7 32716	(10000000- 20000000)	Nut, Hex, Jam, M10 X 1.5, Ss	2
▲	8 1006343	(10000000- 20000000)	Caster, Swivel, 50mmd, M10 X 30 Stem, PI	2
▲	9 1010558	(10000000- 20000000)	Knob, Star, 2.00d 4ear 0.7l M8x1.25 Thru	4
▲	10 1011163	(10000000- 20000000)	Frame, Sqge, 74cm, Die Cast [50cm]	1
▲	11 09011	(10000000- 20000000)	Screw, Hex, M8 X 1.25 X 30, Ss	2
▲	12 07786	(10000000- 20000000)	Nut, Hex, Std, M8 X 1.25, Ss	4
▲	13 1019919	(10000000- 20000000)	Retainer, Sqge, 76cm [50cm] Nyl, Blk	1
▲	14 1014163	(10000000- 20000000)	Screw, Hex, M8 X 1.25 X 60, FI, Ss	4
▲	15 1011956	(10000000- 20000000)	Plate, Mtg, Caster, Sqge, Lh	1
▲	16 1011232	(10000000- 20000000)	Blade, Sqge, Front, 500mml (Linatex Red Standard)	1
	16 1014091	(10000000- 20000000)	Blade, Sqge, Front, 500mm, Gum (Gum Rubber Tan Optional)	1
	16 1014092	(10000000- 20000000)	Blade, Sqge, Front, 500mml, Oil- Rstn (Polyurethane Natural Optional)	1
▲	17 1011456	(10000000- 20000000)	Blade, Sqge, Rear, 500mm Linatex (Linatex Red Standard)	1
	17 1014093	(10000000- 20000000)	Blade, Sqge, Rear, 500mm Gum (Gum Rubber Tan Optional)	1
	17 1014094	(10000000- 20000000)	Blade, Sqge, Rear, 500mm Oil- Rstn (Polyurethane Natural Optional)	1
▲	18 1013933	(10000000- 20000000)	Strap Assy, Sqge, 500mm	1
	19 1014079	(10000000- 20000000)	Clip, Grip, Hose, 1.50id, Dbl, Blk Pyp	1
	20 1014026	(10000000- 20000000)	Hose, Vacuum, 1.5d X 57l, 2- Short Cuffs	1

▽ ASSEMBLY

▲ INCLUDED IN ASSEMBLY

SQUEEGEE GROUP, 24 in / 600 mm



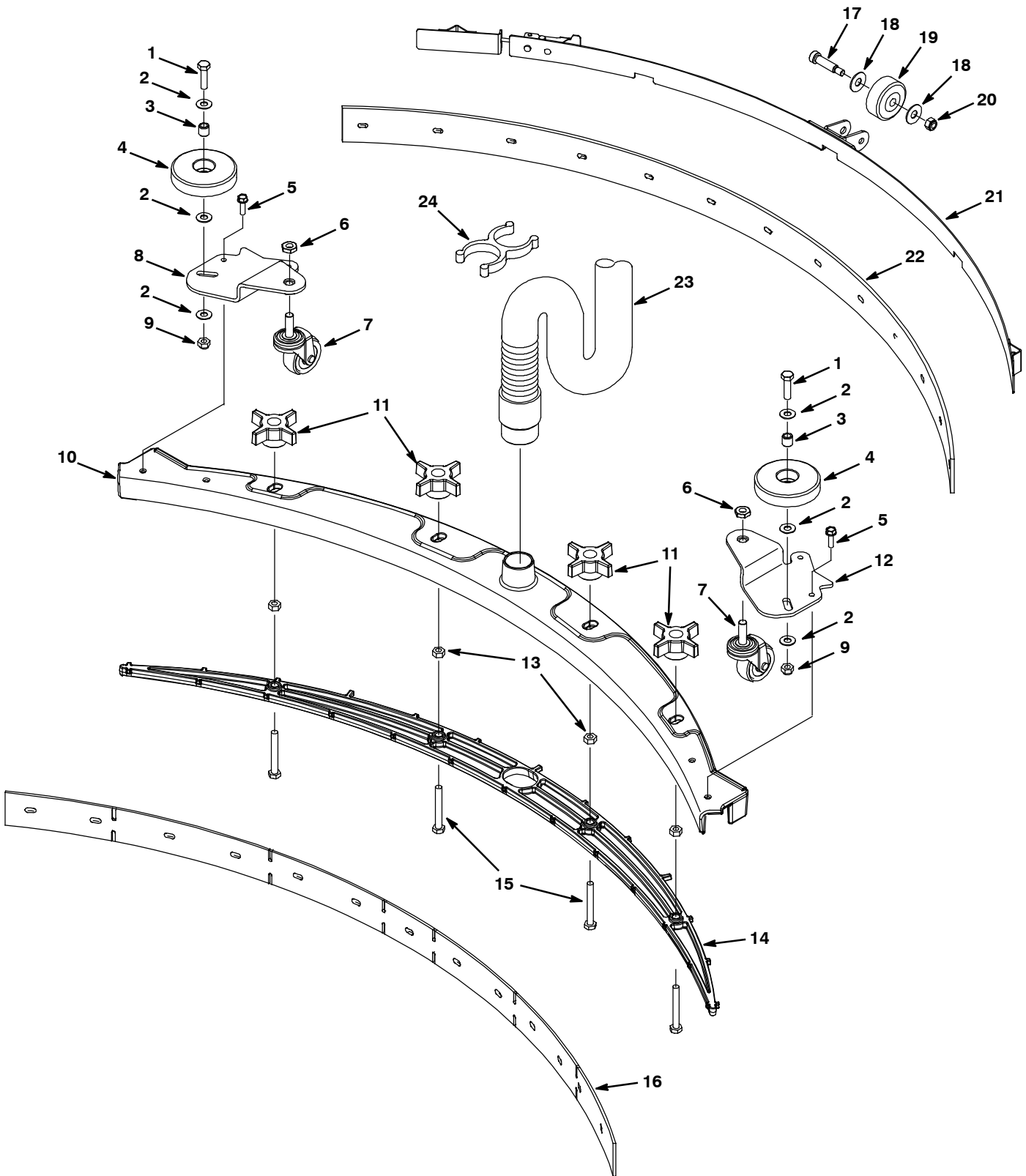
SQUEEGEE GROUP, 24 in / 600 mm

Ref.	Part No.	Serial Number	Description	Qty.
▽	9002679	(10000000- 20000000)	Kit, Squeegee, 600mm Ci	1
▲	1 09011	(10000000- 20000000)	Screw, Hex, M8 X 1.25 X 30, Ss	2
▲	2 140027	(10000000- 20000000)	Washer, Flat, 0.35b 0.75d .04, Ss	6
▲	3 222460	(10000000- 20000000)	Sleeve, P/M, 0.496d 0.318b 0.50l 430ss	2
▲	4 1010560	(10000000- 20000000)	Wheel, Bmpr, 80d X 25w, Non- Marking	2
▲	5 12459	(10000000- 20000000)	Screw, Hex, M6 X 1.0 X 20, Fmg	4
▲	6 32716	(10000000- 20000000)	Nut, Hex, Jam, M10 X 1.5, Ss	2
▲	7 1006343	(10000000- 20000000)	Caster, Swivel, 50mm D, M10 X 30 Stem,Zn	2
▲	8 1023273	(10000000- 20000000)	Plate, Caster, Mtg, Sqge, Rh	1
▲	9 08713	(10000000- 20000000)	Nut, Hex, Lock, M8 X 1.25, NI, Ss	2
▲	10 1021798	(10000000- 20000000)	Frame, Sqge, 89cm [60cm]	1
▲	11 1054375	(10000000- 20000000)	Knob, Star, 2.75d 4ear 1.1l M8x1.25 Thru	4
▲	12 1023291	(10000000- 20000000)	Plate, Caster, Mtg, Sqge, Lh	1
▲	13 07786	(10000000- 20000000)	Nut, Hex, Std, M8 X 1.25, Ss	4
▲	14 1026354	(10000000- 20000000)	Retainer , Blade, Sqge, 600mm [Plstc]	1
▲	15 1014163	(10000000- 20000000)	Screw, Hex, M8 X 1.25 X 60, Fl, Ss	4
▲	16 1021804	(10000000- 20000000)	Blade, Sqge, Front, 88cml [Lnx, 60cm] (Linatex Red Standard)	1
	16 1025333	(10000000- 20000000)	Blade, Sqge, Front, 88cml, Gum [60cm] (Gum Rubber Tan Optional)	1
	16 1025334	(10000000- 20000000)	Blade, Sqge, Front, 88cml, Ure [60cm] (Polyurethane Natural Optional)	1
▲	17 600187	(10000000- 20000000)	Bolt, Shld, .38d X 1.25, .31- 18	1
▲	18 140028	(10000000- 20000000)	Washer, Flat, 0.42b 1.00d .05, Ss	2
▲	19 630477	(10000000- 20000000)	Wheel, Pyu, 2.0d 0.38w, Gray	1
▲	20 32983	(10000000- 20000000)	Nut, Hex, Lock, .31- 18, NI	1
▲	21 1022456	(10000000- 20000000)	Retainer Assy, Blade, Sqge, 600mm	1
▲	22 1021333	(10000000- 20000000)	Blade, Sqge, Rear, 88cm,Linatex[60cm] (Linatex Red Standard)	1
	22 1025335	(10000000- 20000000)	Blade, Sqge, Rear, 88cml, Gum [60cm] (Gum Rubber Tan Optional)	1
	22 1025336	(10000000- 20000000)	Blade, Sqge, Rear, 88cm, Ure [60cm] (Polyurethane Natural Optional)	1
	23 1014026	(10000000- 20000000)	Hose, Vacuum, 1.5d X 57l, 2- Short Cuffs	1
	24 1014079	(10000000- 20000000)	Clip, Hose, Gripper, 1.50id, Dbl, Blk Pp	1

▽ ASSEMBLY

▲ INCLUDED IN ASSEMBLY

SQUEEGEE GROUP, 26 in / 650 mm & 28 in / 700 mm



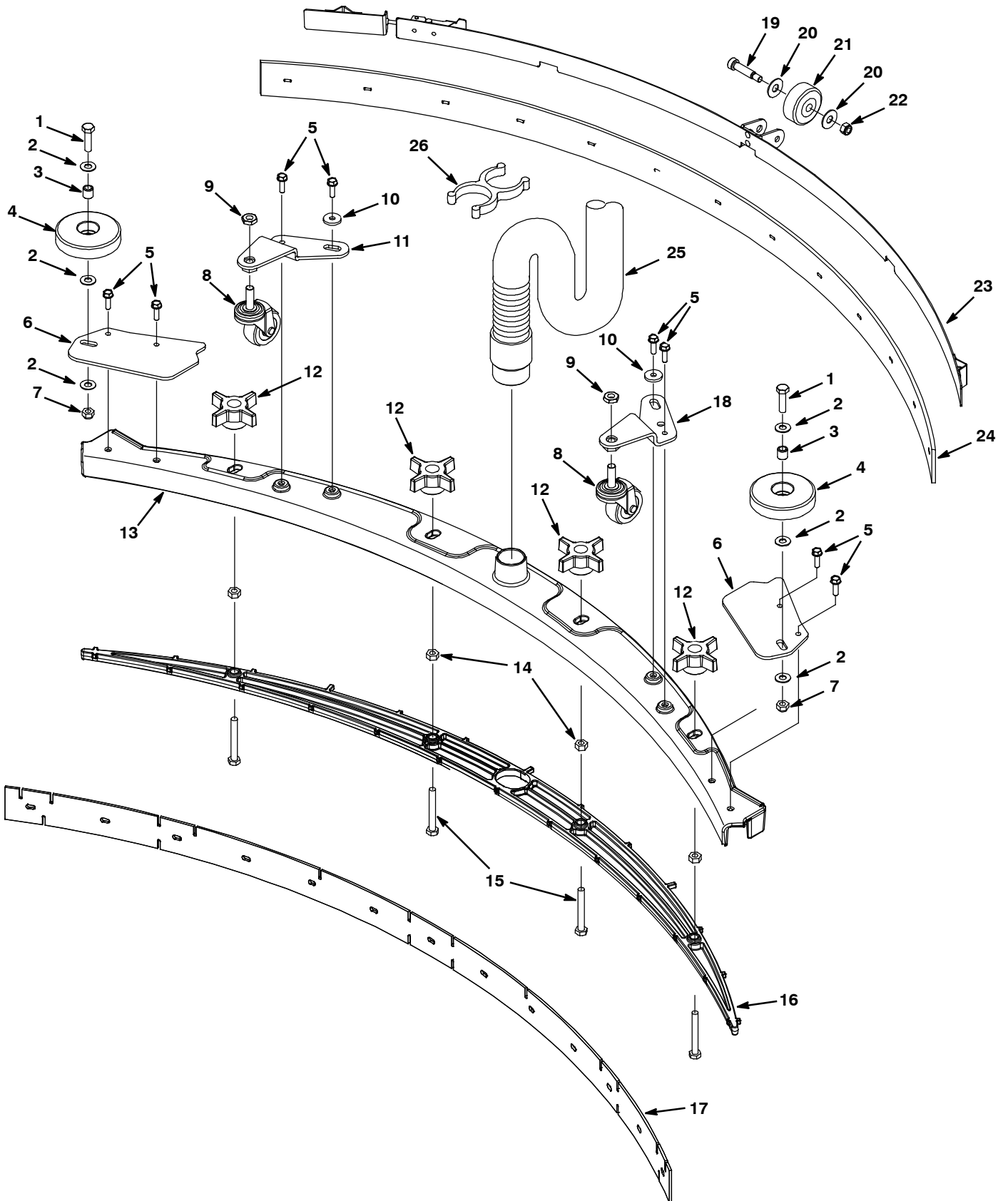
SQUEEGEE GROUP, 26 in / 650 mm & 28 in / 700 mm

Ref.	Part No.	Serial Number	Description	Qty.
▽	9002680	(10000000- 20000000)	Kit, Squeegee, 700mm Ci	1
▲	1 09011	(10000000- 20000000)	Screw, Hex, M8 X 1.25 X 30, Ss	2
▲	2 140027	(10000000- 20000000)	Washer, Flat, 0.35b 0.75d .04, Ss	6
▲	3 222460	(10000000- 20000000)	Sleeve, P/M, 0.496d 0.318b 0.50l 430ss	2
▲	4 1010560	(10000000- 20000000)	Wheel, Bmpr, 80d X 25w, Non- Marking	2
▲	5 12459	(10000000- 20000000)	Screw, Hex, M6 X 1.0 X 20, Fmg	4
▲	6 32716	(10000000- 20000000)	Nut, Hex, Jam, M10 X 1.5, Ss	2
▲	7 1006343	(10000000- 20000000)	Caster, Swivel, 50mm D, M10 X 30 Stem,Zn	2
▲	8 1023273	(10000000- 20000000)	Plate, Caster, Mtg, Sqge, Rh	1
▲	9 08713	(10000000- 20000000)	Nut, Hex, Lock, M8 X 1.25, NI, Ss	2
▲	10 1023326	(10000000- 20000000)	Frame, Sqge, 104cm [70cm]	1
▲	11 1054375	(10000000- 20000000)	Knob, Star, 2.75d 4ear 1.1l M8x1.25 Thru	4
▲	12 1023291	(10000000- 20000000)	Plate, Caster, Mtg, Sqge, Lh	1
▲	13 07786	(10000000- 20000000)	Nut, Hex, Std, M8 X 1.25, Ss	4
▲	14 1026416	(10000000- 20000000)	Retainer, Blade, Sqge, 700mm [Plstc]	1
▲	15 1014163	(10000000- 20000000)	Screw, Hex, M8 X 1.25 X 60, Fl, Ss	4
▲	16 1023327	(10000000- 20000000)	Blade, Sqge, Front, 98cml [Lnx, 70cm] (Linatex Red Standard)	1
	16 1025337	(10000000- 20000000)	Blade, Sqge, Front, 98cml, Gum [70cm] (Gum Rubber Tan Optional)	1
	16 1025339	(10000000- 20000000)	Blade, Sqge, Front, 98cml, Ure [70cm] (Polyurethane Natural Optional)	1
▲	17 600187	(10000000- 20000000)	Bolt, Shld, .38d X 1.25, .31- 18	1
▲	18 140028	(10000000- 20000000)	Washer, Flat, 0.42b 1.00d .05, Ss	2
▲	19 630477	(10000000- 20000000)	Wheel, Pyu, 2.0d 0.38w, Gray	1
▲	20 32983	(10000000- 20000000)	Nut, Hex, Lock, .31- 18, NI	1
▲	21 1023335	(10000000- 20000000)	Bracket Wldt, Sqge, Band Clamp, 98cm	1
▲	22 1023329	(10000000- 20000000)	Blade, Sqge, Rear, 98cm,Linatex[70cm] (Linatex Red Standard)	1
	22 1025340	(10000000- 20000000)	Blade, Sqge, Rear, 98cml, Gum [70cm] (Gum Rubber Tan Optional)	1
	22 1025341	(10000000- 20000000)	Blade, Sqge, Rear, 98cm, Ure [70cm] (Polyurethane Natural Optional)	1
	23 1014026	(10000000- 20000000)	Hose, Vacuum, 1.5d X 57l, 2- Short Cuffs	1
	24 1014079	(10000000- 20000000)	Clip, Hose, Gripper, 1.50id, Dbl, Blk Pp	1

▽ ASSEMBLY

▲ INCLUDED IN ASSEMBLY

SQUEEGEE GROUP, 32 in / 800 mm



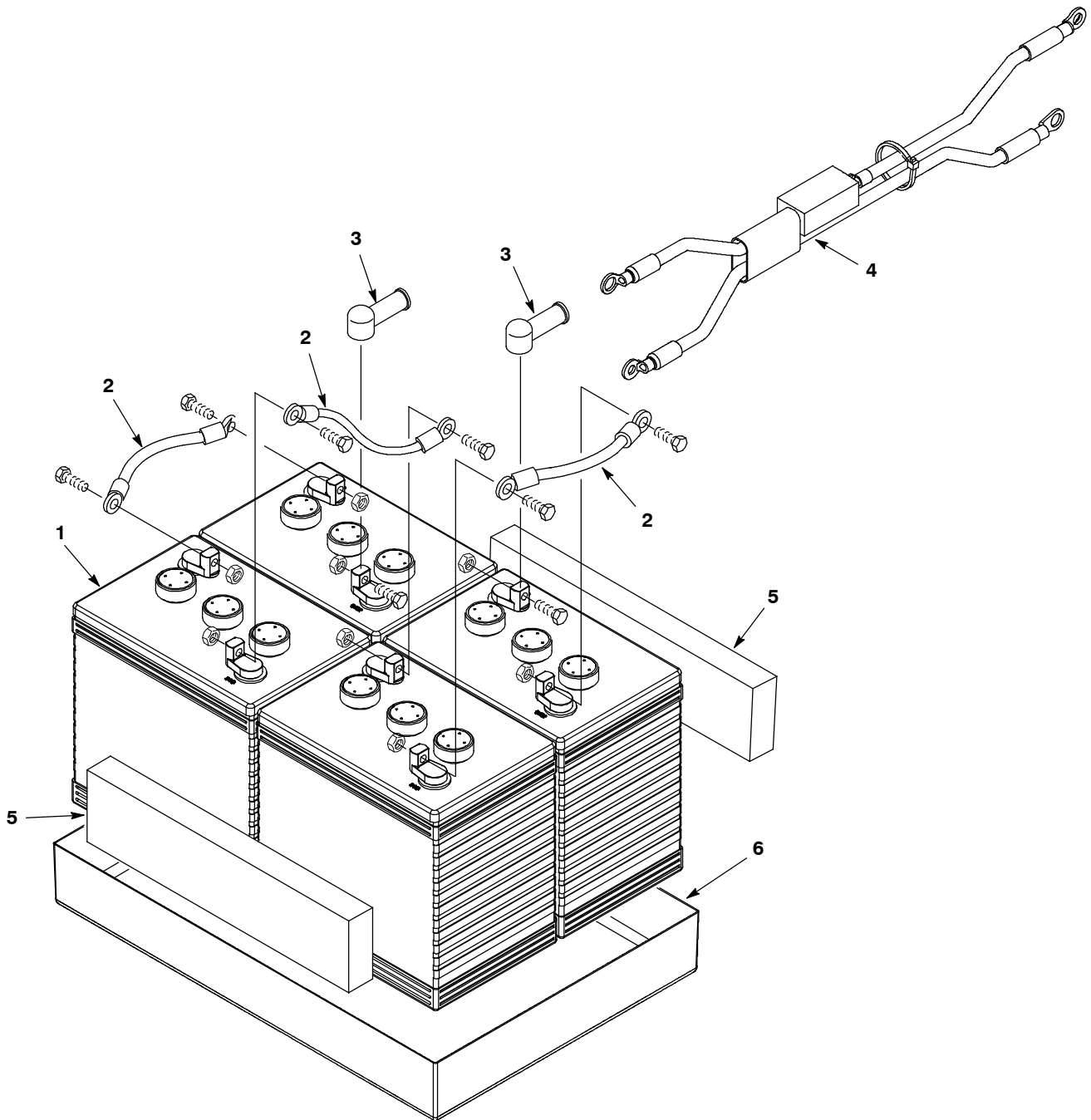
SQUEEGEE GROUP, 32 in / 800 mm

Ref.	Part No.	Serial Number	Description	Qty.
▽	9002681	(10000000- 20000000)	Kit, Squeegee, 800mm Ci	1
▲	1 09011	(10000000- 20000000)	Screw, Hex, M8 X 1.25 X 30, Ss	2
▲	2 140027	(10000000- 20000000)	Washer, Flat, 0.35b 0.75d .04, Ss	6
▲	3 222460	(10000000- 20000000)	Sleeve, P/M, 0.496d 0.318b 0.50l 430ss	2
▲	4 1010560	(10000000- 20000000)	Wheel, Bmpr, 80d X 25w, Non- Marking	2
▲	5 12459	(10000000- 20000000)	Screw, Hex, M6 X 1.0 X 20, Fmg	8
▲	6 1023426	(10000000- 20000000)	Bracket, Mtg, Sqge Bumper	2
▲	7 08713	(10000000- 20000000)	Nut, Hex, Lock, M8 X 1.25, NI, Ss	2
▲	8 1006343	(10000000- 20000000)	Caster, Swivel, 50mm D, M10 X 30 Stem,Zn	2
▲	9 32716	(10000000- 20000000)	Nut, Hex, Jam, M10 X 1.5, Ss	2
▲	10 140053	(10000000- 20000000)	Washer, Flat, 0.28b 0.88d .12, Ss	2
▲	11 1011228	(10000000- 20000000)	Plate, Mtg, Caster, Sqge, Rh	1
▲	12 1054375	(10000000- 20000000)	Knob, Star, 2.75d 4ear 1.1l M8x1.25 Thru	4
▲	13 1023396	(10000000- 20000000)	Frame, Sqge, 117cm [80cm]	1
▲	14 07786	(10000000- 20000000)	Nut, Hex, Std, M8 X 1.25, Ss	4
▲	15 1014163	(10000000- 20000000)	Screw, Hex, M8 X 1.25 X 60, Fl, Ss	4
▲	16 1024970	(10000000- 20000000)	Retainer, Blade, Sqge, 800mm [Plstc]	1
▲	17 1023398	(10000000- 20000000)	Blade, Sqge, Front, 105cm [Linx 80cm] (Linatex Red Standard)	1
	17 1025342	(10000000- 20000000)	Blade, Sqge, Front, 105cml, Gum[80cm] (Gum Rubber Tan Optional)	1
	17 1025343	(10000000- 20000000)	Blade, Sqge, Front, 105cm, Ure [80cm] (Polyurethane Natural Optional)	1
▲	18 1011956	(10000000- 20000000)	Plate, Mtg, Caster, Sqge, Lh	1
▲	19 600187	(10000000- 20000000)	Bolt, Shld, .38d X 1.25, .31- 18	1
▲	20 140028	(10000000- 20000000)	Washer, Flat, 0.42b 1.00d .05, Ss	2
▲	21 630477	(10000000- 20000000)	Wheel, Pyu, 2.0d 0.38w, Gray	1
▲	22 32983	(10000000- 20000000)	Nut, Hex, Lock, .31- 18, NI	1
▲	23 1023400	(10000000- 20000000)	Retainer Assy, Blade, Sqge, 800mm	1
▲	24 1023399	(10000000- 20000000)	Blade, Sqge, Rear, 105cml[Linx, 80cm] (Linatex Red Standard)	1
	24 1025344	(10000000- 20000000)	Blade, Sqge, Rear, 105cml, Gum [80cm] (Gum Rubber Tan Optional)	1
	24 1025346	(10000000- 20000000)	Blade, Sqge, Rear, 105cml, Ure [80cm] (Polyurethane Natural Optional)	1
	25 1014026	(10000000- 20000000)	Hose, Vacuum, 1.5d X 57l, 2- Short Cuffs	1
	26 1014079	(10000000- 20000000)	Clip, Hose, Gripper, 1.50id, Dbl, Blk Pp	1

▽ ASSEMBLY

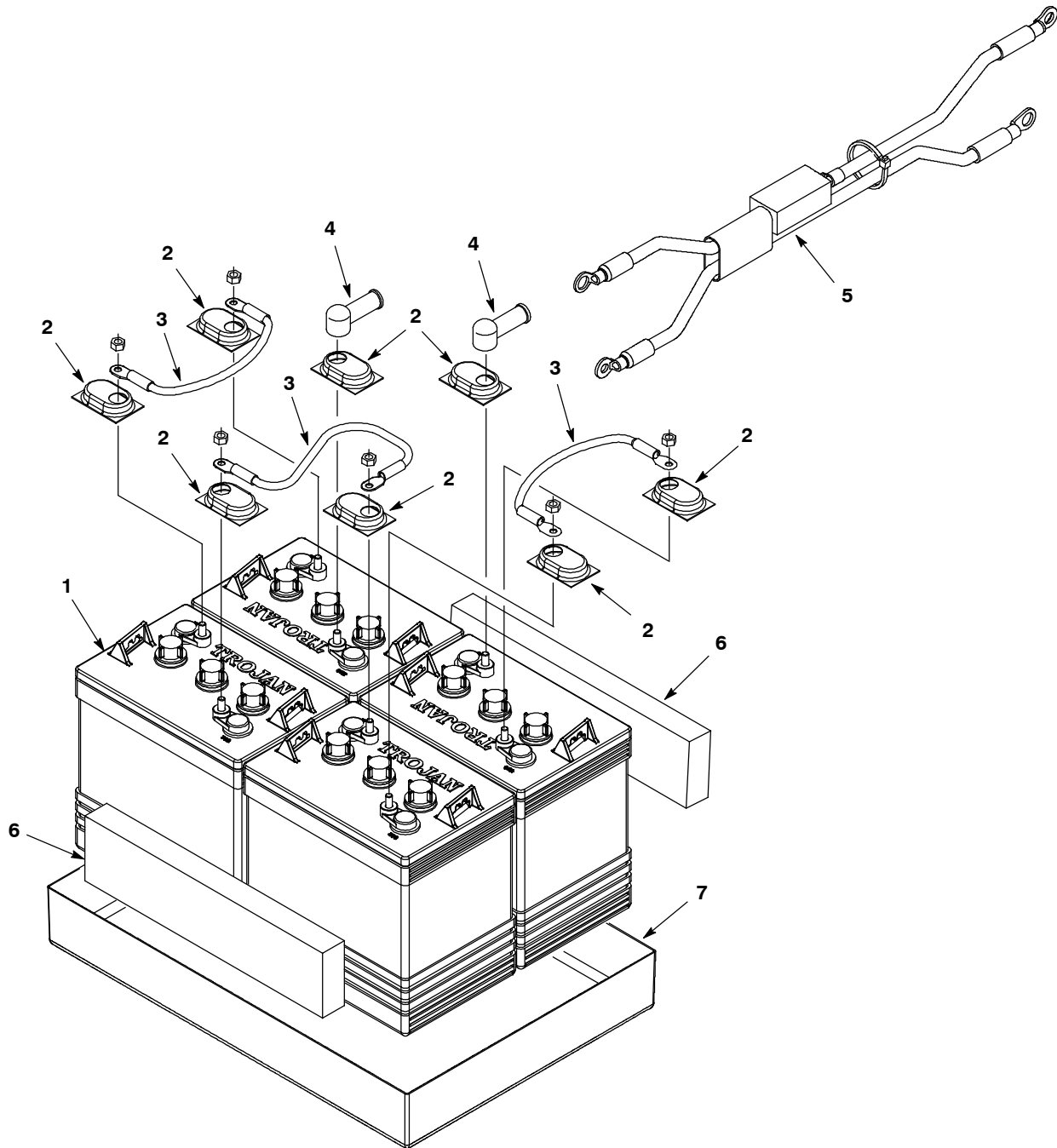
▲ INCLUDED IN ASSEMBLY

BATTERY GROUP, MAINTENANCE FREE 220 Ah



Ref.	Part No.	Serial Number	Description	Qty.
1	1074042	(10000000-20000000)	Battery, Agm, 06vdc, 220ah (Discover)	4
2	130364	(10000000-20000000)	Cable, 06ga 15.0l Blk .31ring /.38ring	3
3	611221	(10000000-20000000)	Boot, Terminal, Battery, 25.4mm, Blk	8
4	1072874	(10722199-20000000)	Harness, Battery [Ss5] (Includes Fuse)	1
4	1027088	(10000000-10722198)	Harness, Battery	1
5	630375	(10000000-20000000)	Spacer, Battery, 1.25 X 3.25 X 13.7 Foam	2
6	613971	(10000000-20000000)	Tray, Battery, Trimmed	1

BATTERY GROUP, LEAD-ACID 235 Ah



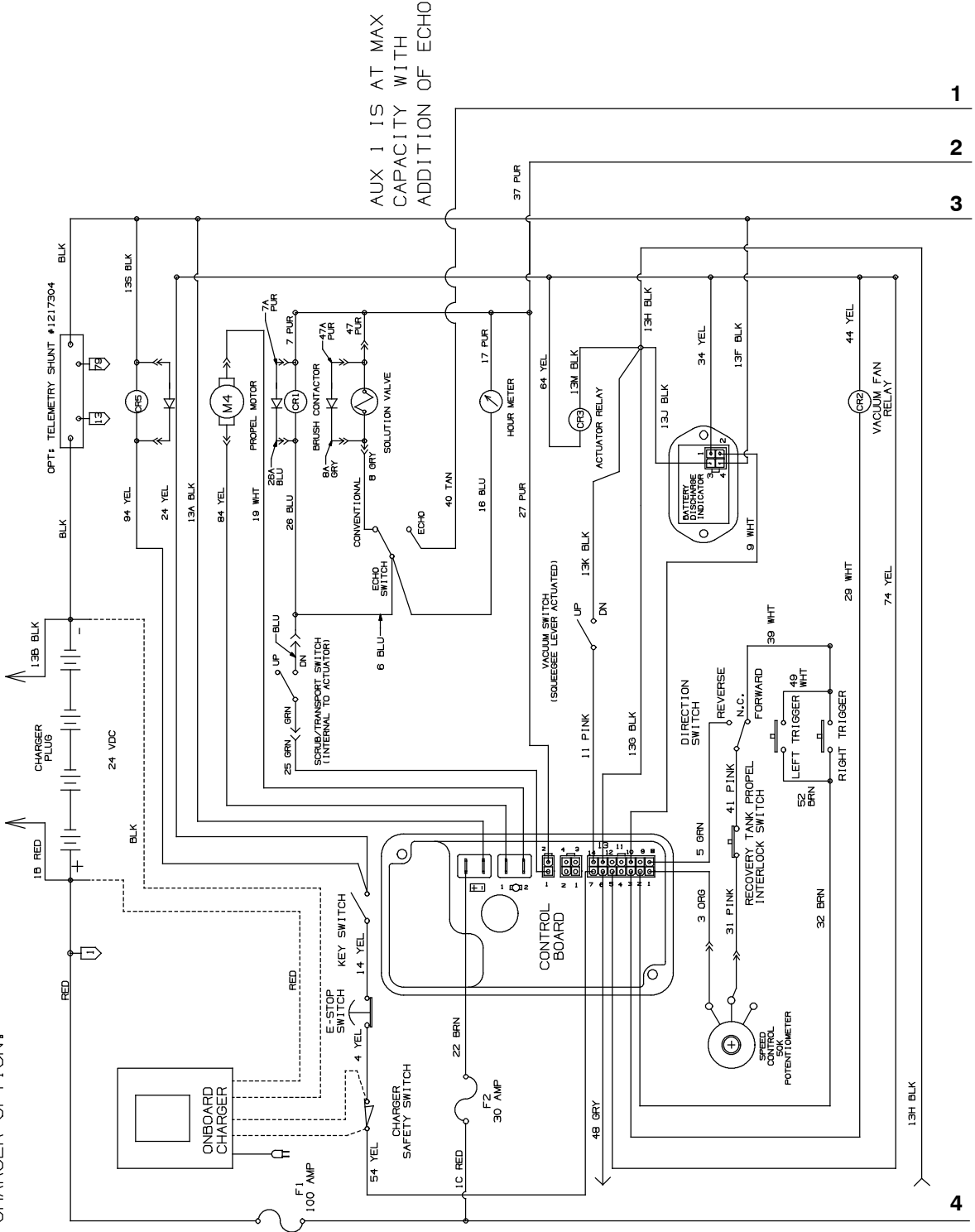
Ref.	Part No.	Serial Number	Description	Qty.
1	222280	(10000000- 20000000)	Battery, 06vdc, 235ah, Wet	4
2	45962	(10000000- 20000000)	Cap, Plstc, .04 1.38 X 2.30 0.5l (Tall Clear - Standard)	8
2	1041030	(10000000- 20000000)	Cap, Battery (Short Black - Optional)	8
3	130364	(10000000- 20000000)	Cable, 06ga 15.0l Blk .31ring /.38ring	3
4	611221	(10000000- 20000000)	Boot, Terminal, Battery, 25.4mm, Blk	8
5	1072874	(10722199- 20000000)	Harness, Battery [Ss5] (Includes Fuse)	1
5	1027088	(10000000- 10722198)	Harness, Battery	1
6	630375	(10000000- 20000000)	Spacer, Battery, 1.25 X 3.25 X 13.7 Foam	2
7	613971	(10000000- 20000000)	Tray, Battery, Trimmed	1

ELECTRICAL DIAGRAM, STANDARD, FaST & ec-H2O MODELS
(S/N 10740996-)

1043227_E

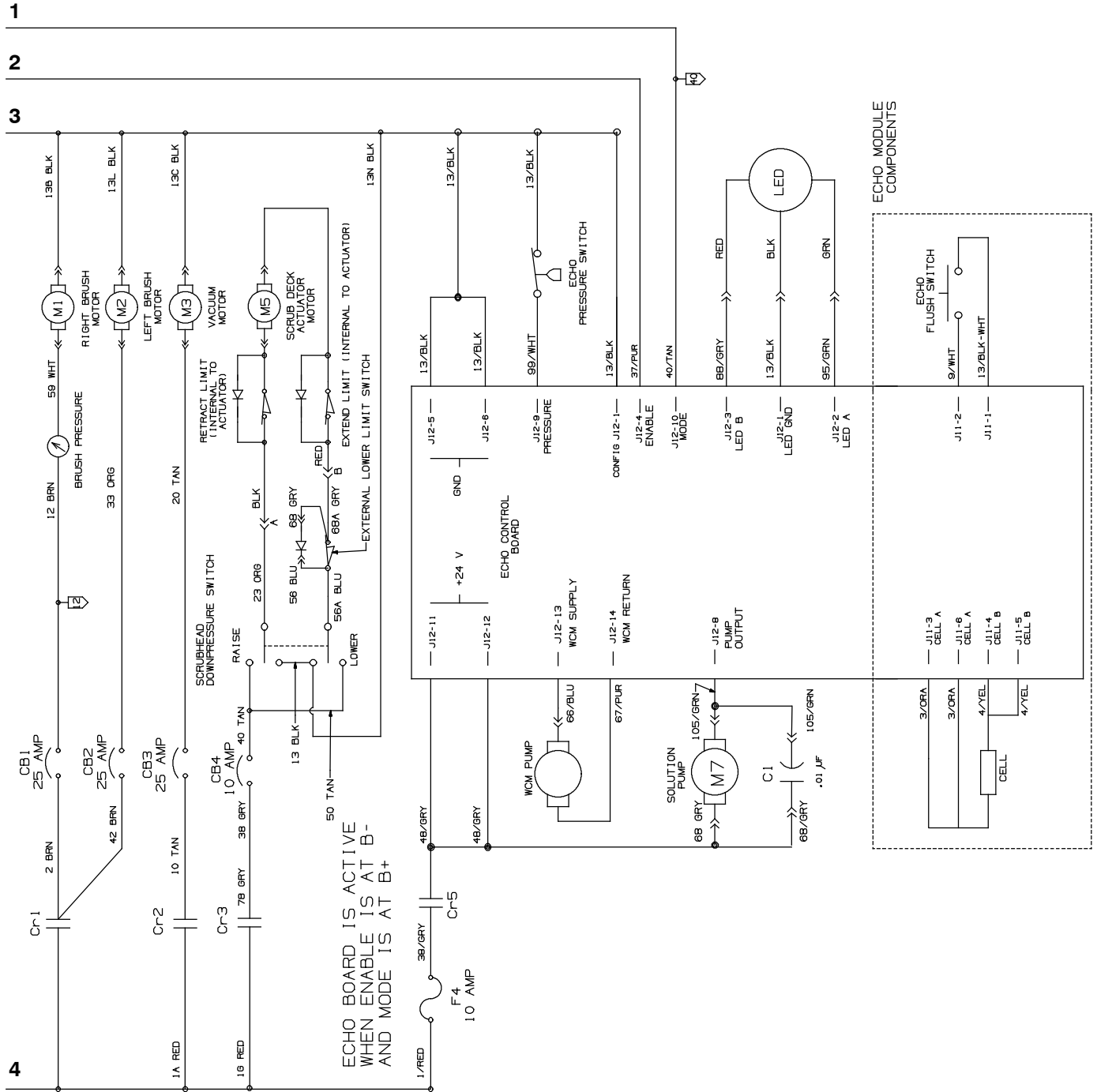
NOTES :

CHARGER PLUG HARNESS &
CHARGER SAFETY SWITCH
REMOVED WITH ON-BOARD
CHARGER OPTION.



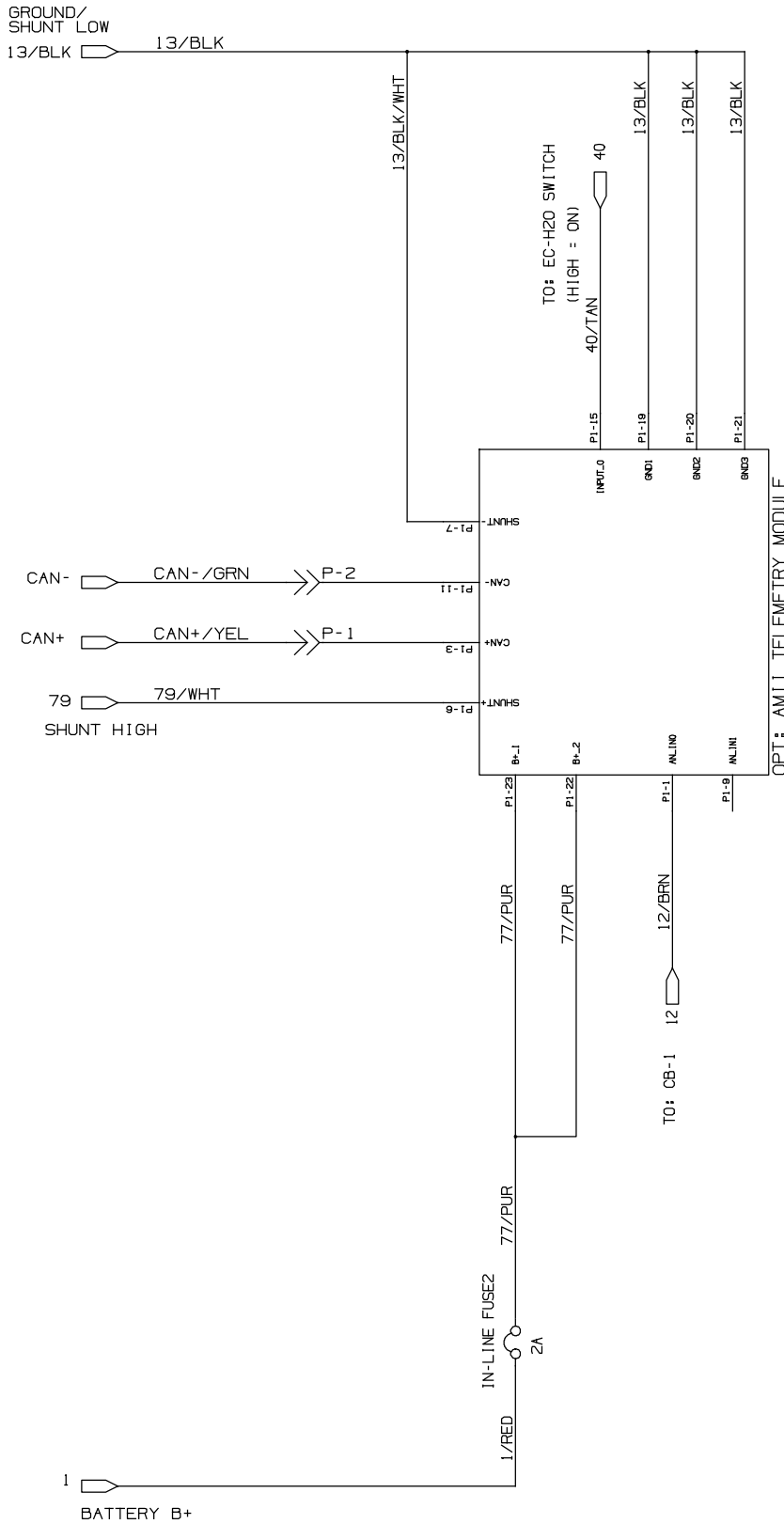
ELECTRICAL DIAGRAM, STANDARD, FaST & ec-H2O MODELS
(S/N 10740996-)

1043227_E



ELECTRICAL DIAGRAM, STANDARD, FaST & ec-H2O MODELS (S/N 10740996-)

1043227_F



NOTES:
 1) WHEN THE MACHINE IS SCRUBBING, AND THE EC-H2O SYSTEM IS SELECTED OFF:
 - WIRE 40/TAN, INPUT P1-15 IS LOW (0 VDC).
 - WIRE 12/BRN, INPUT P1-1 IS HIGH (36VDC).

2) WHEN THE MACHINE IS SCRUBBING, AND THE EC-H2O/FAST SYSTEM IS SELECTED ON:
 - WIRE 40/TAN, INPUT P1-15 IS HIGH (36VDC).
 - WIRE 12/BRN, INPUT P1-1 IS HIGH (36VDC).

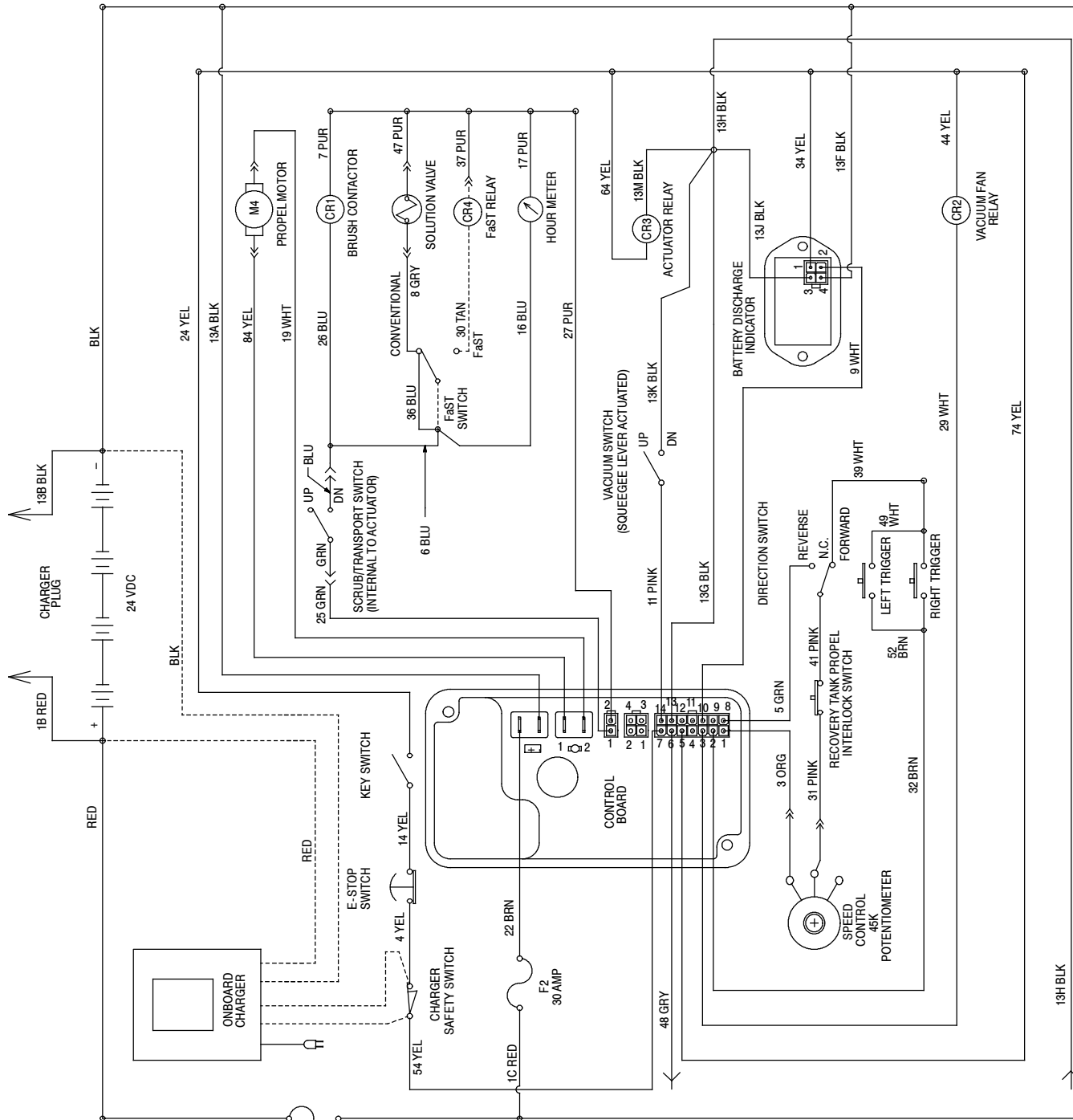
OPT. TELEMETRY ONLY
 HARNESS # 1074457

OPTIONAL :
 TELEMETRY ONLY

ELECTRICAL DIAGRAM, STANDARD & FaST MODEL (S/N 1000000- 10740995)

1020931

1



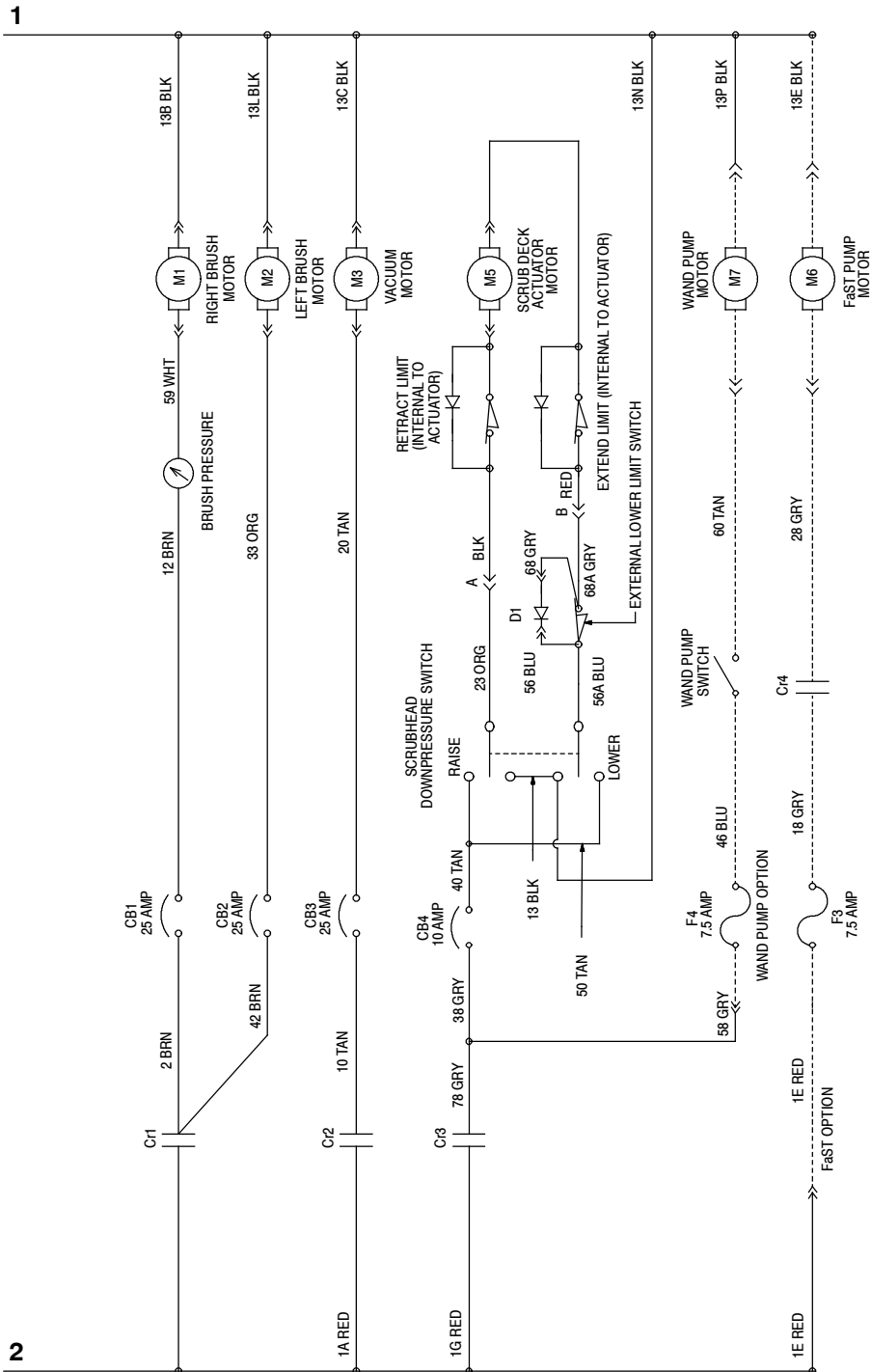
NOTES:
 CHARGER PLUG HARNESS &
 CHARGER SAFETY SWITCH
 REMOVED WITH ON-BOARD
 CHARGER OPTION.

F1
 100 AMP

2

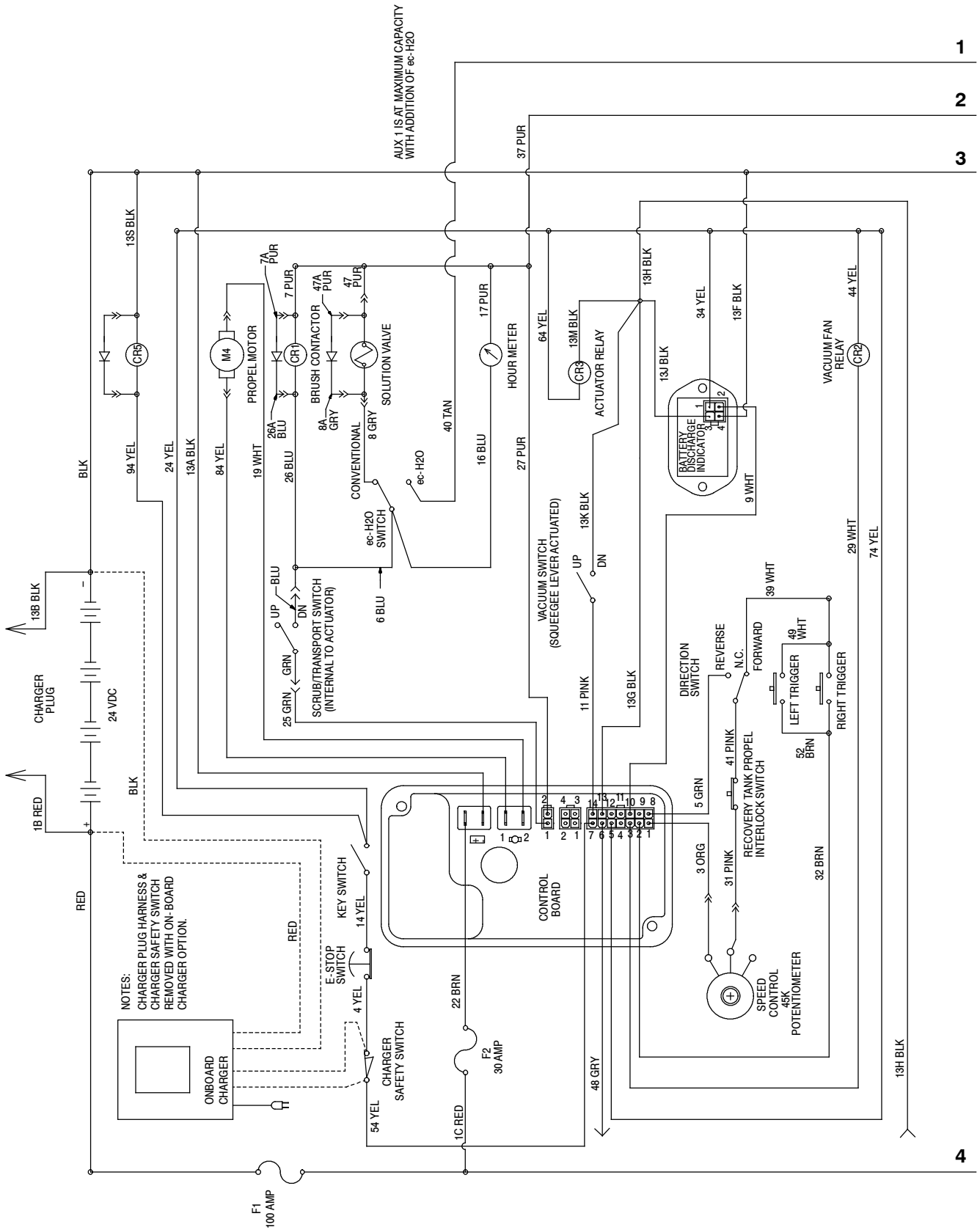
ELECTRICAL DIAGRAM, STANDARD & FaST MODEL (S/N 1000000- 10740995)

1020931



ELECTRICAL DIAGRAM, *ec-H2O* MODEL (S/N 10378380- 10740995)

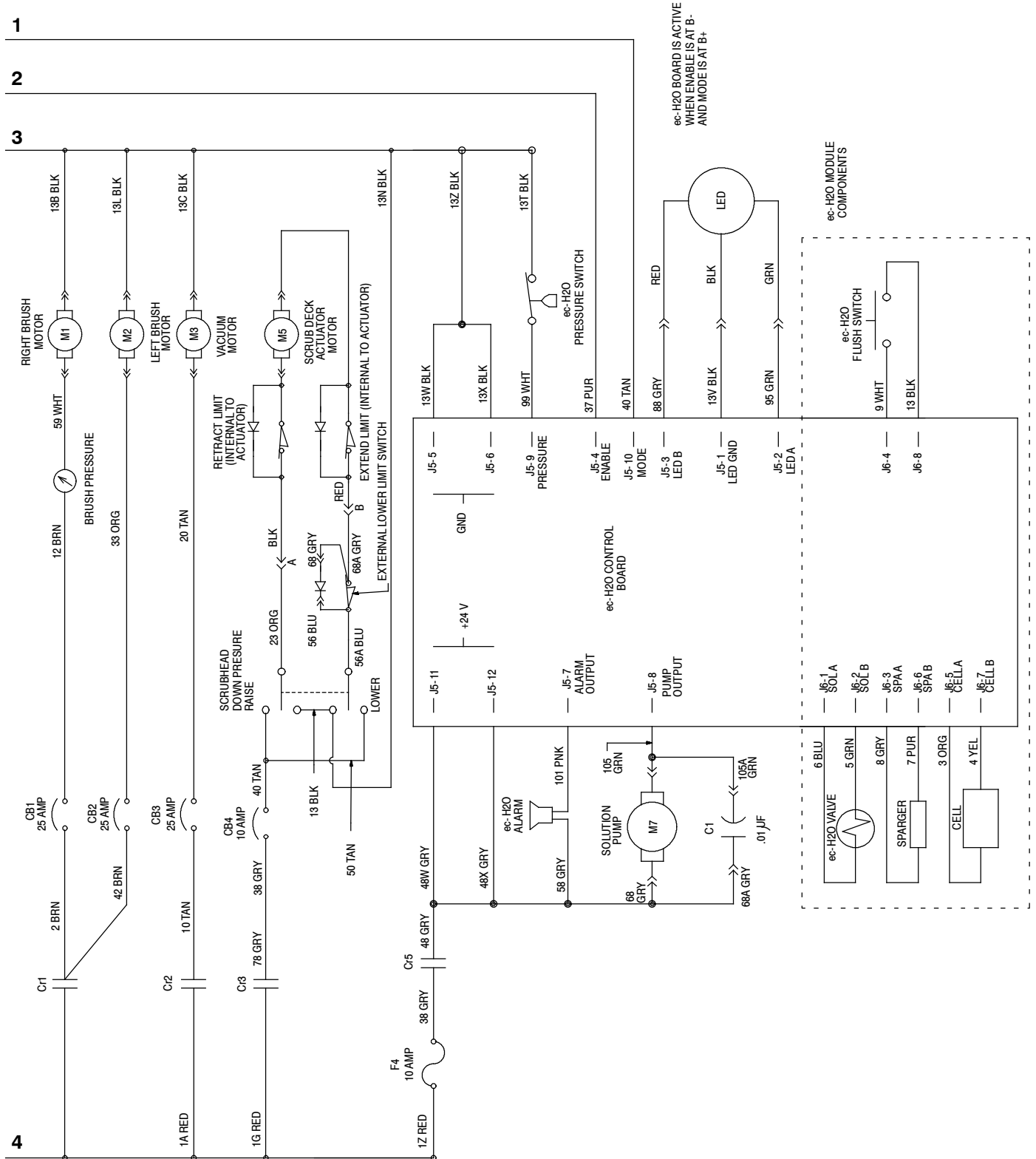
1043227_C



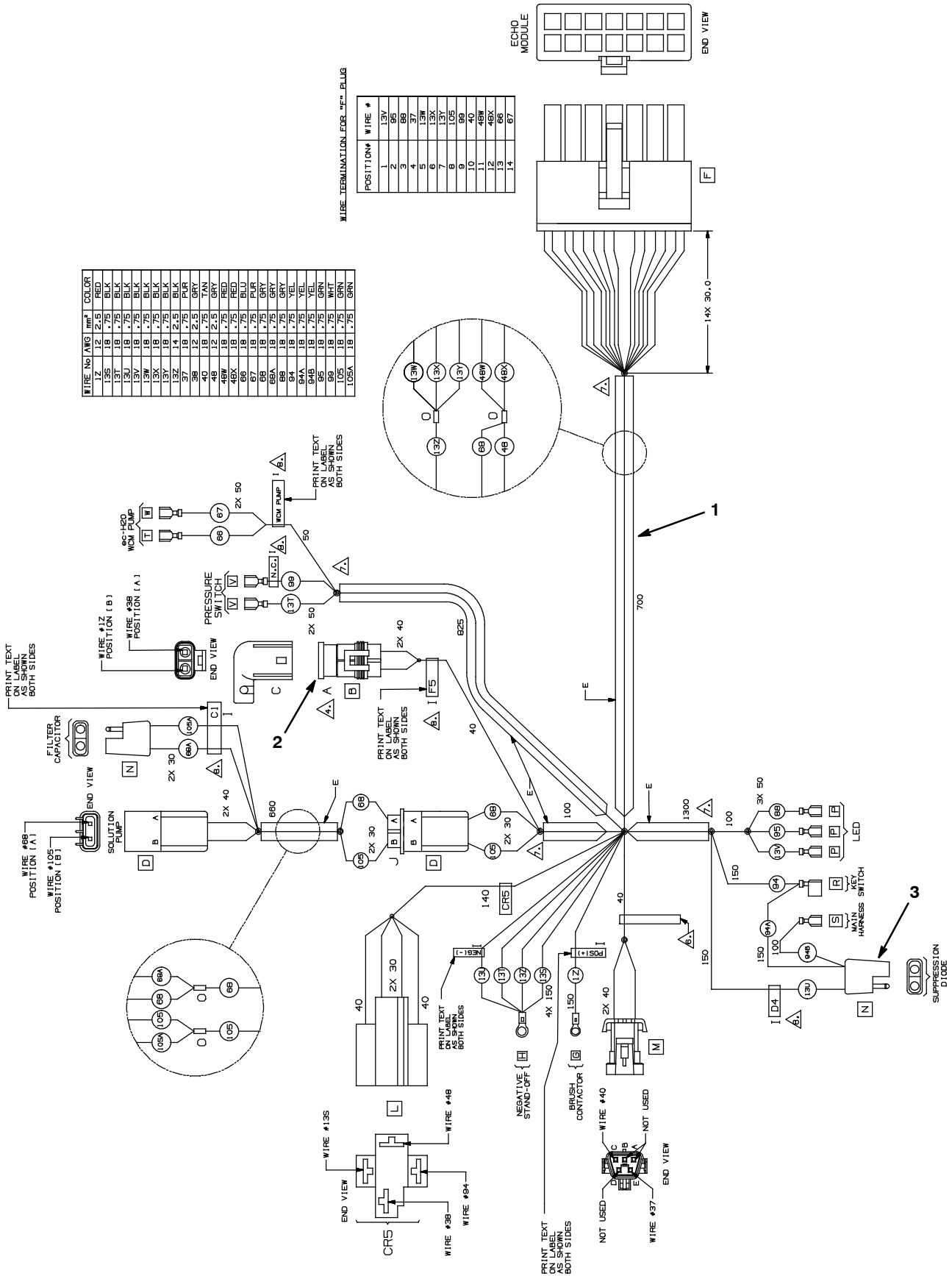
1
2
3
4

ELECTRICAL DIAGRAM, *ec-H2O* MODEL (S/N 10378380- 10740995)

1043227_C



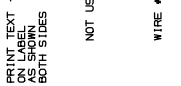
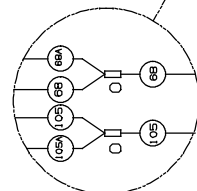
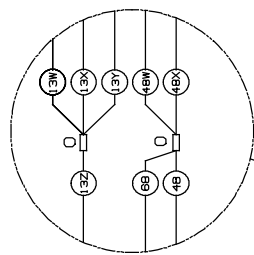
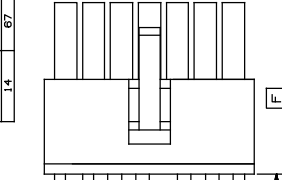
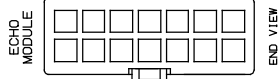
WIRE HARNESS GROUP, *ec-H2O* NANOCLEAN (S/N 10740996-)



WIRE No	AWG	mm ²	COLOR
12	12.5		RED
13	18	.75	BLK
13U	18	.75	BLK
13V	18	.75	BLK
13W	18	.75	BLK
13X	18	.75	BLK
13Y	18	.75	BLK
13Z	14	2.5	BLK
37	18	.75	PUR
38	12	2.5	GRY
40	18	.75	TAN
41	12	2.5	GRY
48W	18	.75	RED
48X	18	.75	RED
66	18	.75	BLU
67	18	.75	PUR
68	18	.75	GRY
68A	18	.75	GRY
68B	18	.75	GRY
68C	18	.75	GRY
68D	18	.75	GRY
68E	18	.75	GRY
68F	18	.75	GRY
68G	18	.75	GRY
68H	18	.75	GRY
68I	18	.75	GRY
68J	18	.75	GRY
68K	18	.75	GRY
68L	18	.75	GRY
68M	18	.75	GRY
68N	18	.75	GRY
68O	18	.75	GRY
68P	18	.75	GRY
68Q	18	.75	GRY
68R	18	.75	GRY
68S	18	.75	GRY
68T	18	.75	GRY
68U	18	.75	GRY
68V	18	.75	GRY
68W	18	.75	GRY
68X	18	.75	GRY
68Y	18	.75	GRY
68Z	18	.75	GRY
105A	18	.75	GRN

WIRE TERMINATION FOR "F" PLUG

POSITION#	WIRE #
1	13V
2	95
3	95
4	95
5	13W
6	13X
7	13Y
8	105
9	90
10	90
11	48W
12	48X
13	66
14	67



WIRE HARNESS GROUP, *ec-H2O* NANOCLEAN (S/N 10740996-)

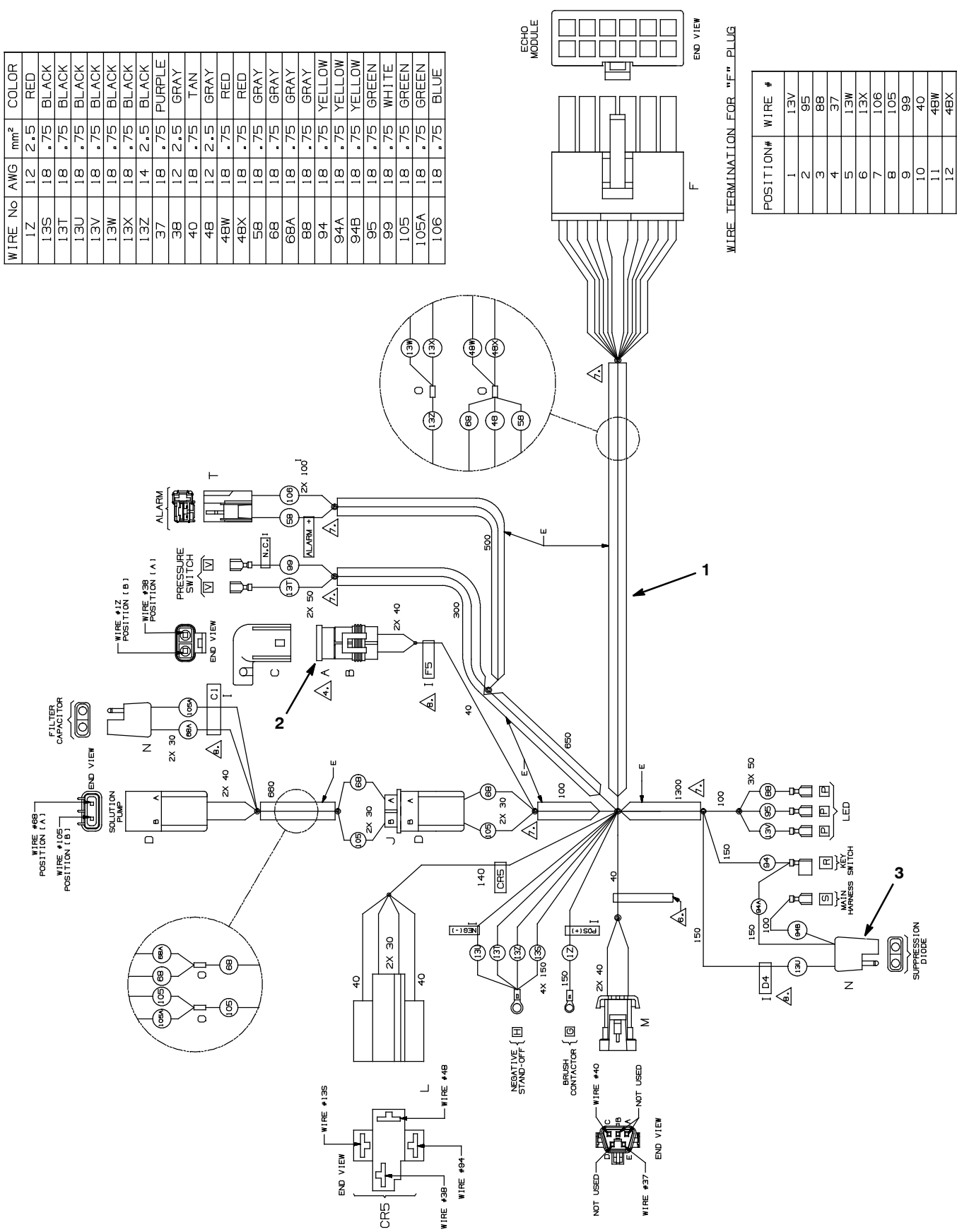
	Ref.	Part No.	Serial Number	Description	Qty.
▽	1	1074376	(10740996- 20000000)	Harness Assy, Wire [Ss5 Ec- H2o G2]	1
▲	2	1047470	(10000000- 20000000)	Fuse, Blade, 010a, 32vdc, Red	1
	3	222290	(10000000- 20000000)	Diode, Ele, Plug	1

▽ ASSEMBLY

▲ INCLUDED IN ASSEMBLY

WIRE HARNESS GROUP, ec-H2O (S/N 10455033-10740995)

WIRE No	AWG	mm ²	COLOR
1Z	12	2.5	RED
13S	18	.75	BLACK
13T	18	.75	BLACK
13U	18	.75	BLACK
13V	18	.75	BLACK
13W	18	.75	BLACK
13X	18	.75	BLACK
13Z	14	2.5	BLACK
37	18	.75	PURPLE
38	12	2.5	GRAY
40	18	.75	TAN
48	12	2.5	GRAY
48W	18	.75	RED
48X	18	.75	RED
58	18	.75	GRAY
68	18	.75	GRAY
68A	18	.75	GRAY
88	18	.75	GRAY
94	18	.75	YELLOW
94A	18	.75	YELLOW
94B	18	.75	YELLOW
95	18	.75	GREEN
99	18	.75	WHITE
105A	18	.75	GREEN
106	18	.75	BLUE



WIRE TERMINATION FOR "F" PLUG

POSITION#	WIRE #
1	13V
2	95
3	88
4	37
5	13W
6	13X
7	106
8	105
9	99
10	40
11	48W
12	48X

WIRE HARNESS GROUP, *ec-H2O* (S/N 10455033- 10740995)

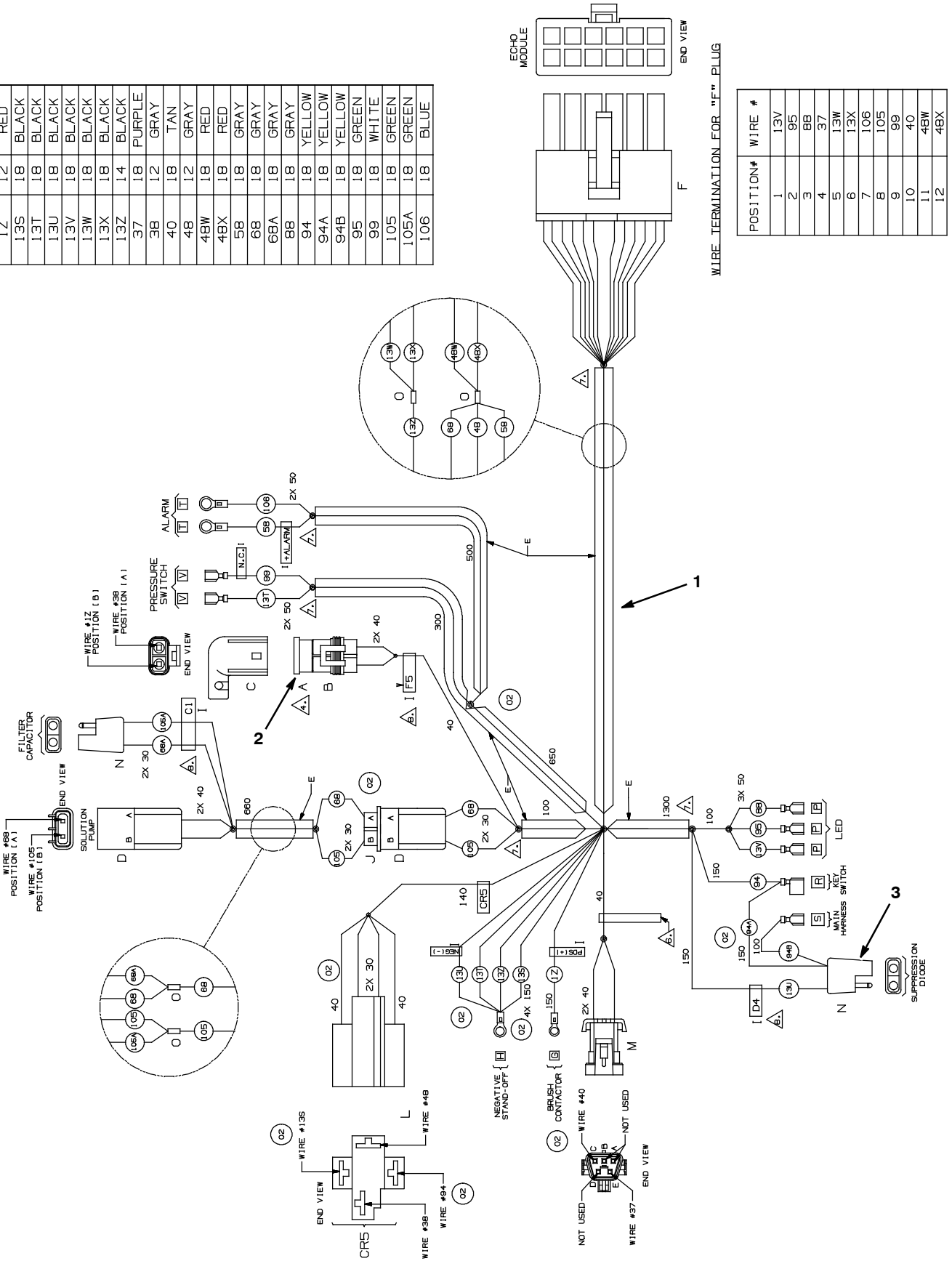
	Ref.	Part No.	Serial Number	Description	Qty.
▽	1	1055447	(10455033- 10740995)	Harness Assy, Wire [Ss5 Ec- H2o]	1
▲	2	1047470	(10000000- 20000000)	Fuse, Blade, 010a, 32vdc, Red	1
	3	222290	(10000000- 20000000)	Diode, Ele, Plug	1

▽ ASSEMBLY

▲ INCLUDED IN ASSEMBLY

WIRE HARNESS GROUP, *ec-H2O* (S/N 1000000-10455032)

WIRE No	AWG	COLOR
1Z	12	RED
13S	18	BLACK
13T	18	BLACK
13U	18	BLACK
13V	18	BLACK
13W	18	BLACK
13X	18	BLACK
13Z	14	BLACK
37	18	PURPLE
38	12	GRAY
40	18	TAN
48	12	GRAY
48W	18	RED
48X	18	RED
58	18	GRAY
68	18	GRAY
68A	18	GRAY
88	18	GRAY
94	18	YELLOW
94A	18	YELLOW
94B	18	YELLOW
95	18	GREEN
99	18	WHITE
105	18	GREEN
105A	18	GREEN
106	18	BLUE



WIRE TERMINATION FOR "F" PLUG

POSITION#	WIRE #
1	13V
2	95
3	88
4	37
5	13W
6	13X
7	106
8	105
9	99
10	40
11	48W
12	48X

WIRE HARNESS GROUP, *ec-H2O* (S/N 10000000- 10455032)

	Ref.	Part No.	Serial Number	Description	Qty.
▽	1	1045956	(10000000- 10455032)	Harness Assy, Wire [Ss5 Ec- H2o, P3]	1
▲	2	1047470	(10000000- 20000000)	Fuse, Blade, 010a, 32vdc, Red	1
	3	222290	(10000000- 20000000)	Diode, Ele, Plug	1

▽ ASSEMBLY

▲ INCLUDED IN ASSEMBLY

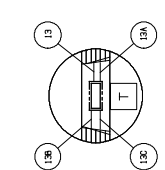
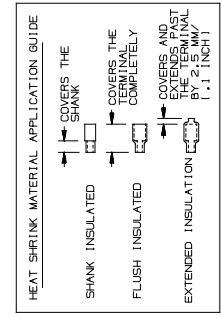
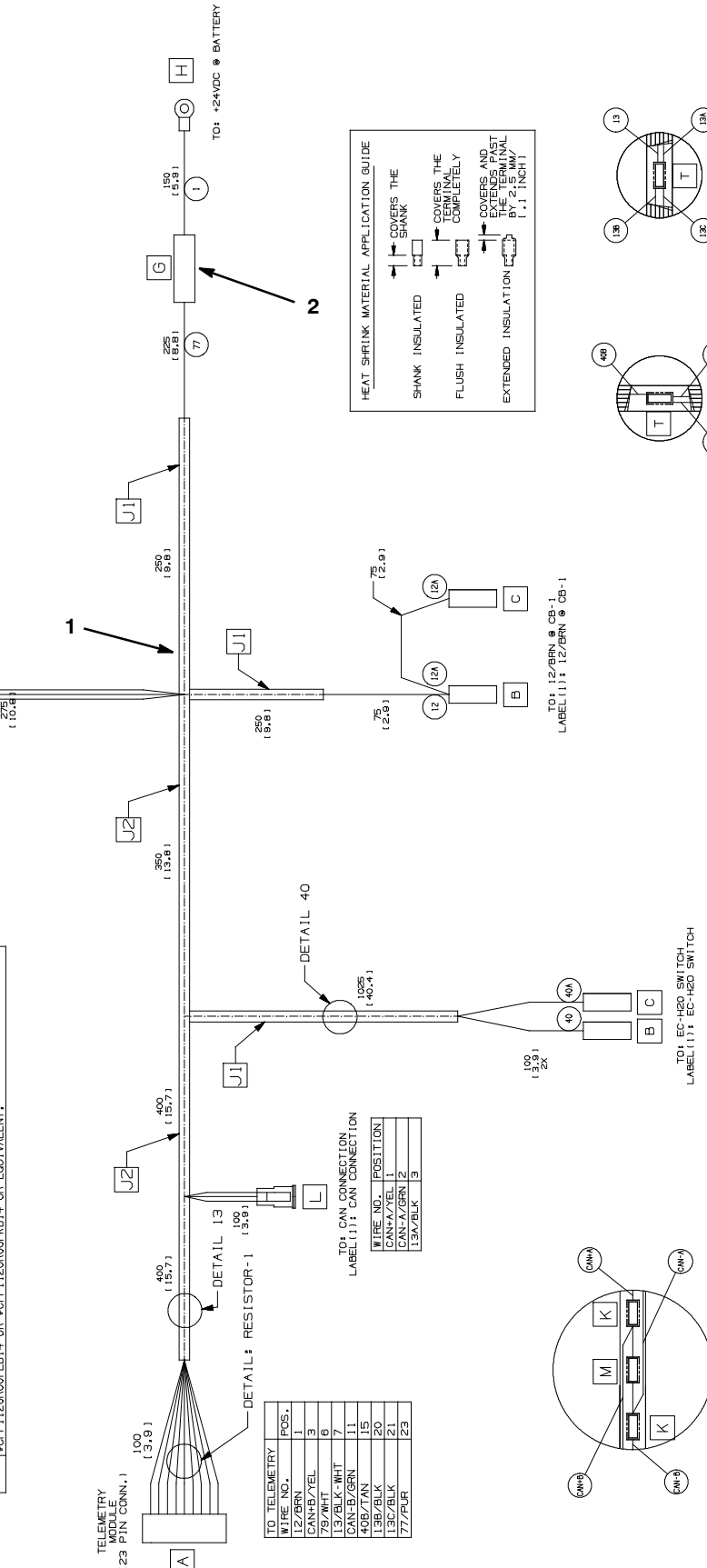
WIRE HARNESS GROUP, TELEMETRY

1074457_04

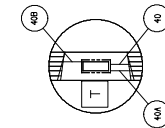
WIRE NO.	G/A	SPEC
17/RED	16	SEE NOTE #12
12/BRN	16	SEE NOTE #12
12A/BRN	12	SEE NOTE #13
13A/BLK	16	SEE NOTE #13
13A/BLK	16	SEE NOTE #13
13B/BLK	16	SEE NOTE #13
13C/BLK	16	SEE NOTE #13
13D/BLK	16	SEE NOTE #13
13E/BLK	16	SEE NOTE #13
13F/BLK	16	SEE NOTE #13
13G/BLK	16	SEE NOTE #13
13H/BLK	16	SEE NOTE #13
13I/BLK	16	SEE NOTE #13
13J/BLK	16	SEE NOTE #13
13K/BLK	16	SEE NOTE #13
13L/BLK	16	SEE NOTE #13
13M/BLK	16	SEE NOTE #13
13N/BLK	16	SEE NOTE #13
13O/BLK	16	SEE NOTE #13
13P/BLK	16	SEE NOTE #13
13Q/BLK	16	SEE NOTE #13
13R/BLK	16	SEE NOTE #13
13S/BLK	16	SEE NOTE #13
13T/BLK	16	SEE NOTE #13
13U/BLK	16	SEE NOTE #13
13V/BLK	16	SEE NOTE #13
13W/BLK	16	SEE NOTE #13
13X/BLK	16	SEE NOTE #13
13Y/BLK	16	SEE NOTE #13
13Z/BLK	16	SEE NOTE #13

CAN BUS CAN-B IS TWISTED WITH CAN-A. CAN-B IS TWISTED WITH CAN-B. 16GA. TWISTED PAIR WIRE IS TWISTED AT A RATE OF 1.25-1.50 THISTS PER INCH. FROM THE EDGE OF THE CONNECTOR BOOTIES.

ITEM	DESCRIPTION
A	AMPSEAL #16-16GA, 770684-1, UNUSED POSITIONS ARE SEALED INTERNALLY, AND DO NOT REQUIRE SEAL FLUG #770678-1.
B	TERMINATING RESISTOR: FEMALE, 6.35MM X .250" X .032" X .05" #1275-1, 10-14GA #2500-04150, FLUSH INSULATED HEAT SHRINK, BLACK, SEE NOTE #B.
C	TERMINAL, RECEPTACLE, MALE, 6.35MM X .250" X .032", UNINSULATED, ESCRIPOR #1291-26" #1794, BLACK, COVERING THE ENTIRE TERMINAL, CONNECTOR BODY (11), DEUTSCH, DT SERIES, 3F, DT08-35.
D	W35, TERMINAL (1), FEMALE, 16-18GA #1062-16-0122-PS, 14-16GA #1062-14-0122-PS, SOLID 16-20GA #0462-201-16141.
E	TERMINAL (4), FEMALE, PACKARD, 14-16GA #12124590, WIRE SEALS, 14-16GA, #15324982.
F	CONNECTOR (11), PACKARD, WEATHERPACK SERIES, 3M, 2X212015024, #15324982.
G	BULGIN, IN-LINE FUSEHOLDER, #X0185, LOADED WITH 2-0AMP FUSE1 BUESMANN #85-24, OR LITTELFUSE #0314-002-HRP.
H	MULEX 18044-01861, 7.5 SHANK INSULATION HEATSHRINK, BLACK, 3M #FF-301VM OR (RAYCHEM VERSAFIT, OR ASTRATITE AVF, OR DUNBAR 1638F).
I	CONDUIT VS RED, NYLON BLACK SLOTTED TUBULE CONDUIT TUBING, DO NOT USE WITH NYLON BLACK SLOTTED TUBULE CONDUIT TUBING. MAXIMUM CONDUIT I.D. DIAMETER SIZE IS .25", J2 = .35".
J	SHRINK TUBING
K	CLIP SPLICE CRIMP OR SONIC WIRE TOGETHER, AND COVER WITH HEAT SHRINK TUBING
L	RESISTOR, AXIAL LEAD, METAL FILM, 120 OHM, 0.5W, 1%, VISHAY/DALE #1062-14-0122-PS, SOLID 16-20GA #0462-201-16141.
M	#CPT1162007ED1-H OR #CPT116200701-H OR EQUIVALENT.



DETAIL 13



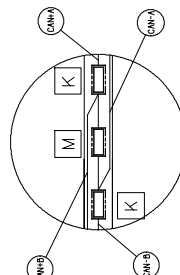
DETAIL 40

TO TELEMETRY

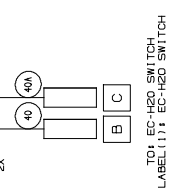
WIRE NO.	POS.
12/BRN	1
CAN-B/YEL	3
79/WHT	6
13/BLK-WHT	7
CAN-B/GRN	11
13B/TAN	15
13C/BLK	21
77/FLR	23

TO: CAN CONNECTION LABEL (1): CAN CONNECTION

WIRE NO.	POSITION
CAN-A/YEL	1
CAN-A/GRN	2
13A/BLK	3



DETAIL RESISTOR-1



TO: EC-H20 SWITCH LABEL (1): EC-H20 SWITCH

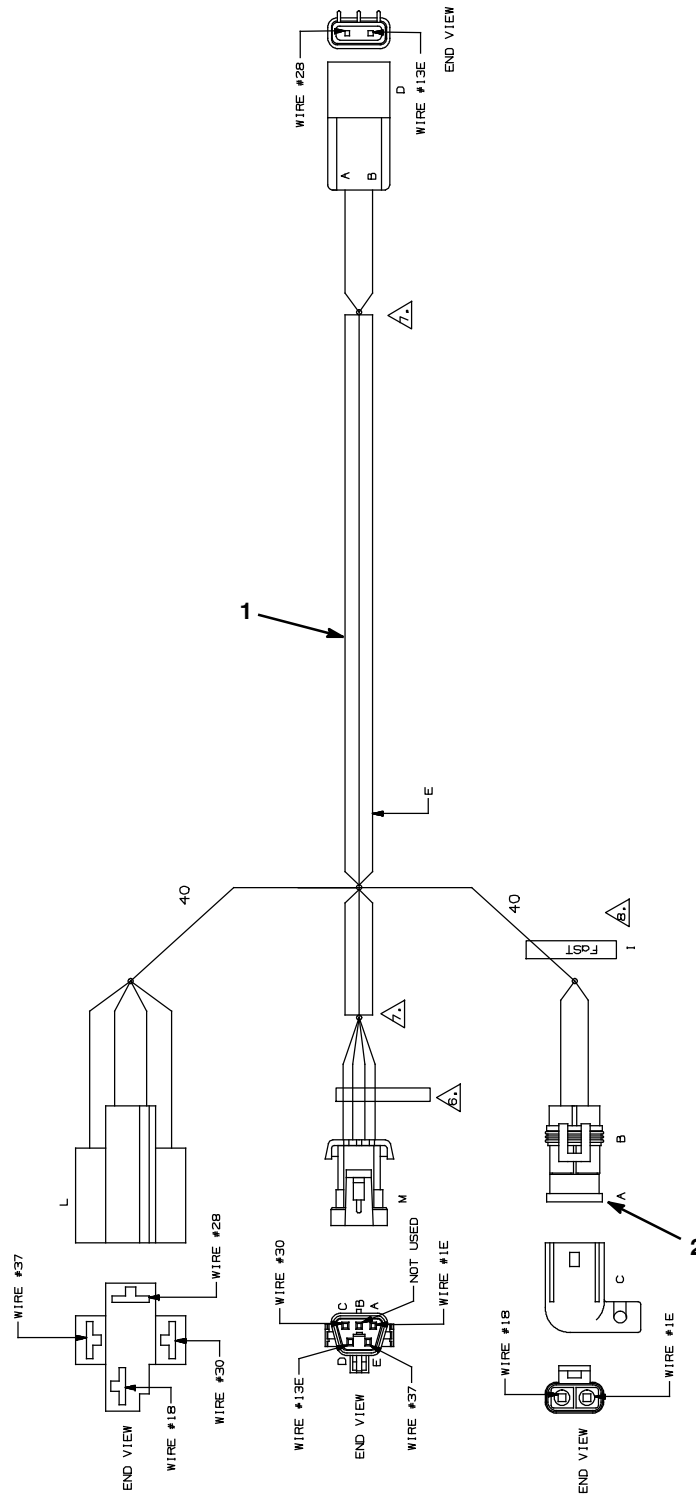
WIRE HARNESS GROUP, TELEMETRY

	Ref.	Part No.	Serial Number	Description	Qty.
▽	1	1074457	(10740996-20000000)	Harness, Ele, Telem [Ss5]	1
▲	2	9009990	(10740996-20000000)	Vr, Fuse, 002a, 250vdc, Cartridge	1

▽ ASSEMBLY

▲ INCLUDED IN ASSEMBLY

WIRE HARNESS GROUP, FAST

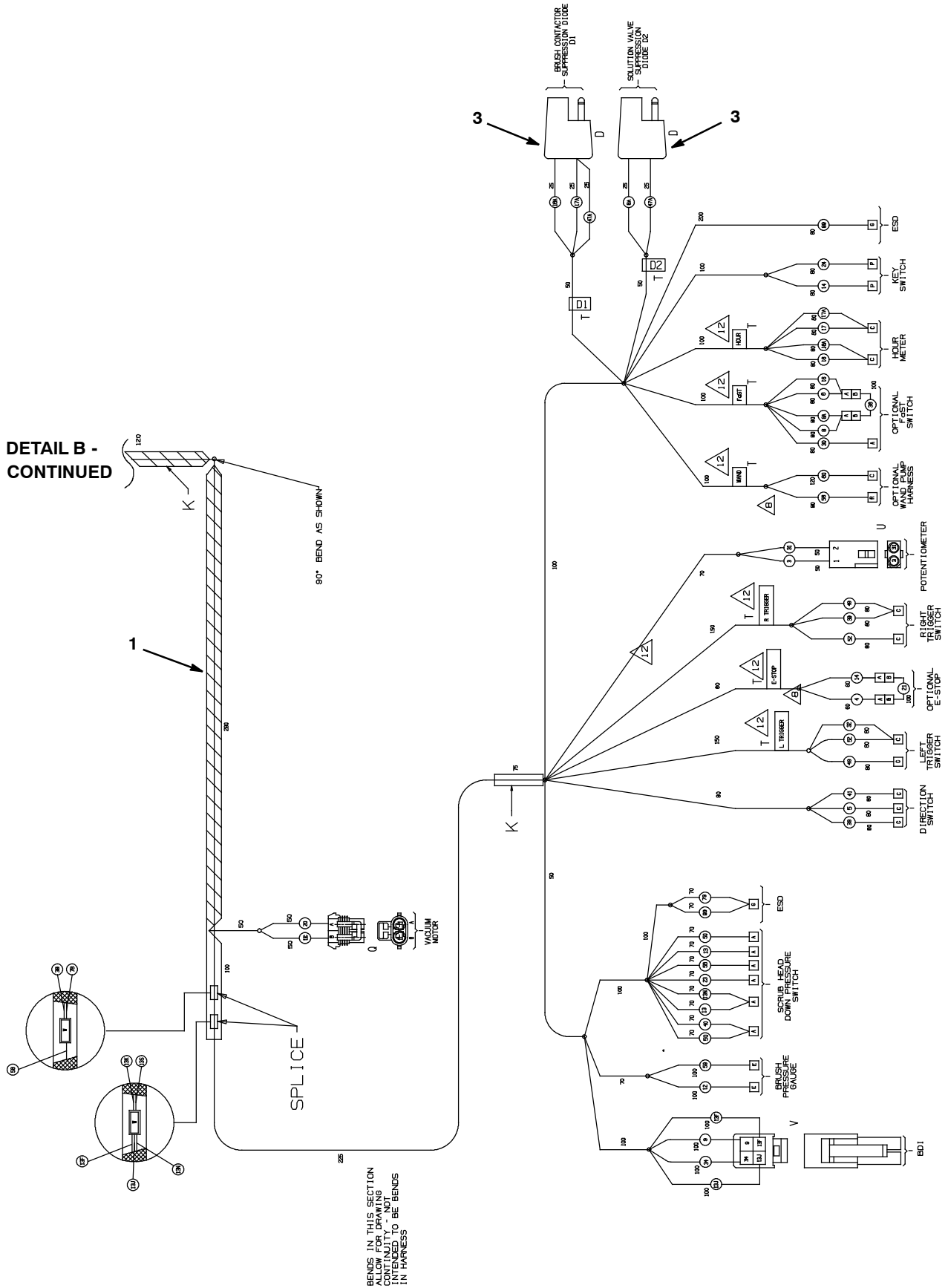


Ref.	Part No.	Serial Number	Description	Qty.
▽ 1	1028396	(10000000- 20000000)	Harness Assy, Wire [Fast Option, Ss5]	1
▲ 2	1016039	(10000000- 20000000)	Fuse, Blade, 007.5a, 32vdc	1

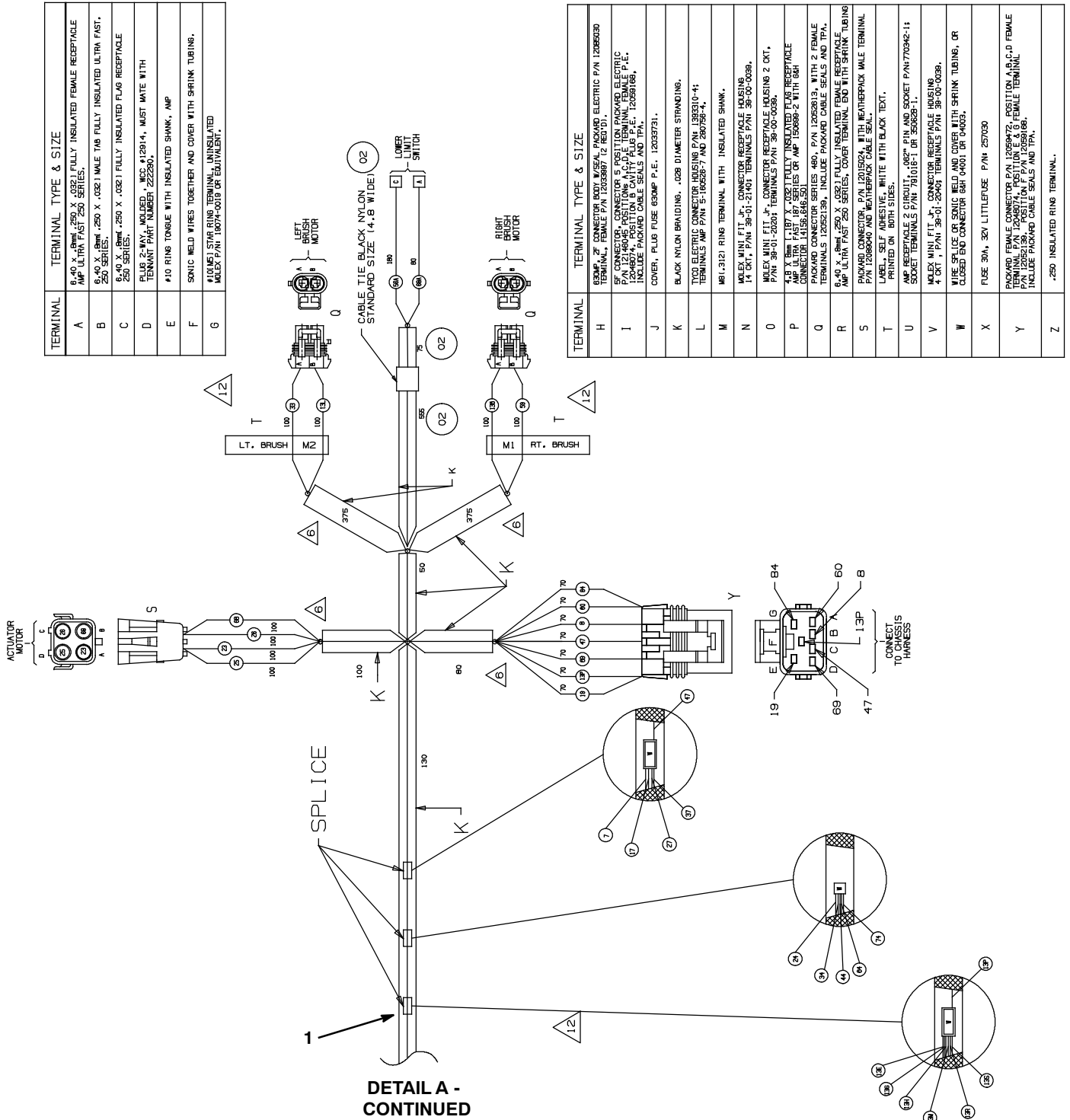
▽ ASSEMBLY

▲ INCLUDED IN ASSEMBLY

WIRE HARNESS GROUP, MAIN (S/N 10722199-)



WIRE HARNESS GROUP, MAIN (S/N 10722199-)



TERMINAL	TERMINAL TYPE & SIZE
A	6.40 X .250 X .0321 FULLY INSULATED FEMALE RECEPTACLE AMP ULTRA FAST 250 SERIES.
B	6.40 X .250 X .0321 MALE TAB FULLY INSULATED ULTRA FAST. 250 SERIES.
C	6.40 X .250 X .0321 FULLY INSULATED PLUG RECEPTACLE 250 SERIES.
D	PLUG 2 WAY INSULATED, MCA #12914, MUST MATE WITH TERMINAL PART NUMBER 222290.
E	#10 RING TONGUE WITH INSULATED SHANK, AMP
F	SONIC WELD WIRES TOGETHER AND COVER WITH SHRINK TUBING.
G	#100 M3 STAR RING TERMINAL, UNINSULATED MALE, P/N 18074-0018 OR EQUIVALENT.

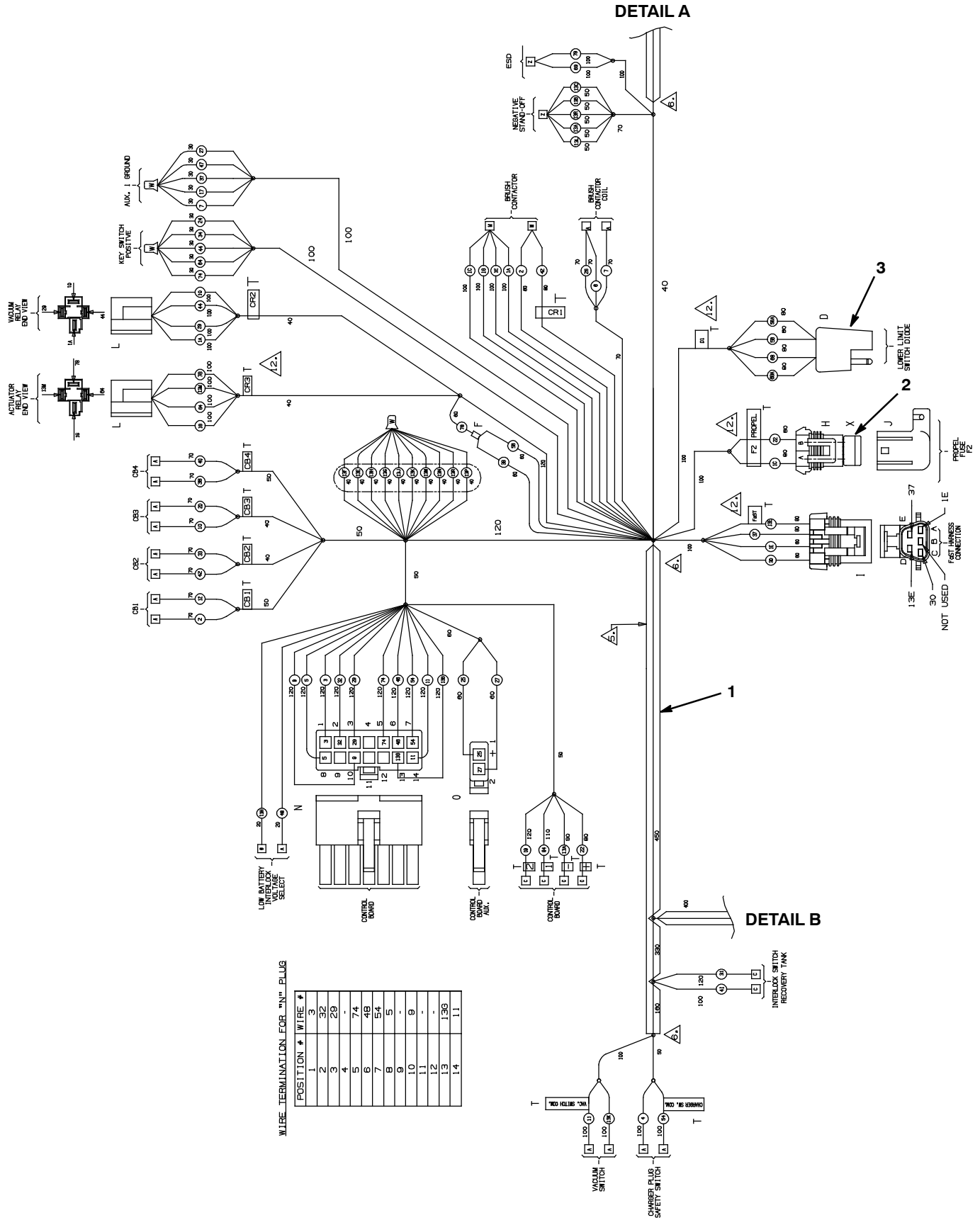
TERMINAL	TERMINAL TYPE & SIZE
H	60MP AMP CONNECTOR BODY, 2 POSITION, 2 POSITION ELECTRIC P/N 12069039
I	60MP AMP CONNECTOR HOUSING P/N 189310-11
J	60MP AMP CONNECTOR HOUSING P/N 189310-11
K	BLACK NYLON BRAIDING, .028 DIAMETER STRANDING.
L	TICO ELECTRIC CONNECTOR HOUSING P/N 189310-11
M	M61.312 RING TERMINAL WITH INSULATED SHANK.
N	MALE MINI FIT J, CONNECTOR RECEPTACLE HOUSING P/N 189310-11
O	MALE MINI FIT J, CONNECTOR RECEPTACLE HOUSING P/N 189310-11
P	AMP ULTRA FAST 187 SERIES OR AMP 152039-2 WITH 6SH CONNECTOR 14156.646.501
Q	PACKARD CONNECTOR SERIES 460, P/N 12058619, WITH 2 FEMALE TERMINALS 1632.139, INCLUDE INSULATED CABLE SEALS AND P/N AMP ULTRA FAST 250 SERIES COVER TERMINAL END WITH SHRINK TUBING
S	PACKARD CONNECTOR P/N 12058619, WITH WEATHERPACK MALE TERMINAL P/N 12058640 AND WEATHERPACK CABLE SEAL.
T	LABEL, SELF ADHESIVE, WHITE WITH BLACK TEXT.
U	AMP RECEPTACLE 2 CIRCUIT, .082" PIN AND SOCKET P/N 770942-11 SOCKET TERMINALS P/N 781016-1 OR 350629-1.
V	MALE MINI FIT J, CONNECTOR RECEPTACLE HOUSING 4 CRT, P/N 39-01-2040T TERMINALS P/N 39-00-0039.
W	WIRE SPLICE OR SONIC WELD AND COVER WITH SHRINK TUBING, OR CLOSED END CONNECTOR B&T 0401 OR 0403.
X	FUSE 30A, 32V LITTLEFUSE P/N 257030
Y	PACKARD FEMALE CONNECTOR P/N 189310-11, POSITION 1 & 6 FEMALE TERMINAL P/N 189310-11, POSITION 2 & 5 FEMALE TERMINAL P/N 189310-11, POSITION 3 & 4 FEMALE TERMINAL P/N 189310-11, POSITION 4 & 6 FEMALE TERMINAL
Z	.250 INSULATED RING TERMINAL.

DETAIL A - CONTINUED

Ref.	Part No.	Serial Number	Description	Qty.
▽	1	1073813	(10722199- 20000000) Harness, Main [Ss5]	1
▲	2	762516	(10000000- 20000000) Fuse, Blade, 030a, 32vdc	1
	3	222290	(10000000- 20000000) Diode, Ele, Plug	3

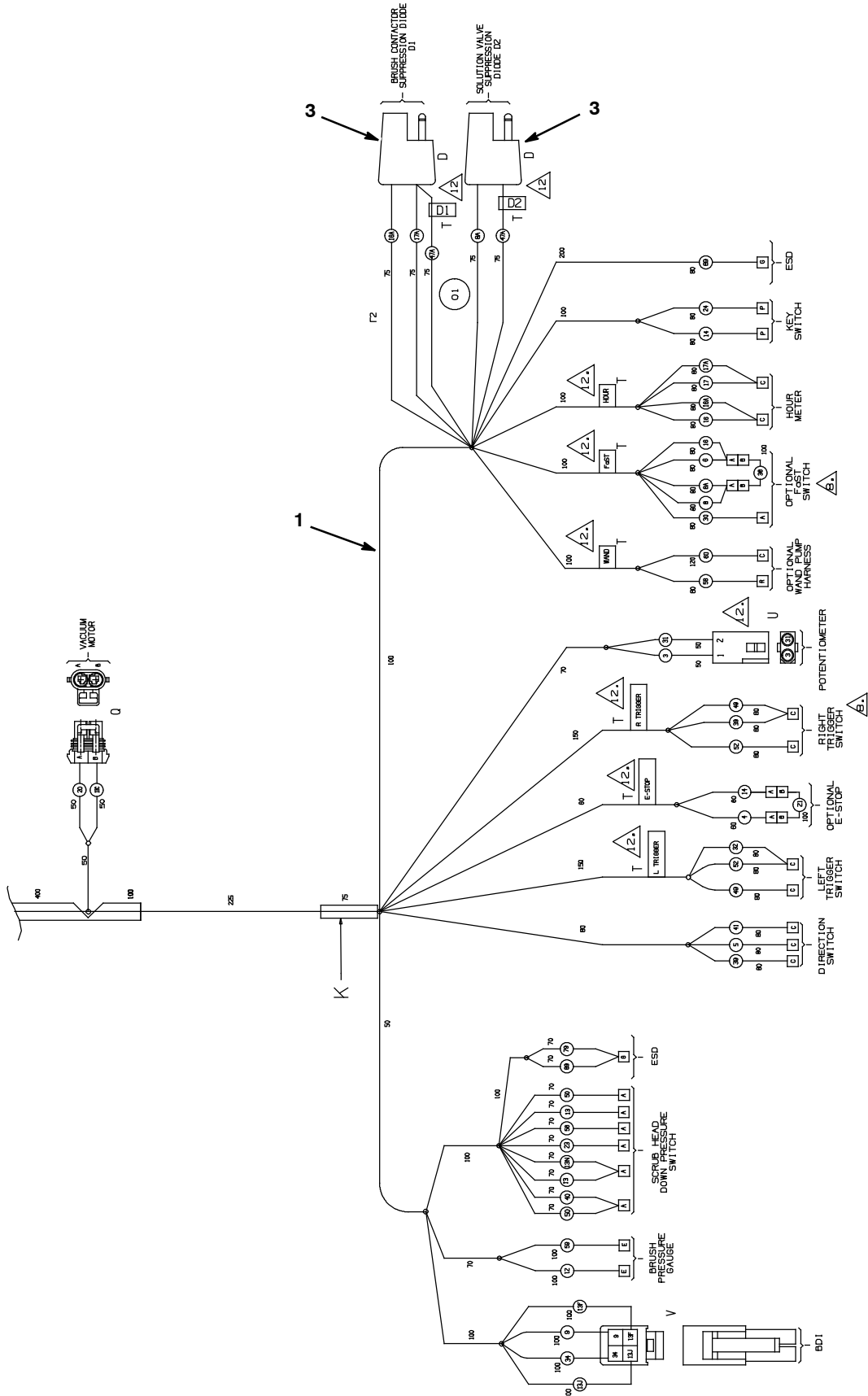
▽ ASSEMBLY
▲ INCLUDED IN ASSEMBLY

WIRE HARNESS GROUP, MAIN (S/N 1000000-10722198)



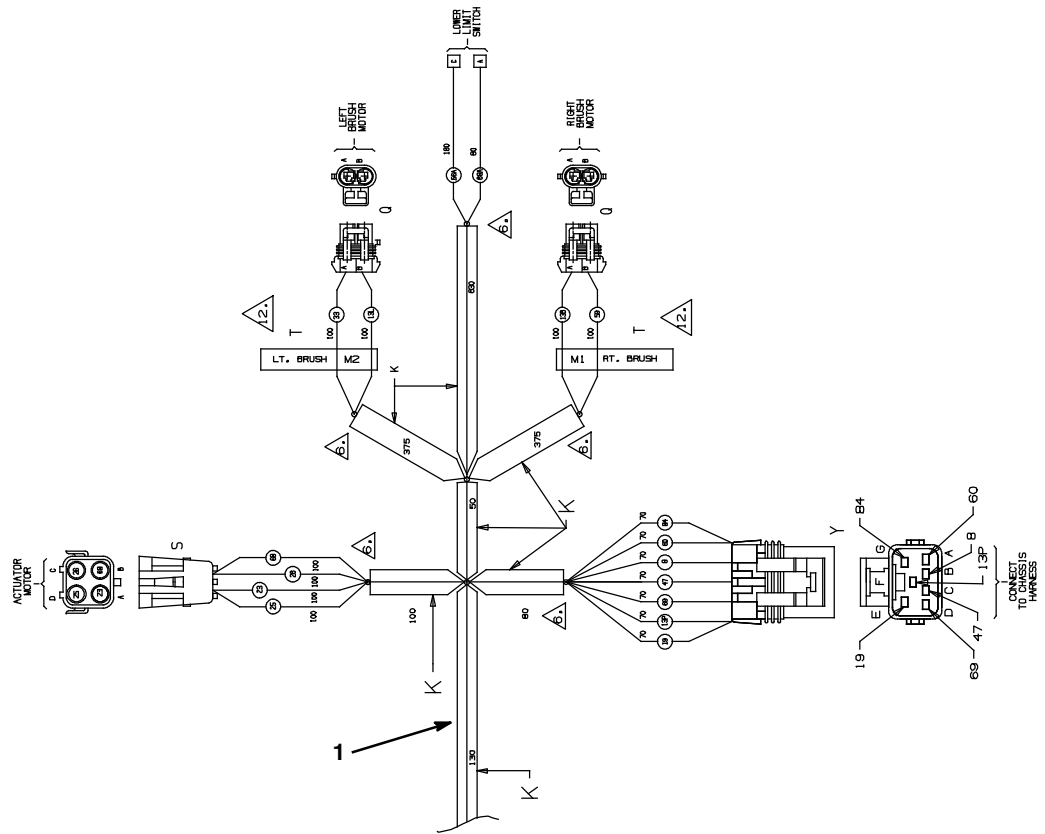
WIRE HARNESS GROUP, MAIN (S/N 1000000- 10722198)

DETAIL B -
CONTINUED



STANDARD PARTS

WIRE HARNESS GROUP, MAIN (S/N 1000000-10722198)



DETAIL A - CONTINUED

WIRE NO:	AWG	COLOR
28	18	WHITE
30	18	TAN
31	18	PINK
32	18	BROWN
33	10	ORANGE
34	18	YELLOW
36	18	BLUE
37	18	PURPLE
38	16	GRAY
39	18	WHITE
40	18	TAN
41	18	PINK
42	10	BROWN
44	18	YELLOW
47	18	PURPLE
47A	18	PURPLE
48	18	GRAY
49	18	WHITE
50	16	TAN
52	18	BROWN
54	18	YELLOW
56	18	BLUE
56A	18	BLUE
58	18	GRAY
59	10	WHITE
60	18	TAN
64	18	YELLOW
68	18	GRAY
68A	18	GRAY
69	18	WHITE
74	18	YELLOW
78	12	GRAY
79	18	WHITE
84	12	YELLOW
89	18	WHITE

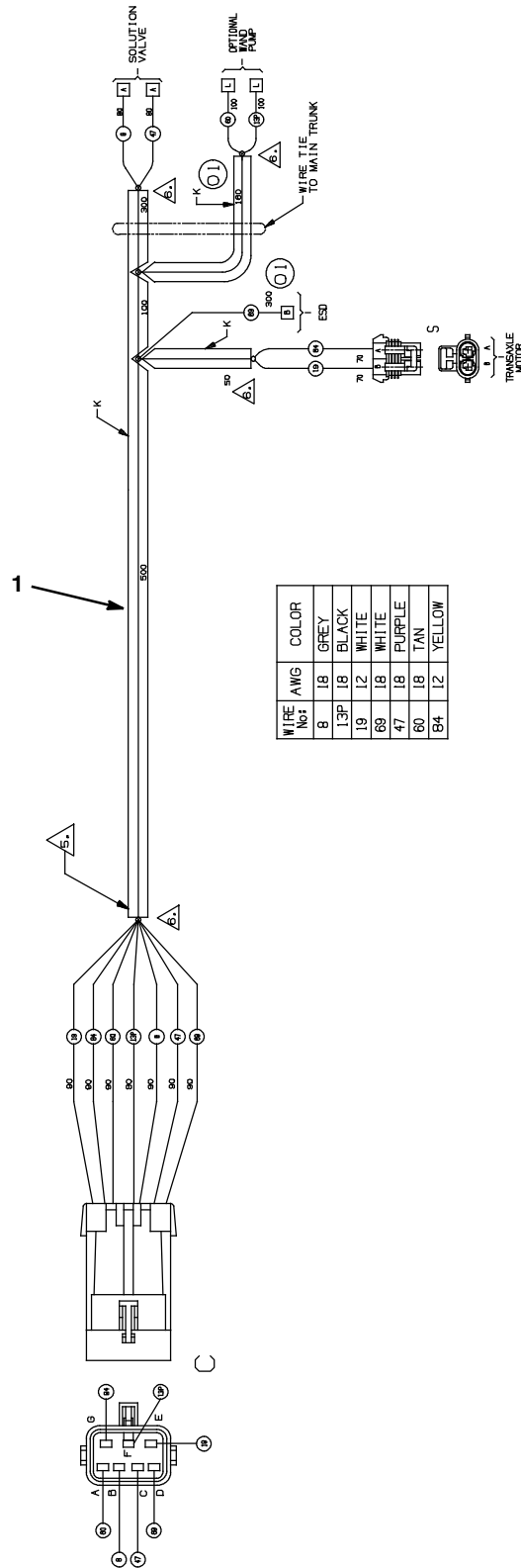
WIRE NO:	AWG	COLOR
1A	10	RED
1C	10	RED
1E	18	RED
16	12	RED
2	10	BROWN
3	18	ORANGE
4	18	YELLOW
5	18	GREEN
6	18	BLUE
7	18	PURPLE
8	18	GRAY
8A	18	GRAY
9	18	WHITE
10	12	TAN
11	18	PINK
12	10	BROWN
13	16	BLACK
13A	10	BLACK
13B	10	BLACK
13C	12	BLACK
13E	18	BLACK
13F	18	BLACK
13G	18	BLACK
13H	18	BLACK
13J	18	BLACK
13K	18	BLACK
13L	10	BLACK
13M	18	BLACK
13N	18	BLACK
13P	18	BLACK
13R	14	BLACK
14	18	YELLOW
16	18	BLUE
16A	18	BLUE
17	18	PURPLE
17A	18	PURPLE
19	12	WHITE
20	12	TAN
21	18	PINK
22	10	BROWN
23	18	ORANGE
24	18	YELLOW
25	18	GREEN
26	18	BLUE
27	18	PURPLE

	Ref.	Part No.	Serial Number	Description	Qty.
▽	1	1048405	(1000000-10722198)	Harness, Main [Ss5]	1
▲	2	762516	(1000000-2000000)	Fuse, Blade, 030a, 32vdc	1
	3	222290	(1000000-2000000)	Diode, Ele, Plug	3

▽ ASSEMBLY

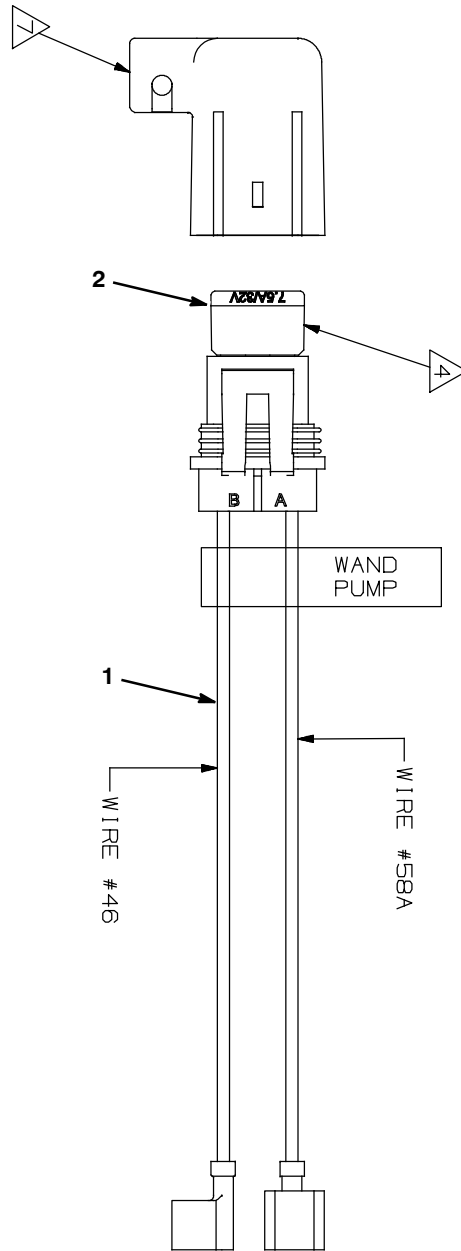
▲ INCLUDED IN ASSEMBLY

WIRE HARNESS GROUP, FRAME



Ref.	Part No.	Serial Number	Description	Qty.
1	1024721	(10000000-20000000)	Harness, Chassis, Wire [Ss5]	1

WIRE HARNESS GROUP, WAND OPTION

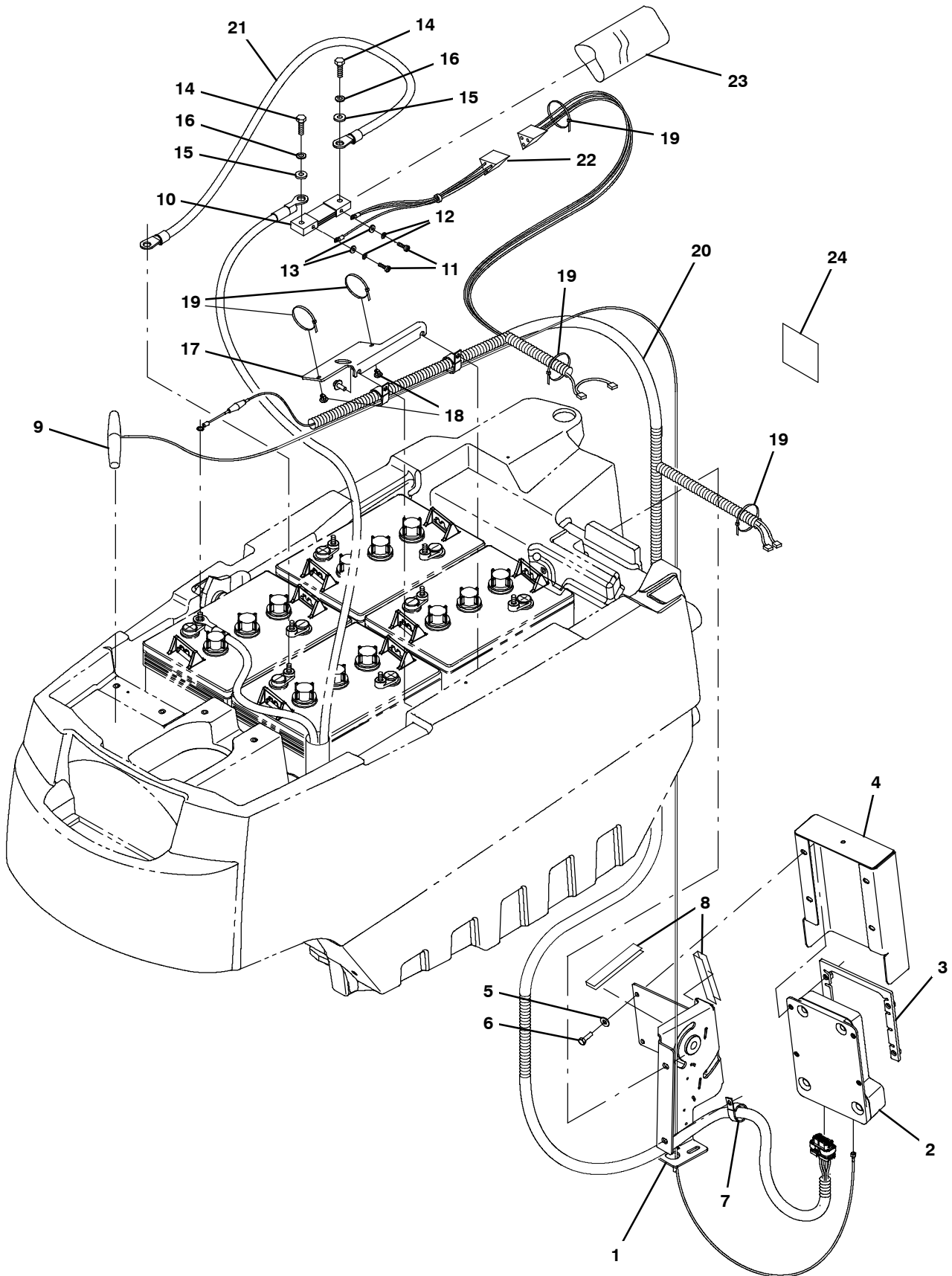


	Ref.	Part No.	Serial Number	Description	Qty.
▽	1	1026870	(10000000-20000000)	Harness, Wand [Ss5]	1
▲	2	1016039	(10000000-20000000)	Fuse, Blade, 007.5a, 32vdc	1

▽ ASSEMBLY

▲ INCLUDED IN ASSEMBLY

IRIS TELEMETRY GROUP



IRIS TELEMETRY GROUP

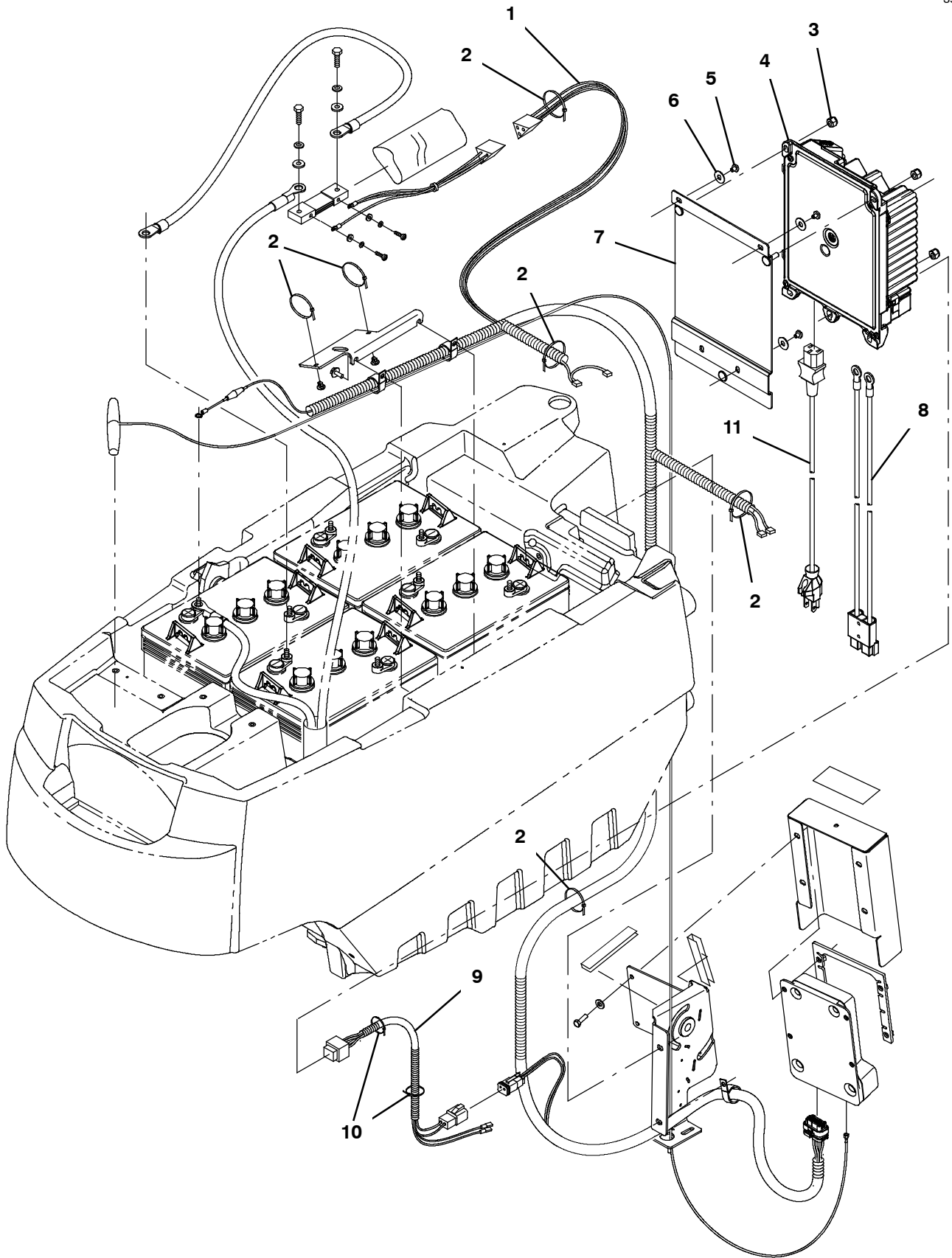
Ref.	Part No.	Serial Number	Description	Qty.	
1	1216219	(10740996-20000000)	Bracket Wldt, Lift, Sqge [Ss5]	1	
2	9010085	(10740996-20000000)	Control Box Assy Kit, Replmt, Telem[Usa]	1	
2	9010086	(10740996-20000000)	Control Box Assy Kit, Replmt, Telem[Intl]	1	
3	1216841	(10740996-20000000)	Guard Wldt, Controlbox	1	
4	1216739	(10740996-20000000)	Cover, Guard	4	
5	32483	(10740996-20000000)	Washer, Flat, 0.25, Sae	4	
6	06943	(10740996-20000000)	Screw, Hex, M6 X 1.00 X 20, 8.8	1	
7	630428	(10740996-20000000)	Clamp, Cable, Stl, 1.00d X 0.50w,.25mnt	1	
8	1006267	(10740996-20000000)	Seal, Edge, Foam, .37, .75w, Bulk	2	
9	1070659	(10740996-20000000)	Antenna, Telem, 70 In [Gprs]	1	
10	1217304	(10740996-20000000)	Shunt [Empro, 250amp/50mv, Metric]	1	
11	391403	(10740996-20000000)	Screw, Pan, Phl, M4 X 0.70 X 8, Ss	2	
12	02938	(10740996-20000000)	Washer, Lock, Int, 08, Ss	2	
13	41578	(10740996-20000000)	Washer, Flat, 06, Ss	2	
14	15675	(10740996-20000000)	Screw, Hex, M8 X 1.25 X 16, Ss	2	
15	01685	(10740996-20000000)	Washer, Flat, 0.38b 0.88d .08, Ss	2	
16	43952	(10740996-20000000)	Washer, Lock, Int, 0.31, Ss	2	
17	1216629	(10740996-20000000)	Bracket, Shunt	1	
18	1202868	(10740996-20000000)	Clip, Tie, 0.25d, Plstc	2	
19	130773	(10740996-20000000)	Tie, Cable, Nyl, 11.0l, .14w, 3.0 Max. D	10	
▽	20	1074457	(10740996-20000000)	Harness, Ele, Telem [Ss5]	1
▲		9009990	(10740996-20000000)	Vr, Fuse, 002a, 250vdc, Cartridge	1
	21	130364	(10740996-20000000)	Cable, 06ga 15.0l Blk .31ring /.38ring	1
	22	1074595	(10740996-20000000)	Harness, Ele, Telem, Shunt	1
	23	1217818	(10740996-20000000)	Sleeve, Heatshrink, 1.50id, 07.0l	1
	24	1069580	(10740996-20000000)	Label, Mach, Telem [Usa, Intl]	1

▽ ASSEMBLY

▲ INCLUDED IN ASSEMBLY

IRIS TELEMETRY BATTERY MANAGER KIT

355596



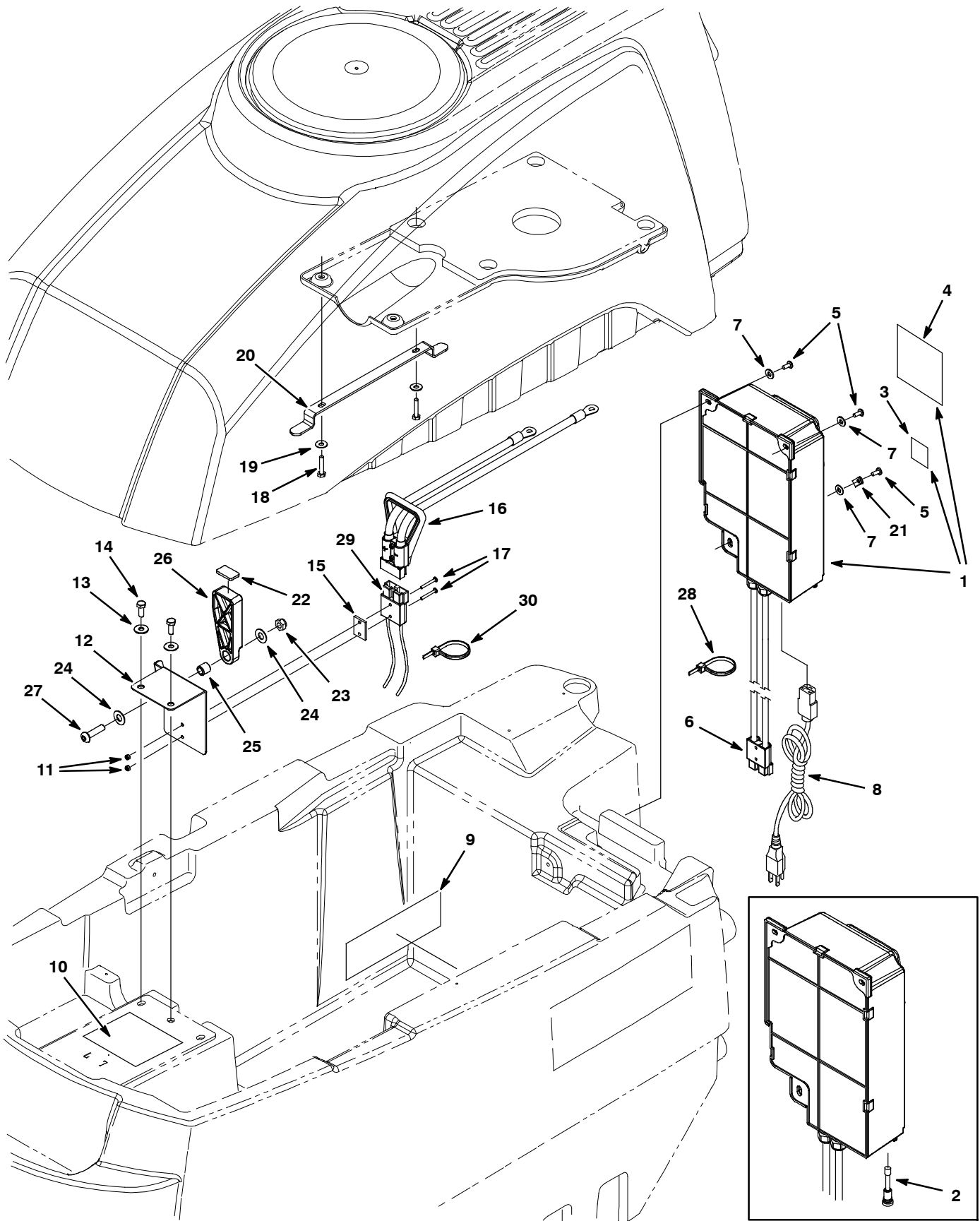
IRIS TELEMETRY BATTERY MANAGER KIT

Ref.	Part No.	Serial Number	Description	Qty.
▽	9015288	(10000000- 20000000)	Harness Kit, Amii, Ci [T5e] (Kit Needed to Add Iris Battery Manager Functionality to Telemetry Models With On- Board Charger Only)	1
▲▽	1 1074457	(10000000- 20000000)	Harness, Ele, Telem [Ss5]	1
▲▲	9009990	(10000000- 20000000)	Vr, Fuse, 002a, 250vdc, Cartridge	1
▲	2 130773	(10000000- 20000000)	Tie, Cable, Nyl, 11.0l, .14w, 3.0 Max. D	6
▲	3 13513	(10000000- 20000000)	Nut, Hex, Lock, .25- 28, NI	3
▲	4 1219460	(10000000- 20000000)	Charger, 24vdc, 650w,100- 240vac [On Brd]	1
▲	5 06931	(10000000- 20000000)	Screw, Pan, Phl, M5 X 0.80 X 6, 4.8	3
▲	6 01684	(10000000- 20000000)	Washer, Flat, 0.27b 0.69d .05, Ss	3
▲	7 1214224	(10000000- 20000000)	Bracket Wldt, Charger, Delta- Q, Plan B	1
▲	8 1075426	(10000000- 20000000)	Cable Assy, 10ga [T5, Amii, Telem]	1
▲	9 1075427	(10000000- 20000000)	Harness, Ele, Telem [T5, Charger Comm.]	1
▲	10 130040	(10000000- 20000000)	Tie, Cable, Nyl, 06.0l .12w	2
▲	11 1025642	(10000000- 20000000)	Cord, Power, 16/3, 15ft Blk [Us] (Not Included In Kit - Use Cord From Current On- Board Charger)	1

▽ ASSEMBLY

▲ INCLUDED IN ASSEMBLY

ON-BOARD CHARGER GROUP - 120V (S/N 10409250-)



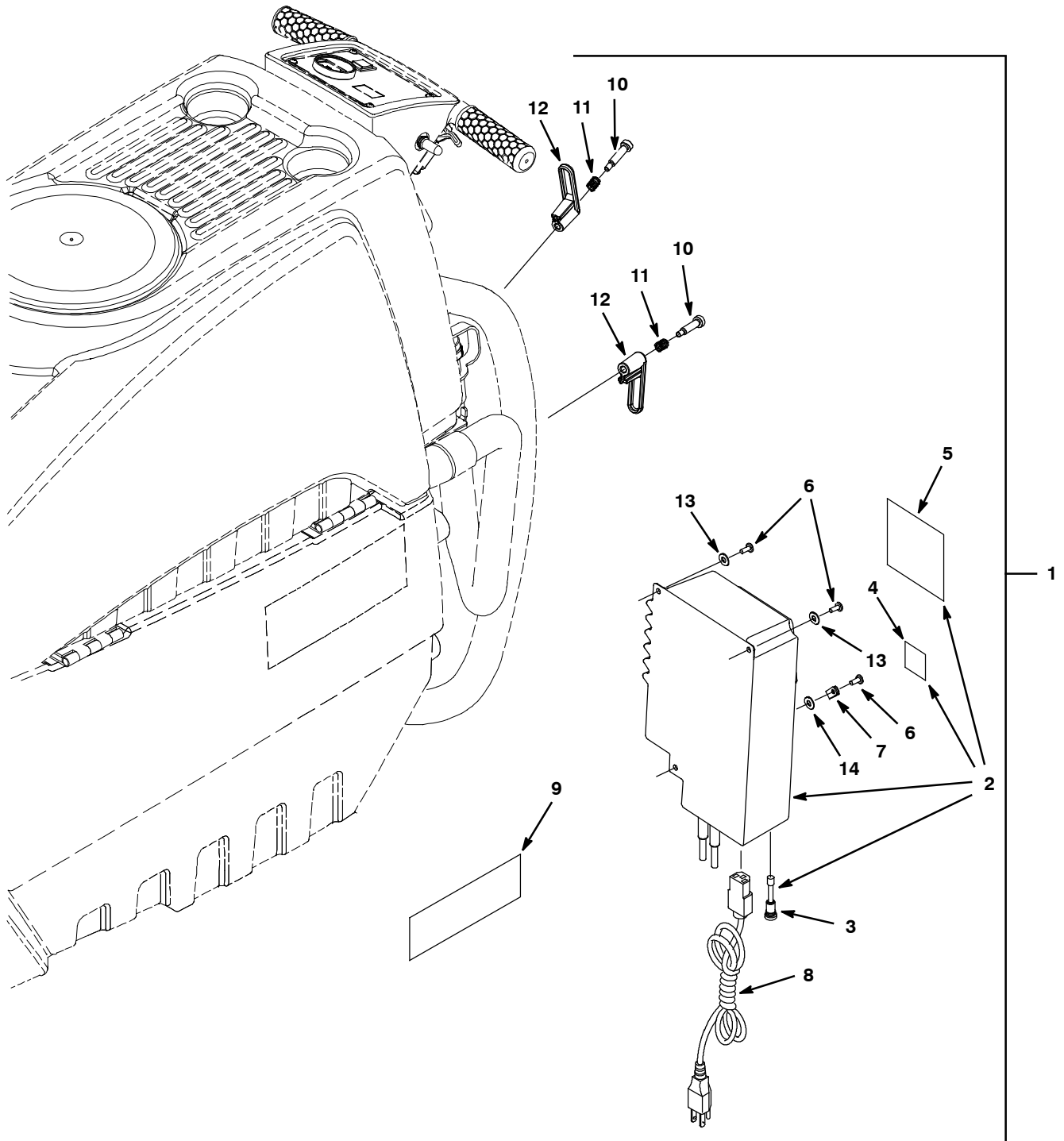
ON-BOARD CHARGER GROUP - 120V (S/N 10409250-)

Ref.	Part No.	Serial Number	Description	Qty.
▽	9005738	(10409250- 20000000)	Charger Kit, 24vdc, 120vac, Ci [Ss5] (For Models With Out Iris Telemetry Battery Manager Functionality)	1
▲▽	1 1050399	(10409250- 20000000)	Charger, 120vac [Onboard] (For Models With Out Iris Telemetry Battery Manager Functionality)	1
▲▲	2 1030692	(10000000- 20000000)	Vr, Fuse, 15a, Replmt (For Chargers With External Fuse Replacement On Bottom Of Charger)	1
▲▲	3 578768	(10000000- 20000000)	Label, Hzrd, [Hazardous Voltage] Txtls	1
▲▲	4 1025158	(10000000- 20000000)	Label, Charger, Afmkt	1
▲▲	5 578144000	(10000000- 20000000)	Screw, Pan, M5 X 0.80 X 16, Pozi, Ss	3
▲▲	6 605387	(10000000- 20000000)	Connector, Anderson, 050a, Red [W/O Con]	1
▲	7 01684	(10000000- 20000000)	Washer, Flat, 0.27b 0.69d .05, Ss	1
▲	8 1025642	(10000000- 20000000)	Cord, Power, 16/3, 4.5 Meters, Blk [Us]	1
▲	9 1028175	(10000000- 20000000)	Label, Instr [Charger Setting]	1
▲	10 1051362	(10409250- 20000000)	Label, Instr, Charge	1
▲	11 579211	(10409250- 20000000)	Nut, Hex, Lock, M3 X 0.50, NI, Ss	2
▲	12 1049592	(10409250- 20000000)	Bracket, Mtg	1
▲	13 01684	(10409250- 20000000)	Washer, Flat, 0.27b 0.69d .05, Ss	2
▲	14 11329	(10409250- 20000000)	Screw, Hex, M6 X 1.00 X 16, NI, Ss	2
▲	15 603331	(10409250- 20000000)	Spacer, Plug, Chrgr	1
▲▽	16 1049591	(10409250- 20000000)	Harness, Cable, Battery, W/ Handle	1
▲▲	1049583	(10409250- 20000000)	Handle, Connector [Anderson Smh] (Includes Mtg Hardware)	1
▲▲	605387	(10409250- 20000000)	Connector, Anderson, 050a, Red [W/O Con]	1
▲	17 33933	(10409250- 20000000)	Screw, Pan, Phl, M3 X 0.50 X 25, Ss	2
▲	18 06945	(10409250- 20000000)	Screw, Hex, M6 X 1.00 X 30, 8.8	2
▲	19 01684	(10409250- 20000000)	Washer, Flat, 0.27b 0.69d .05, Ss	2
▲	20 1049610	(10409250- 20000000)	Hook, Cord	1
▲	21 26395- 2	(10000000- 20000000)	Clamp, Cable, Stl, 0.38d X 0.38w, 1h	1
▲	22 1032763	(10558135- 20000000)	Gasket, Stand, Support	1
▲	23 08713	(10558135- 20000000)	Nut, Hex, Lock, M8 X 1.25, NI, Ss	1
▲	24 140027	(10558135- 20000000)	Washer, Flat, 0.35b 0.75d .04, Ss	2
▲	25 222460	(10558135- 20000000)	Sleeve, P/M, 0.32b 0.50d 0.5l [430ss]	1
▲	26 1022399	(10558135- 20000000)	Support, Tank, Prop, Blk, Nyl	1
▲	27 1039118	(10558135- 20000000)	Screw, Btn, M8 X 1.25 X 30, Blk	1
▲	28 130773	(10000000- 20000000)	Tie, Cable, Nyl, 11.0l, .14w, 3.0 Max. D	6
▲	29 605387	(10000000- 20000000)	Connector, Anderson, 050a, Red [W/O Con]	1
▲	30 130040	(10000000- 20000000)	Tie, Cable, Nyl, 06.0l .12w	4

▽ ASSEMBLY

▲ INCLUDED IN ASSEMBLY

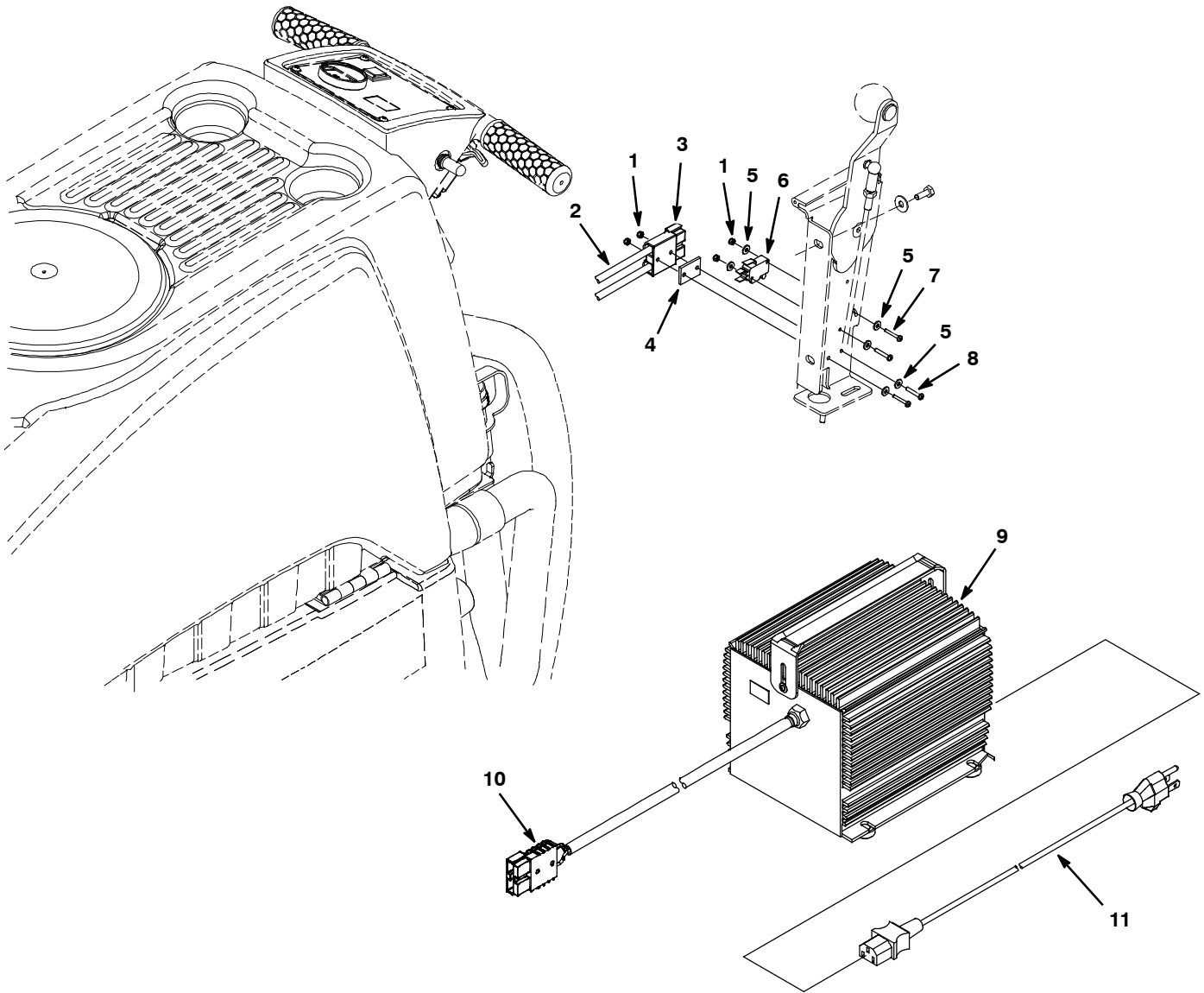
ON-BOARD CHARGER GROUP - 120V (S/N 1000000- 10409249)



ON-BOARD CHARGER GROUP - 120V (S/N 10000000- 10409249)

Ref.	Part No.	Serial Number	Description	Qty.
1	N/A	(10000000- 10409249)	Charger Kit, Battery, Ci [120v Ss T5e] (Replaced By Kit 9005738)	1
2	N/A	(10000000- 10409249)	Charger, 120vac [Onboard] (Replaced By Kit 9005738)	1
3	1030692	(10000000- 20000000)	Vr, Fuse, 15a, Replmt (For Chargers With External Fuse Replacement On Bottom Of Charger)	1
4	578768	(10000000- 20000000)	Label, Hzrd, [Hazardous Voltage] Txtls	1
5	1025158	(10000000- 20000000)	Label, Charger, Afmkt	1
6	578144000	(10000000- 20000000)	Screw, Pan, M5 X 0.80 X 16, Pozi, Ss	3
7	26395- 2	(10000000- 20000000)	Clamp, Cable, Stl, 0.38d X 0.38w, 1h	1
8	1025642	(10000000- 20000000)	Cord, Power, 16/3 X 4.5 Meters, Blk [Us]	1
9	1028175	(10000000- 20000000)	Label, Instr [Charger Setting]	1
10	1024965	(10000000- 20000000)	Bolt, Shld, 8mmd X 30, M6x1.0	2
11	611311	(10000000- 20000000)	Spring, Cmpr, 10.9d, 1.1w, 12.7l Mw Zn	2
12	610906	(10000000- 20000000)	Hook, Cord Viper	2
13	01683	(10000000- 20000000)	Washer, Flat, 10, Ss	2
14	01684	(10000000- 20000000)	Washer, Flat, 0.27b 0.69d .05, Ss	1

OFF-BOARD CHARGER GROUP



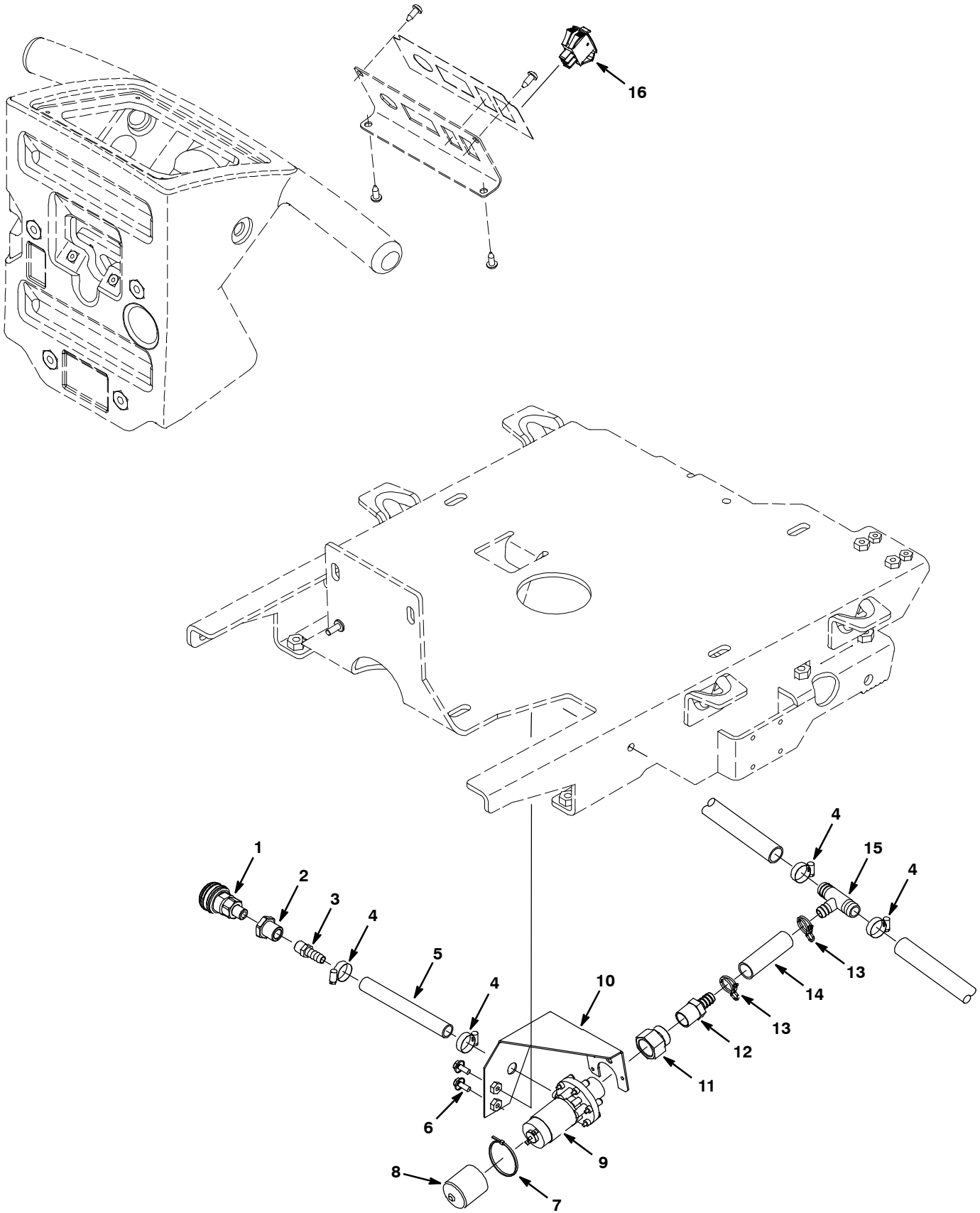
OFF- BOARD CHARGER GROUP

Ref.	Part No.	Serial Number	Description	Qty.
	1	579211	(10000000- 20000000) Nut, Hex, Lock, M3 X .5, Ss	4
▽	2	1073276	(10722199- 20000000) Harness, Chrgr [Ss5]	1
▲	3	605387	(10000000- 20000000) Connector, 50a, Red W/O Contact[Anderson	1
▽	2	1027096	(10000000- 10722198) Harness, Chrgr	1
▲	3	605387	(10000000- 20000000) Connector, 50a, Red W/O Contact[Anderson	1
	4	603331	(10000000- 20000000) Spacer, Chrgr Plug	1
	5	41578	(10000000- 20000000) Washer, Flat, #06, Ss	6
	6	611005	(10000000- 20000000) Switch, Rlr, 16a, Micro	1
	7	06922	(10000000- 20000000) Screw, Pan, M3 X 0.5 X 20, 4.8	2
	8	33933	(10000000- 20000000) Screw, Pan, M3 X 0.5 X 25, Ss	2
▽	9	1029256	(10000000- 20000000) Charger, 24vdc, 19a Var Vac 1ph 50/60hz	1
▲	10	605387	(10000000- 20000000) Connector, Anderson, 50a,Red W/O Contact	1
▲	11	1017079	(10000000- 20000000) Cord, Extn, 16ga /3, 010ft [Sjt]	1

▽ ASSEMBLY

▲ INCLUDED IN ASSEMBLY

WAND PUMP KIT



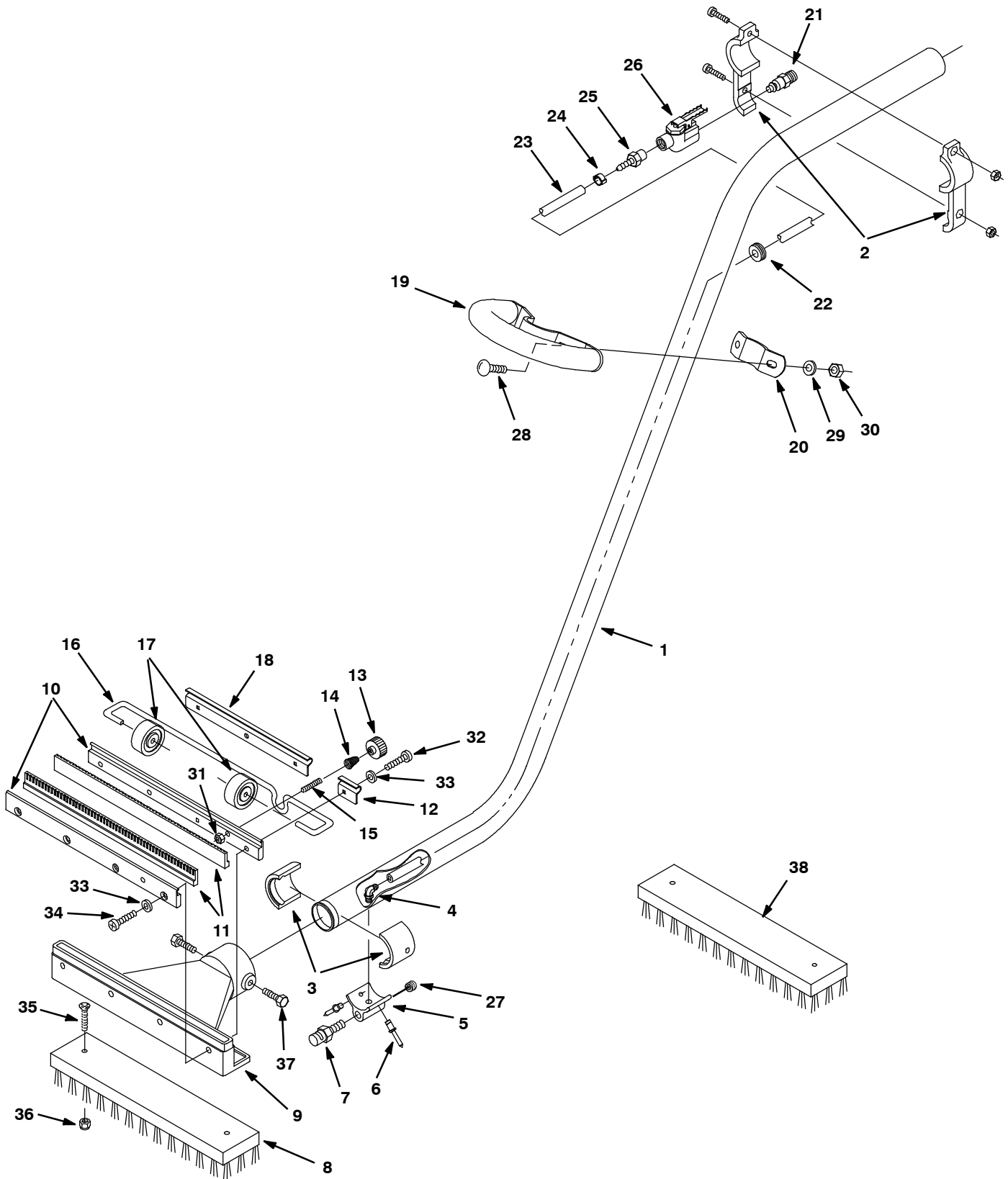
WAND PUMP KIT

Ref.	Part No.	Serial Number	Description	Qty.
▽	9003399	(10000000- 20000000)	Pump Kit, Wand, Power, Ci [Ss5, T5e]	1
▲	1 608292	(10000000- 20000000)	Connection, Quick, Fem .375" X .25" Npt	1
▲	2 78122	(10000000- 20000000)	Fitting, Brs, Str, Pf04/Pf04, Bh	1
▲	3 150516	(10000000- 20000000)	Fitting, Brs, Str, Pm04/Bm06	1
▲	4 54333	(10000000- 20000000)	Clamp, Hose, Wormdrive, 0.31- 0.88d, .31w	4
▲	5 575501000	(10000000- 20000000)	Hose 3/8idx5/8odx8" (376720)	1
▲	6 1034731	(10000000- 20000000)	Screw, Hex, M6 X 1.00 X 16, Ss, Sems	2
▲	7 130773	(10000000- 20000000)	Tie, Cable, Nyl, 11.0l, .14w, 3.0 Max. D	2
▲	8 605064	(10000000- 20000000)	Cap, Vinyl, 1.38 D 1.6l	1
▲	9 630136	(10000000- 20000000)	Pump, Soltn, Ele, 24vdc, 3116" Term 3/4"	1
▲	10 1023515	(10000000- 20000000)	Bracket, Mtg, Pump, Wand	1
▲	11 150017	(10000000- 20000000)	Fitting, Brs, Str, Pf08/Pf12, Cplg[Redr]	1
▲	12 1023581	(10000000- 20000000)	Fitting, Plstc, Str, Bm08/Pm08, Nyl	1
▲	13 607776	(10000000- 20000000)	Clamp, Hose, Wir, .73 - .77, Silver	2
▲	14 613521	(10000000- 20000000)	Hose, Pvc, Clr, 0.50id 0.75od 012.0l	1
▲	15 1015486	(10000000- 20000000)	Fitting, Plstc, Tee, Bm08/Bm10/Bm10, Br	1
▲	16 130787	(10000000- 20000000)	Switch, Rocker, Spdt	1
▲	N/S 1026870	(10000000- 20000000)	Harness, Wand	1

▽ ASSEMBLY

▲ INCLUDED IN ASSEMBLY

DELUXE POWER WAND GROUP



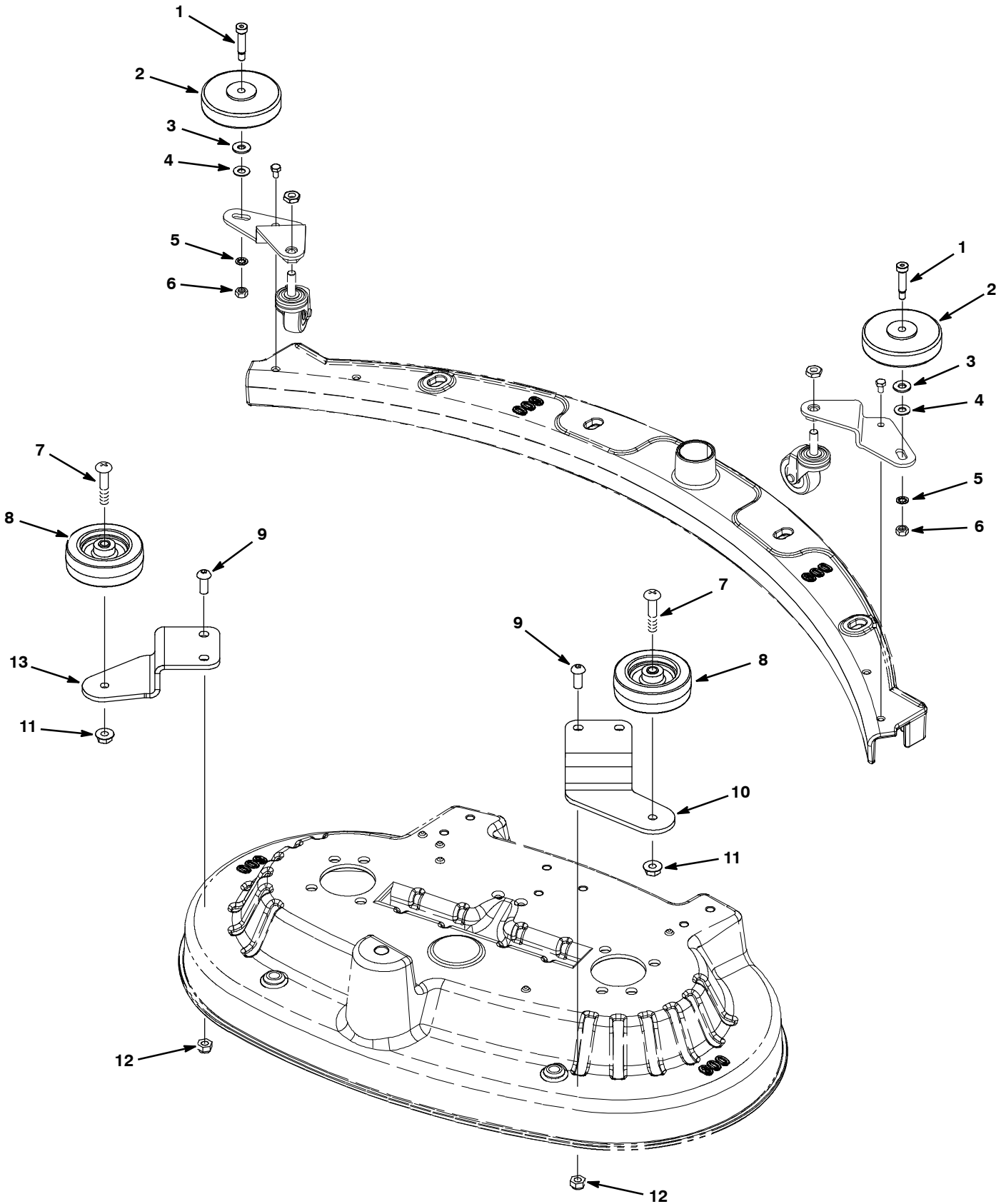
DELUXE POWER WAND GROUP

Ref.	Part No.	Serial Number	Description	Qty.
▽	65340	(10000000- 20000000)	Wand Assy, Power	1
▲	1 578060000	(10000000- 20000000)	Wand, Dbl Bend, 38.1mmd	1
▲	2 578077000	(10000000- 20000000)	Bracket Valve Mounting Wand	1
▲	3 578061000	(10000000- 20000000)	Adapter, Head / Wand	2
▲	4 1037595	(10000000- 20000000)	Fitting, Plstc, E90, Bm04/Pm02, Nyl	1
▲	5 579112	(10000000- 20000000)	Fitting Spray Nozzle Adapter	1
▲	6 602036000	(10000000- 20000000)	Rivet, Blind	2
▲	7 578066000	(10000000- 20000000)	Fitting, Brs, Tip [75, .125k- Jet]	1
▲	8 65610	(10000000- 20000000)	Brush, Power Wand, W/ Fastener, Pyp	1
▲	9 578063000	(10000000- 20000000)	Head, Wand	1
▲	10 578078000	(10000000- 20000000)	Retainer, Sqge, Wand	2
▲	11 578074000	(10000000- 20000000)	Blade, Sqge, 300.8mml, Wand	2
▲	12 578124000	(10000000- 20000000)	Bracket,Axle,1hole	1
▲	13 578439	(10000000- 20000000)	Nut, Thumb, M6 X 1.0, 30d	1
▲	14 613732	(10000000- 20000000)	Spring, Cmpr, Conical 15mm	1
▲	15 578143000	(10000000- 20000000)	Screw, Set, M6 X 1.0 X 40, Cuppt, Ss	1
▲	16 578126000	(10000000- 20000000)	Axle,Wand	1
▲	17 578125000	(10000000- 20000000)	Wheel, 41.3d, 19.1w, Rbr	2
▲	18 578123000	(10000000- 20000000)	Bracket,Axle,3hole	1
▲	19 578155000	(10000000- 20000000)	Handle Wldt, Wand	1
▲	20 578154000	(10000000- 20000000)	Bracket Handle Wand	1
▲	21 578091000	(10000000- 20000000)	Fitting, Brs, Qdc, Pm04, Plug	1
▲	22 578164000	(10000000- 20000000)	Grommet,0.38"Id,0.62"Gd,.06"Gw	1
▲	23 578821000	(10000000- 20000000)	Hose 1/4id X 3/8od X 1.22m	1
▲	24 578161000	(10000000- 20000000)	Clamp, Hose, Ear, 8- 11mm, Ss	1
▲	25 578094000	(10000000- 20000000)	Fitting, Nyl, Str, Pm04/Bm04	1
▲	26 578064000	(10000000- 20000000)	Valve, Cntrl, Water	1
▲	27 150208	(10000000- 20000000)	Fitting, Brs, Str, Pm02, Plug [Skhd]	1
▲	28 20399	(10000000- 20000000)	Bolt, Carriage, .25- 20 X 0.75	2
▲	29 200304017	(10000000- 20000000)	Washer, Flat, M6.4 X 13 X 1.6, Pl	2
▲	30 41169	(10000000- 20000000)	Nut, Hex, Lock, .25- 20, NI, Ss	2
▲	31 07785	(10000000- 20000000)	Nut, Hex, Std, M6 X 1.0, A2, Ss	1
▲	32 1026454	(10000000- 20000000)	Screw, Pan, M5 X 0.8 X 10, Ss	4
▲	33 07514	(10000000- 20000000)	Washer, Lock, Int, #10, Ss	8
▲	34 578144000	(10000000- 20000000)	Screw, Pan, M5 X 0.8 X 16,Phl,Ss,Dn7985a	4
▲	35 578566	(10000000- 20000000)	Screw 4x30 Fltphl Ss	2
▲	36 33932	(10000000- 20000000)	Nut, Hex, Lock, M4 X 0.7, NI, Ss	2
▲	37 140885	(10000000- 20000000)	Screw, Trs, .25- 20 X 0.50, Phl, Ss	2
▲	38 65582	(10000000- 20000000)	Brush, Power Wand, W/ Fastener, Abr (Optional)	1

▽ ASSEMBLY

▲ INCLUDED IN ASSEMBLY

BUMPER WHEEL KIT



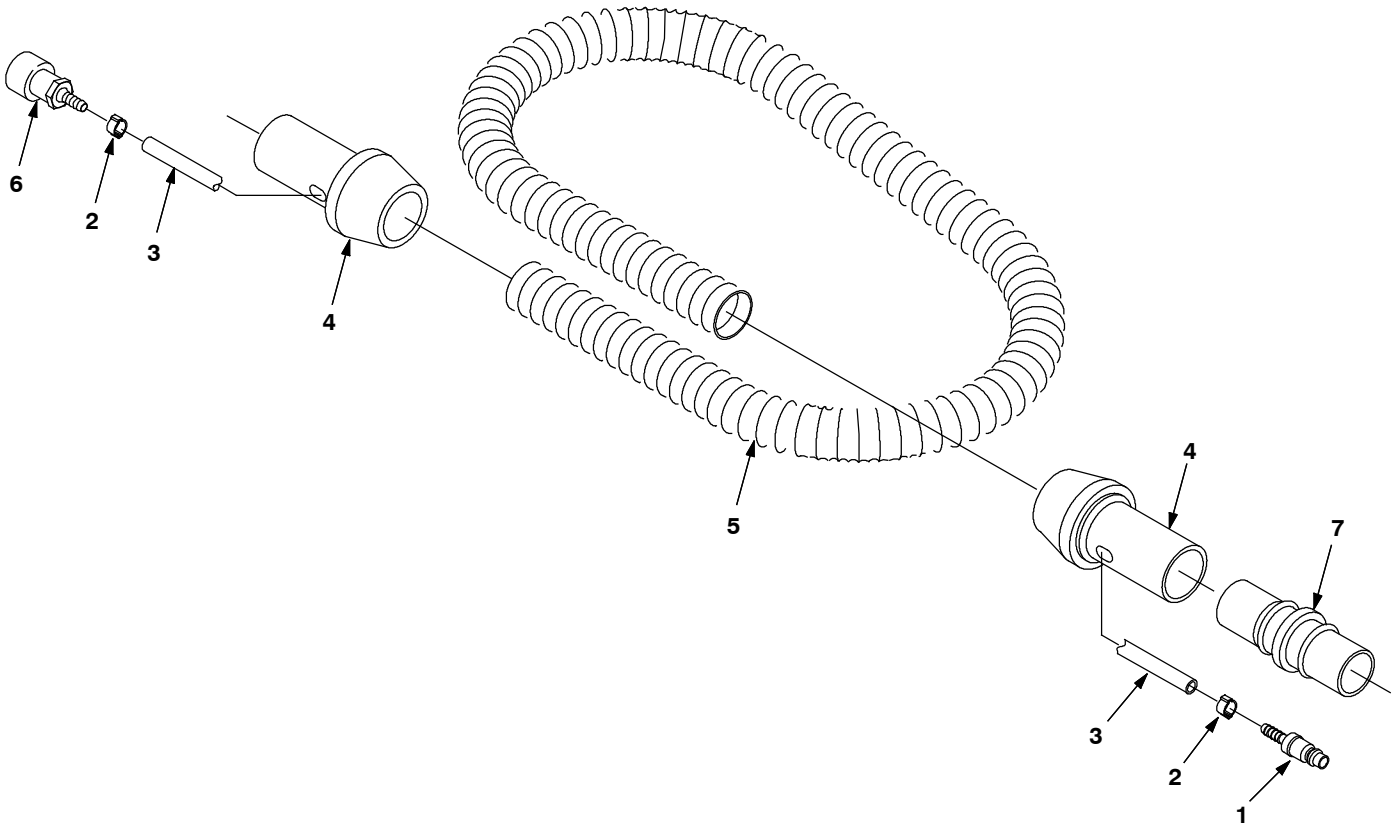
BUMPER WHEEL KIT

	Ref.	Part No.	Serial Number	Description	Qty.
▽		9004459	(10000000- 20000000)	Wheel Kit, Bumper, Retrofit [T5]	1
▲	1	600187	(10000000- 20000000)	Bolt, Shld, .38d X 1.25, .31- 18	2
▲	2	614317	(10000000- 20000000)	Wheel, 04.0d 1.00w 0.38b, Rbr, Gray	2
▲	3	01685	(10000000- 20000000)	Washer, Flat, 0.38b 0.88d .08, Ss	2
▲	4	069762311	(10000000- 20000000)	Washer, Flat, M7.9b X 19d X 1.7 Ss	2
▲	5	43952	(10000000- 20000000)	Washer, Lock, Int, 0.31, Ss	2
▲	6	140506	(10000000- 20000000)	Nut, Hex, Std, .31- 18, Ss	2
▲	7	606983	(10000000- 20000000)	Screw, Trs, M8 X 1.25 X 40, Phl, Pl	2
▲	8	1014918	(10000000- 20000000)	Wheel, 03.0d 0.88w 0.31b, W/ Bshg, Rbr	2
▲	9	393135	(10000000- 20000000)	Screw, Btn, M8 X 1.25 X 20, Blk	4
▲	10	1023268	(10000000- 20000000)	Bracket, Roller, Wall, Scb Head, 70cm	1
▲	11	07791	(10000000- 20000000)	Nut, Hex, Flng, M8 X 1.25	2
▲	12	08713	(10000000- 20000000)	Nut, Hex, Lock, M8 X 1.25, Nl, Ss	4
▲	13	1022344	(10000000- 20000000)	Bracket, Roller, Wall, Scb Head, 60cm	1

▽ ASSEMBLY

▲ INCLUDED IN ASSEMBLY

POWER WAND HOSE GROUP

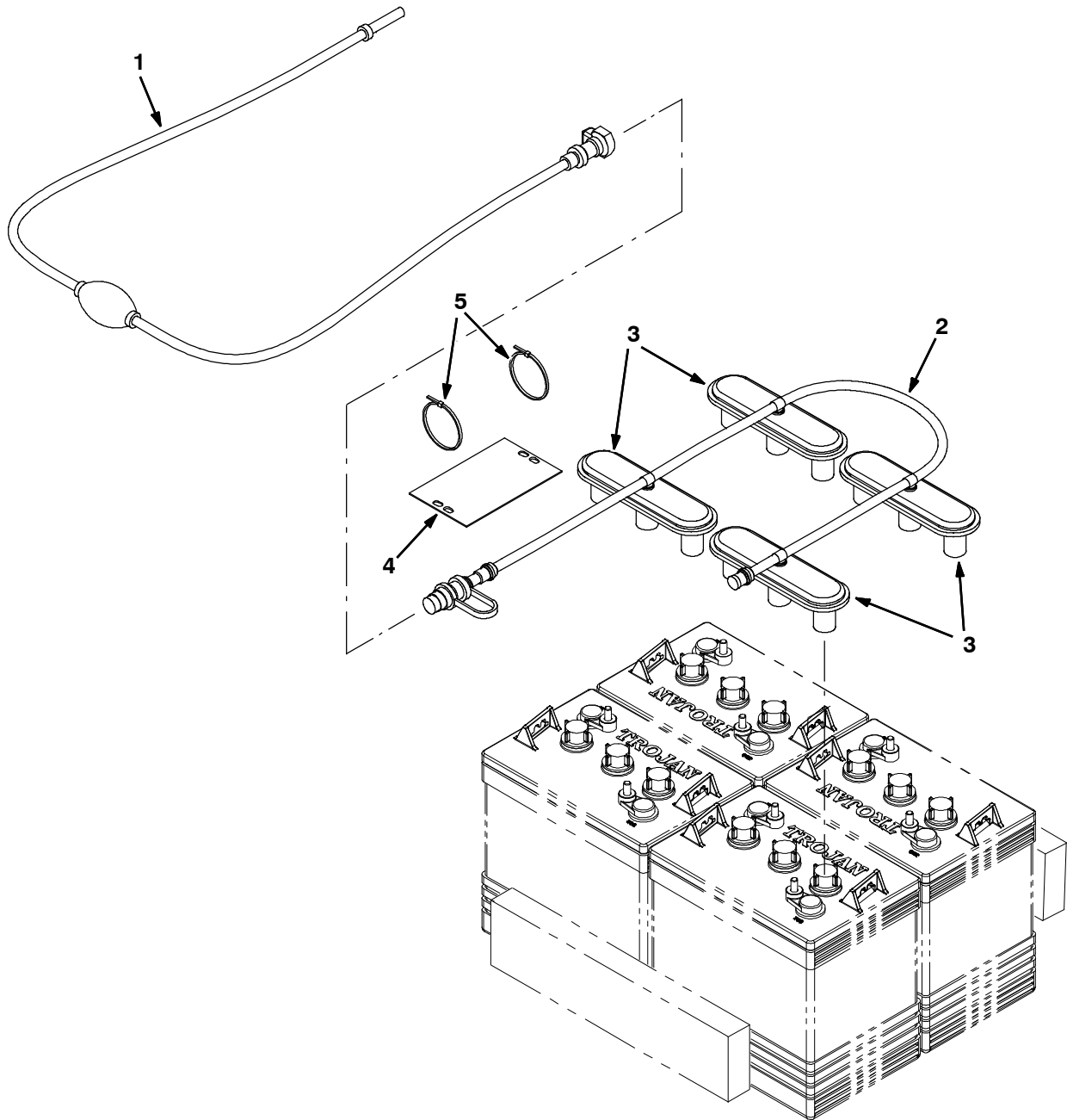


Ref.	Part No.	Serial Number	Description	Qty.
▽	65341	(10000000-20000000)	Hose Assy, Wand, Power	1
▲ 1	578318000	(10000000-20000000)	Fitting, Stl, Qdc, Bm04	1
▲ 2	578160000	(10000000-20000000)	Clamp, Hose, Ear, 11- 13mm, Ss	2
▲ 3	578820000	(10000000-20000000)	Hose, Pvc, 0.25id X 157l	1
▲ 4	578072000	(10000000-20000000)	Cuff, Swivel, 1.5 Blk	2
▲ 5	1052212	(10000000-20000000)	Hose, Vacuum, 1.50id X 10ft, Gray	1
▲ 6	578071000	(10000000-20000000)	Fitting, Brs, Qdc, Bm04/Pf04	1
7	12694	(10000000-20000000)	Fitting, Plstc, Str, Bm24/Bm24	1

▽ ASSEMBLY

▲ INCLUDED IN ASSEMBLY

HYDROLINK® BATTERY WATERING SYSTEM KIT



Ref.	Part No.	Serial Number	Description	Qty.
▽	9010300	(10000000- 20000000)	Watering Kit, Battery, 24vdc, Ci [Trojan]	1
▲	1	1058939	(10000000- 20000000) Kit, Pump, Fill, Battery	1
▲	2	1229544	(10000000- 20000000) Tube, Water, Battery, 24vdc [Trojan]	1
▲	3	1204142	(10000000- 20000000) Cap, Watering, Battery [Trojan]	4
▲	4	1071084	(10000000- 20000000) Label, Tag, Battery [Hydrolink Watering]	1
▲	5	130773	(10000000- 20000000) Tie, Cable, Nyl, 11.0l, .14w, 3.0 Max. D	2

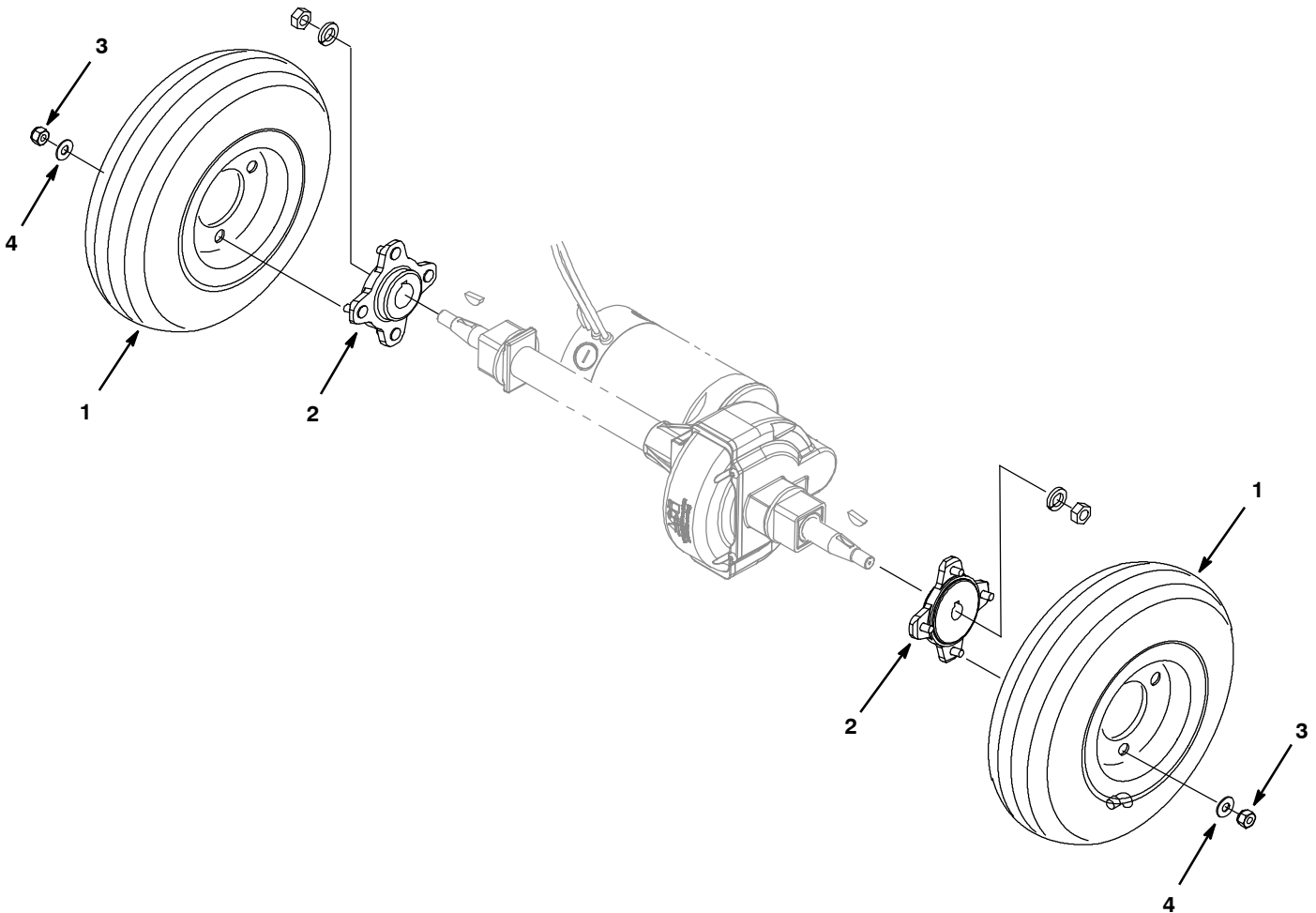
▽ ASSEMBLY

▲ INCLUDED IN ASSEMBLY

*THIS KIT IS INTENDED FOR USE WITH TROJAN® LEAD ACID BATTERIES ONLY.

HYDROLINK® IS A REGISTERED TRADEMARK OF TROJAN® BATTERY COMPANY.

OPTIONAL WHEEL KIT



Ref.	Part No.	Serial Number	Description	Qty.
▽	9004903	(10000000- 20000000)	Wheel Kit, Pneumatic, Ci [T5 T5e Ss5]	1
▲	1 1059452	(10000000- 20000000)	Tire Assy, Pneu, Grey, 2.8/2.5- 04 2.75bc	2
▲	2 1048125	(10000000- 20000000)	Hub, Wheel [Tapered Shaft]	2
▲	3 08712	(10000000- 20000000)	Nut, Hex, Lock, M6 X 1.00, NI, Ss	8
▲	4 140000	(10000000- 20000000)	Washer, Flat, 0.28b 0.62d .04, Ss	8
▽	9004904	(10000000- 20000000)	Wheel Kit, Foam Filled, Ci [T5 T5e Ss5]	1
▲	1 1068472	(10000000- 20000000)	Tire Assy, Foam, Hi- Dns, Grey, 2.8/2.5- 04	2
▲	2 1048125	(10000000- 20000000)	Hub, Wheel [Tapered Shaft]	2
▲	3 08712	(10000000- 20000000)	Nut, Hex, Lock, M6 X 1.00, NI, Ss	8
▲	4 140000	(10000000- 20000000)	Washer, Flat, 0.28b 0.62d .04, Ss	8

▽ ASSEMBLY

▲ INCLUDED IN ASSEMBLY

