



Squeegee Lift/Mount Bracket Kit

Models: T300, T300e, Speed Scrub 300, A300



NOTICE: Carefully follow the installation instructions to prevent potential damage to micro-switch.

INSTALLATION INSTRUCTIONS:

Installation Time: .5 Hours

Tools Required: 10mm Wrench, 17mm Socket Wrench, 5mm Allen Wrench, Small Philips Screwdriver

FOR SAFETY: Before servicing machine, stop on level surface, turn off machine, and set parking brake if equipped.

1. Remove squeegee from squeegee mount bracket.
2. Lower the squeegee mount bracket to floor. Using a 17mm socket wrench, remove nut from pivot stud. Disconnect the wire connector from micro-switch (Figure 1).

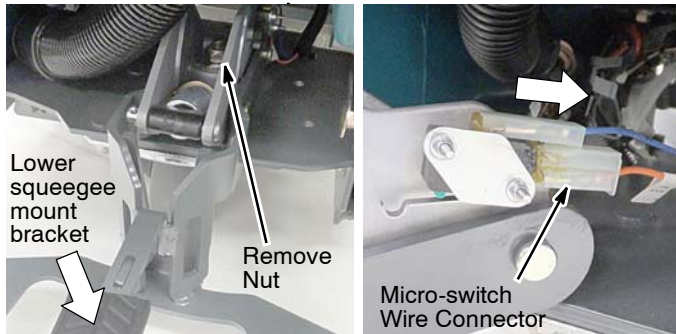


Fig. 1

3. Remove the micro-switch and the stop screw from the squeegee lift bracket (Figure 2)

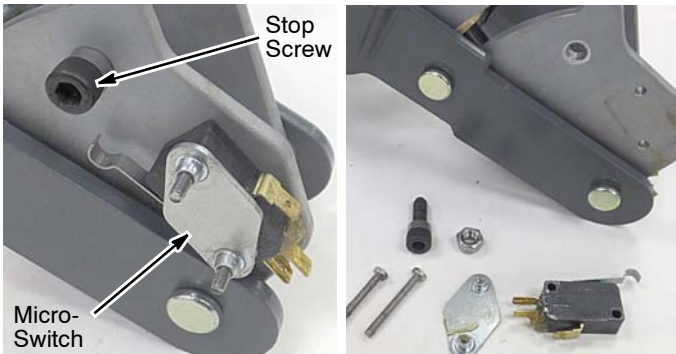


Fig. 2

4. Relieve the spring tension by pressing the squeegee lift bracket inward (Figure 3).



Before

After

Fig. 3

5. Disassemble the squeegee mount bracket from the lift bracket by removing two clevis pins (Figure 4). If replacing the squeegee lift bracket, also remove clevis pin with cotter pin.

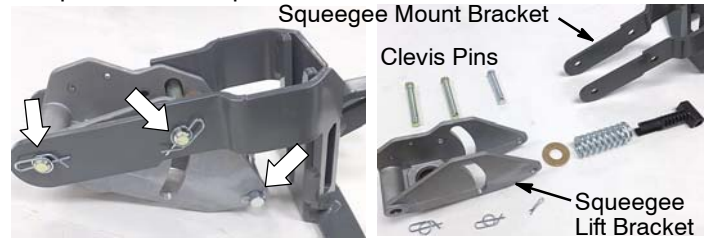


Fig. 4

6. Using new bracket, reassembly the squeegee lift bracket assembly (Figure 5).



Fig. 5

7. Carefully compress the spring by pressing the squeegee lift bracket upward (Figure 6).



Before

After

Fig. 6

8. Re-install the stop screw and micro-switch (Figure 7).

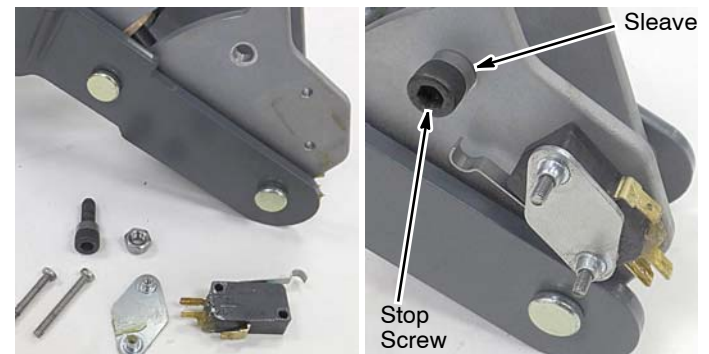
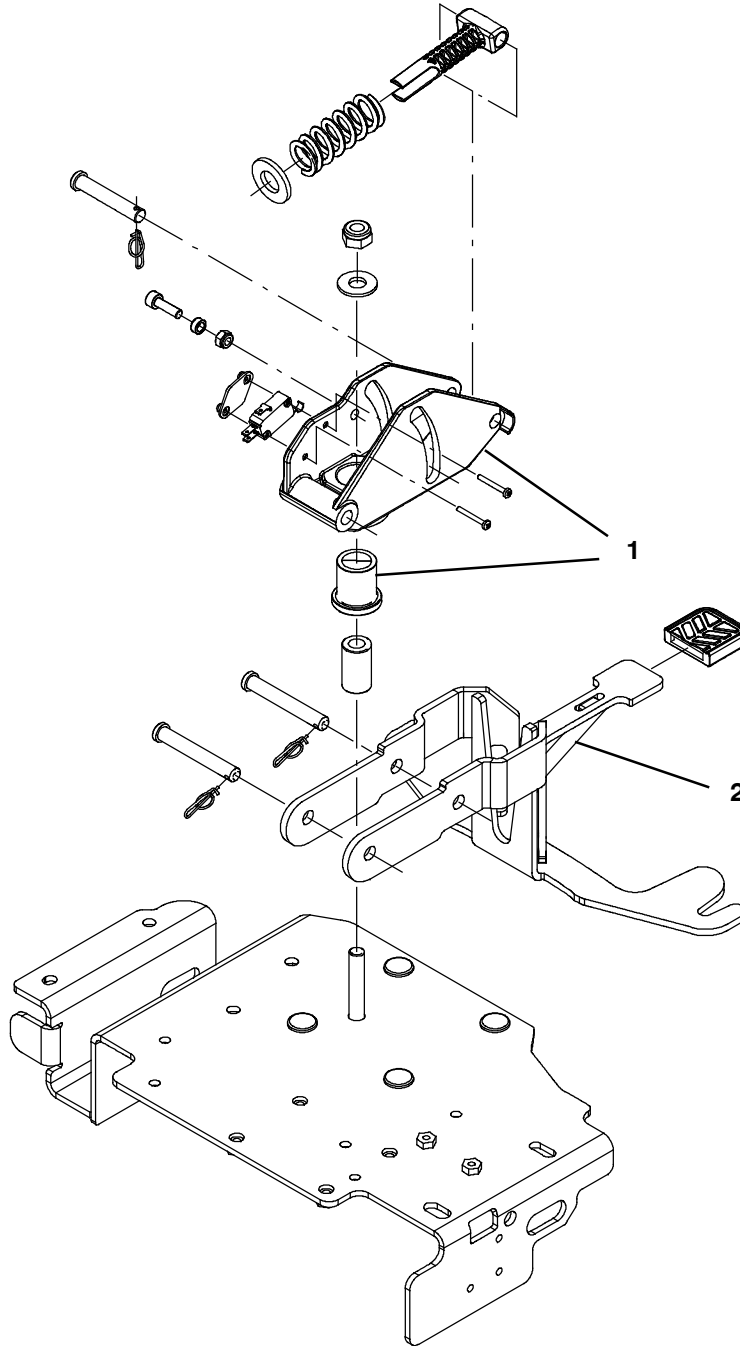


Fig. 7

Squeegee Lift/Mount Bracket Kit



Ref.	Part No.	Description	Qty.
1	9014301	Bracket Kit, Squeegee, Lift	1
2	9014303	Bracket Kit, Squeegee, Mount	1